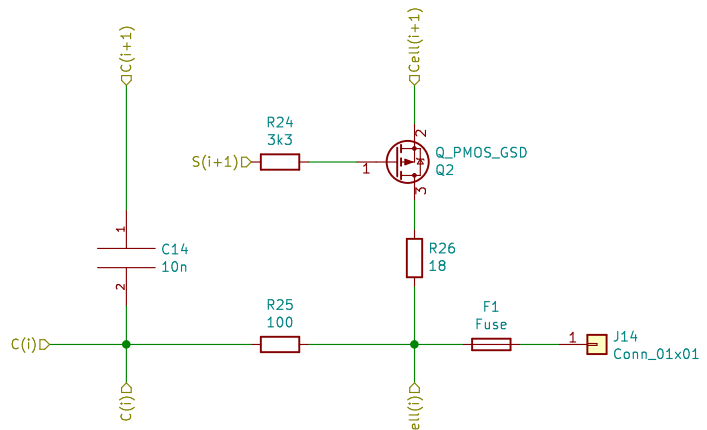


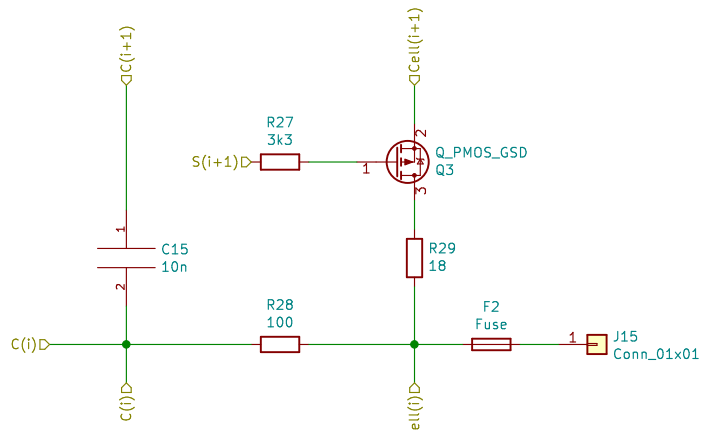
Oscillator schematic symbol uses pin numbers 1 & 2, so the footprint pads were renamed from the default to match the wiring of the specific oscillator used on this iteration.

Sheet: /		Date:	
File: Slave Board.sch		Rev:	
Size: A4	KiCad E.D.A. kicad (5.1.10)-1	Id: 1/13	



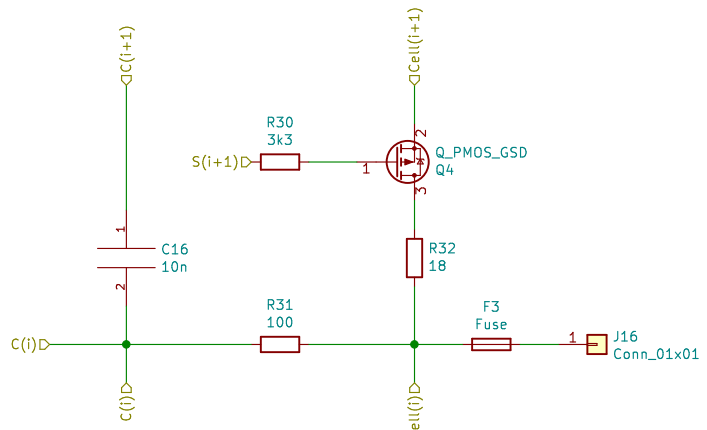
Resistor between C0 and Cell0 is a SC

Sheet: /Sheet5EA81FCC/		
File: BalanceMOS.sch		
<b>Title:</b>		
Size: A4	Date:	<b>Rev:</b>
KiCad E.D.A. kicad (5.1.10)-1		Id: 2/13



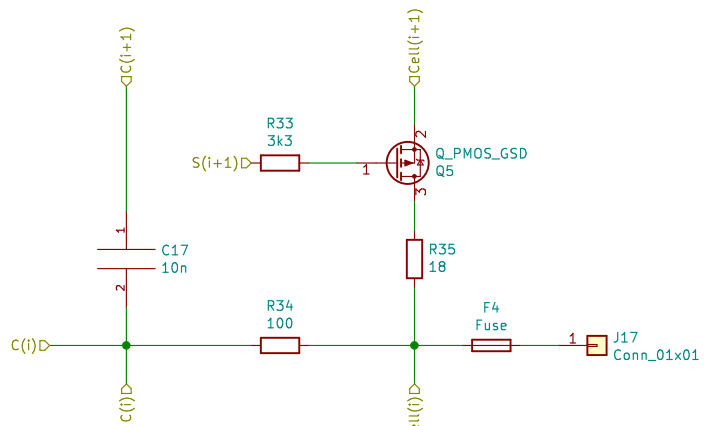
Resistor between C0 and Cell0 is a SC

Sheet: /sheet5EA9D461/		
File: BalanceMOS.sch		
<b>Title:</b>		
Size: A4	Date:	<b>Rev:</b>
KiCad E.D.A. kicad (5.1.10)-1		Id: 3/13



Resistor between C0 and Cell0 is a SC

Sheet: /sheet5EAA062A/		
File: BalanceMOS.sch		
<b>Title:</b>		
Size: A4	Date:	<b>Rev:</b>
KiCad E.D.A. kicad (5.1.10)-1		Id: 4/13



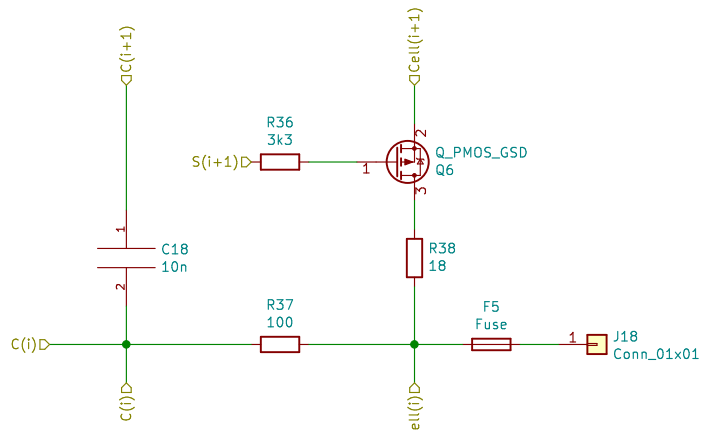
Resistor between C0 and Cell0 is a SC

Sheet: /sheet5EAA2054/  
 File: BalanceMOS.sch

**Title:**

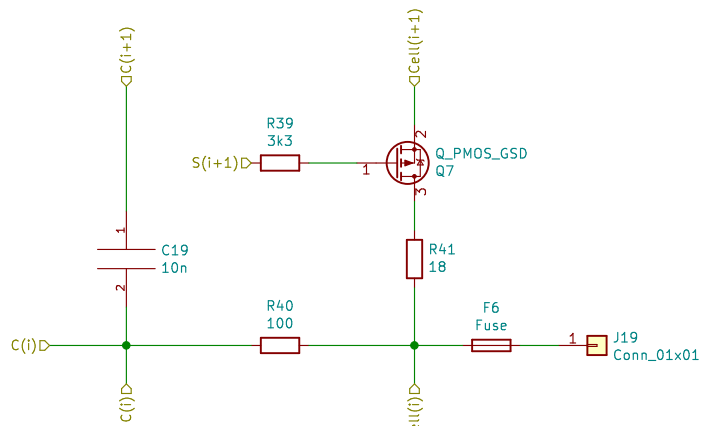
Size: A4 Date:  
 KiCad E.D.A. kicad (5.1.10)-1

**Rev:**  
 Id: 5/13



Resistor between C0 and Cell0 is a SC

Sheet: /sheet5EAA39B8/		
File: BalanceMOS.sch		
<b>Title:</b>		
Size: A4	Date:	<b>Rev:</b>
KiCad E.D.A. kicad (5.1.10)-1		Id: 6/13



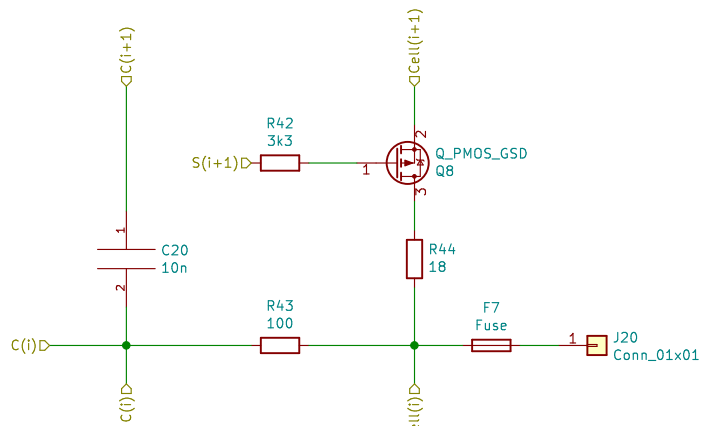
Resistor between C0 and Cell0 is a SC

Sheet: /sheet5EAA521F/  
 File: BalanceMOS.sch

**Title:**

Size: A4 Date:  
 KiCad E.D.A. kicad (5.1.10)-1

**Rev:**  
 Id: 7/13



Resistor between C0 and Cell0 is a SC

Sheet: /sheet5EABD849/  
File: BalanceMOS.sch

**Title:**

Size: A4

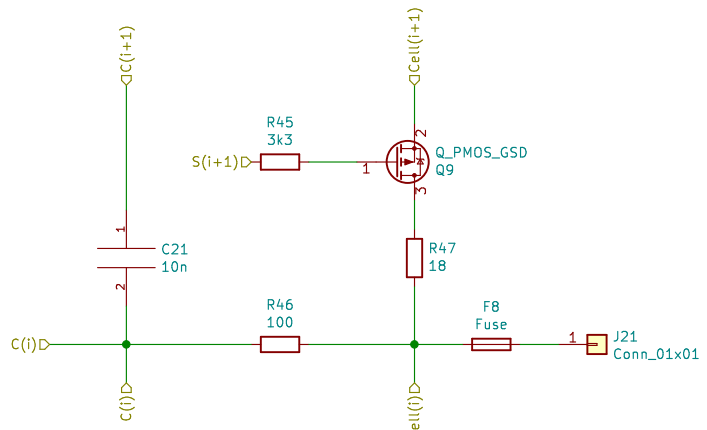
Date:

KiCad E.D.A. kicad (5.1.10)-1

**Rev:**

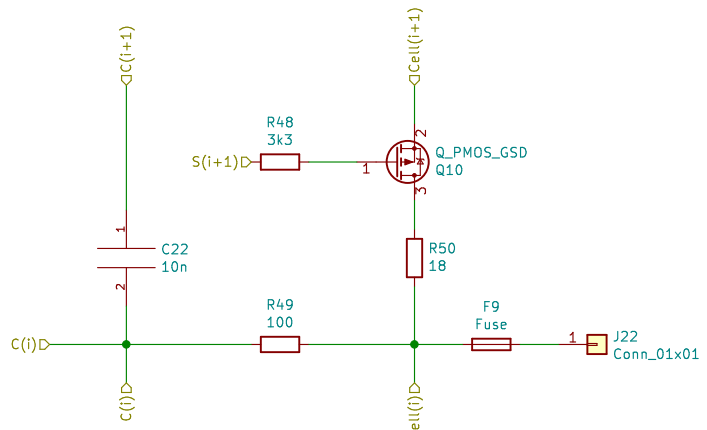
Id: 8/13





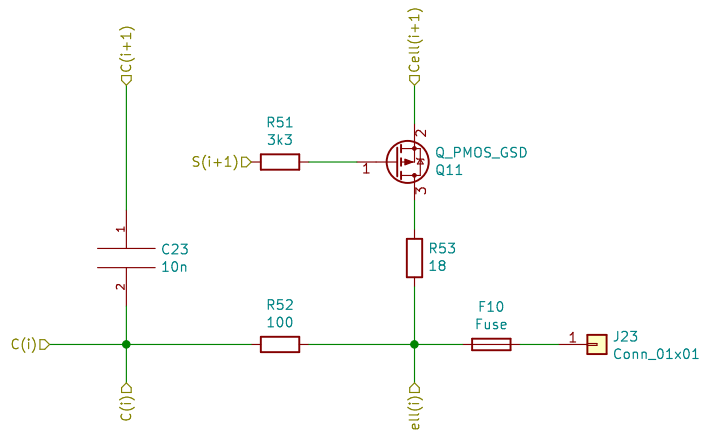
Resistor between C0 and Cell0 is a SC

Sheet: /sheet5EABD84A/		
File: BalanceMOS.sch		
<b>Title:</b>		
Size: A4	Date:	<b>Rev:</b>
KiCad E.D.A. kicad (5.1.10)-1		Id: 9/13



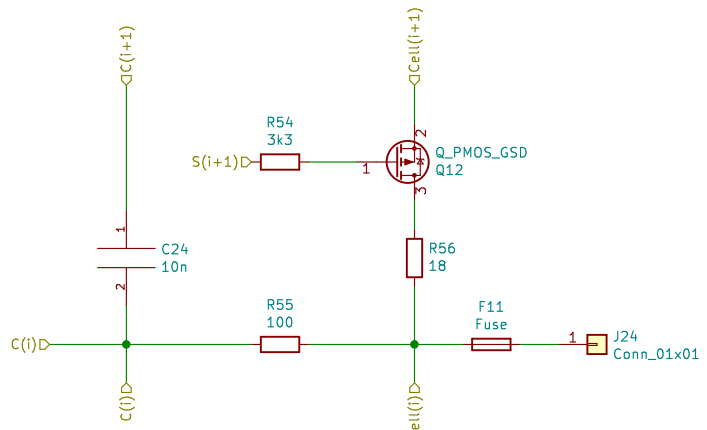
Resistor between C0 and Cell0 is a SC

Sheet: /sheet5EABD84B/		
File: BalanceMOS.sch		
<b>Title:</b>		
Size: A4	Date:	<b>Rev:</b>
KiCad E.D.A. kicad (5.1.10)-1		Id: 10/13



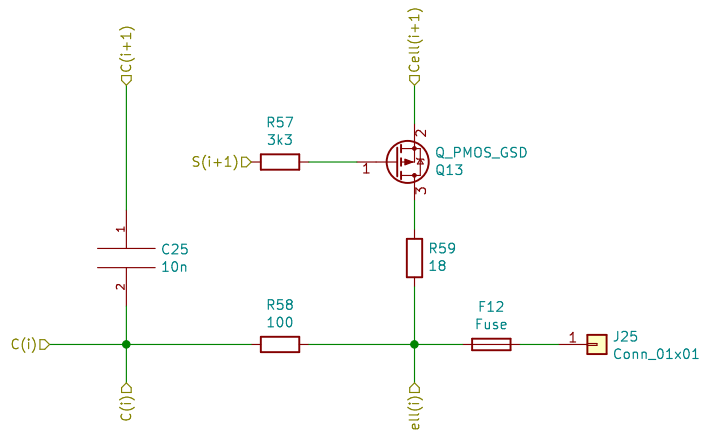
Resistor between C0 and Cell0 is a SC

Sheet: /sheet5EABD84C/		
File: BalanceMOS.sch		
<b>Title:</b>		
Size: A4	Date:	<b>Rev:</b>
KiCad E.D.A. kicad (5.1.10)-1		Id: 11/13



Resistor between C0 and Cell0 is a SC

Sheet: /sheet5EABD84D/		
File: BalanceMOS.sch		
<b>Title:</b>		
Size: A4	Date:	<b>Rev:</b>
KiCad E.D.A. kicad (5.1.10)-1		Id: 12/13



Resistor between C0 and Cell0 is a SC

Sheet: /sheet5EABD84E/		
File: BalanceMOS.sch		
<b>Title:</b>		
Size: A4	Date:	<b>Rev:</b>
KiCad E.D.A. kicad (5.1.10)-1		Id: 13/13