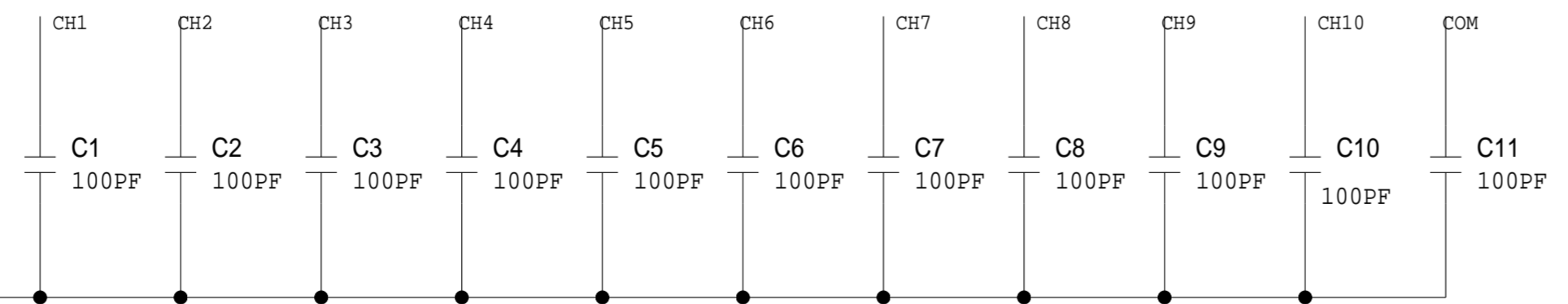
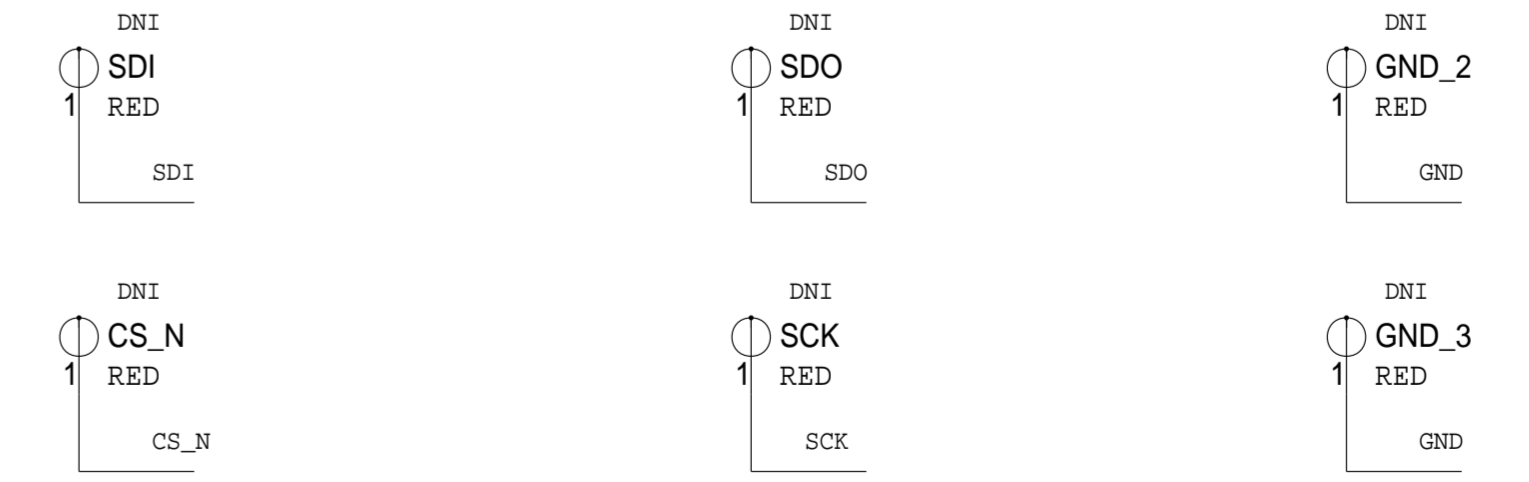
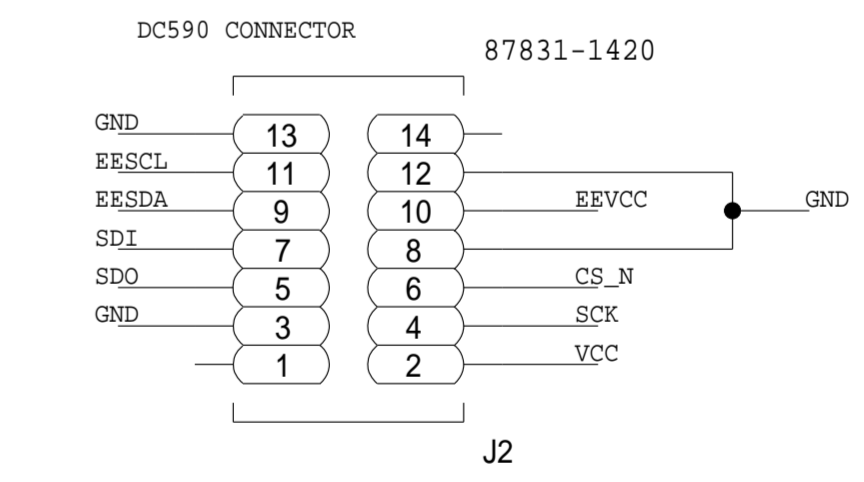
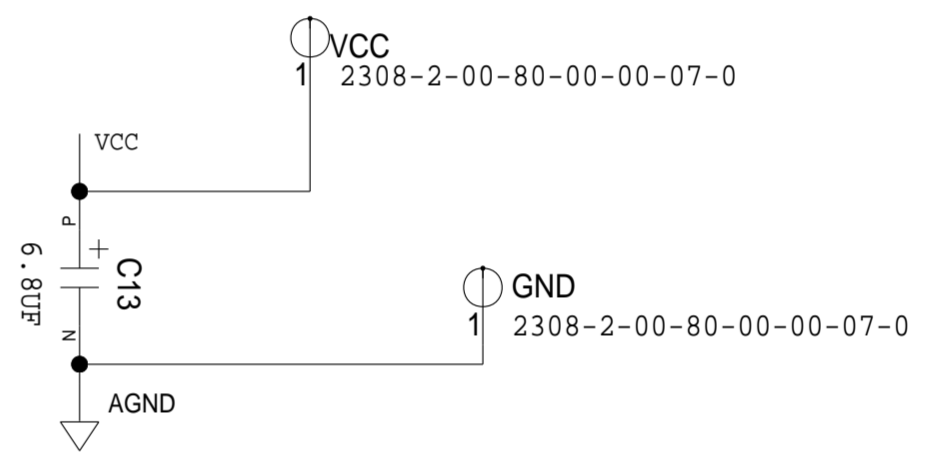
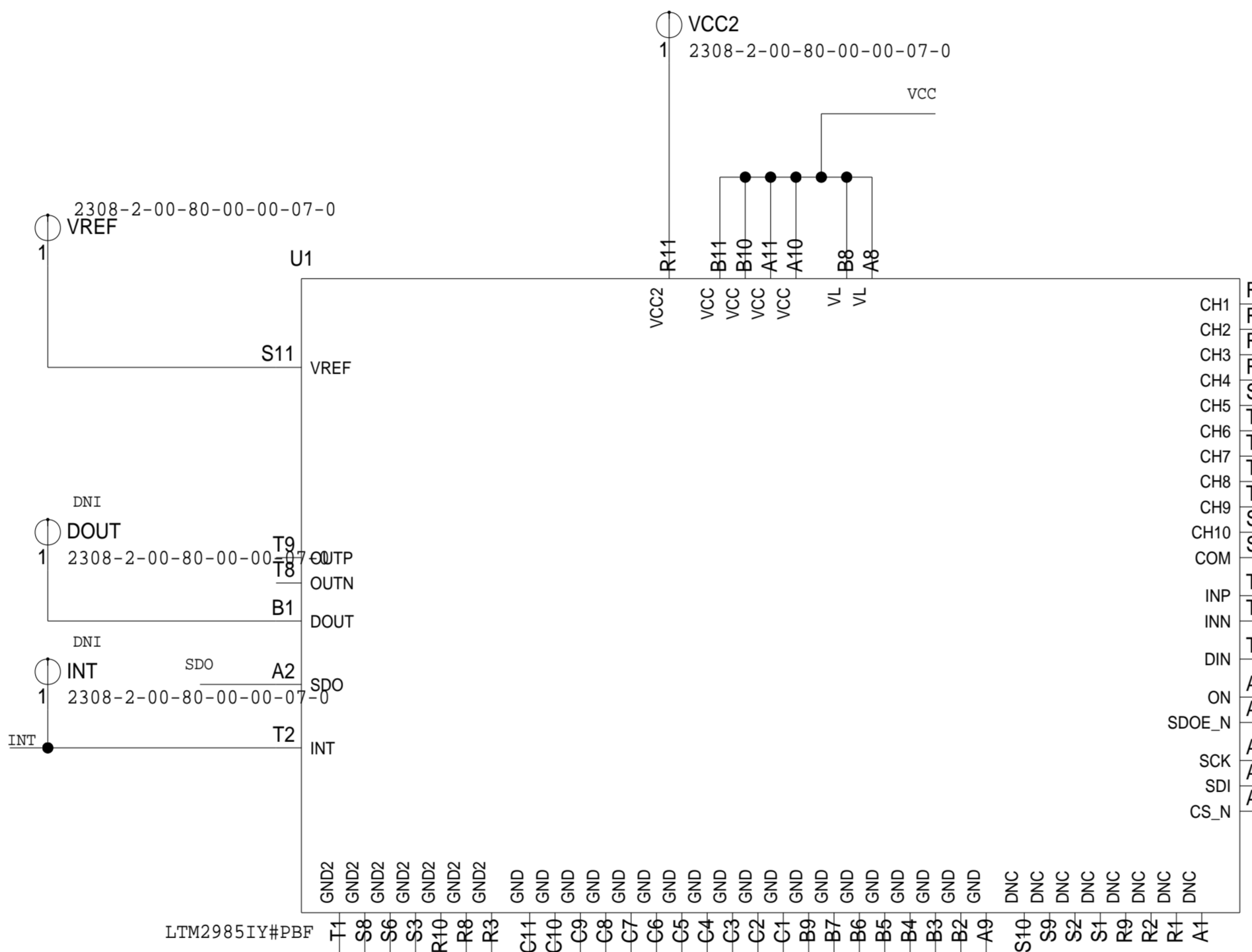
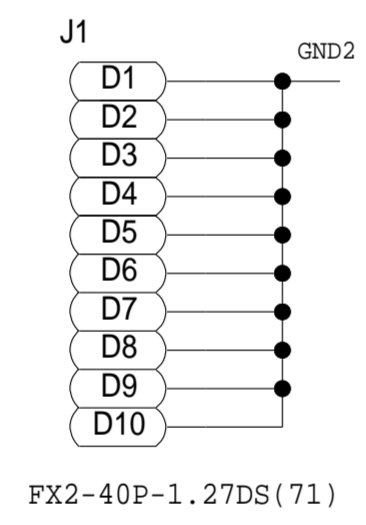
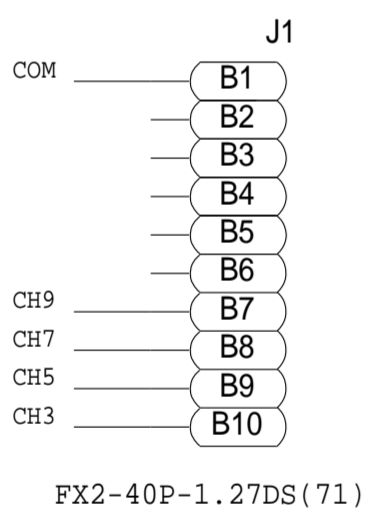
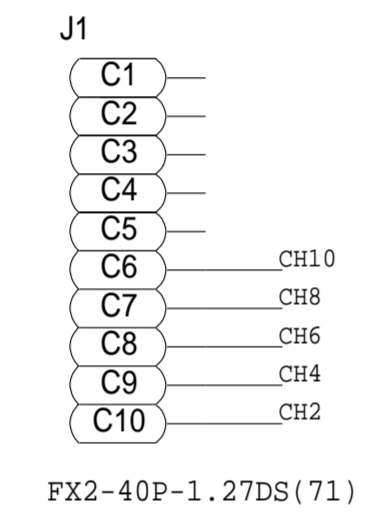
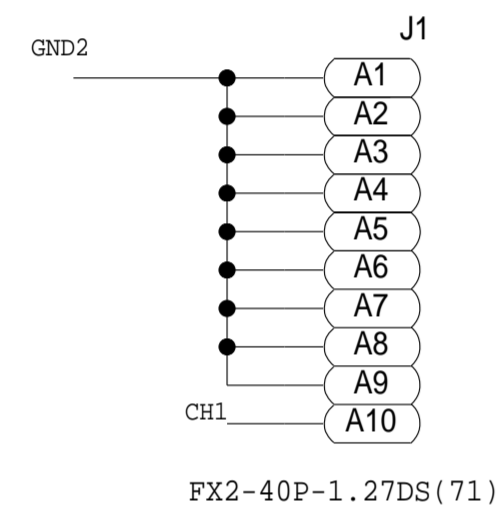
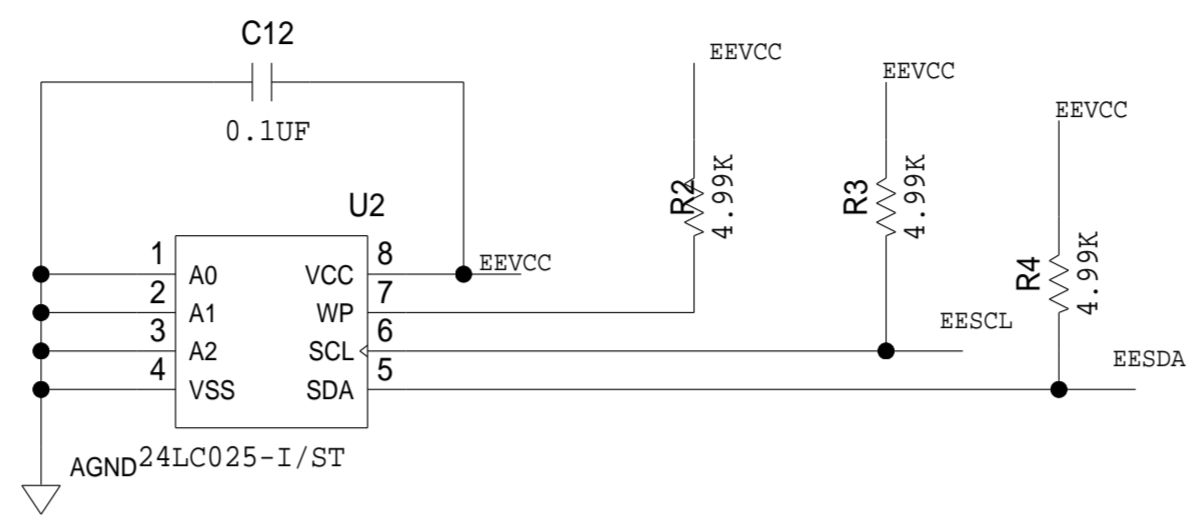




REVISIONS			
REV	DESCRIPTION	DATE	APPROVED



		<b>SCHEMATIC</b>	
		HW TYPE : Customer Evaluation Product(s) : LTM2985 : N/A	
DESIGN VIEW <DESIGN_VIEW>	DRAWING NO. 02_065943	REV A	
PTD ENGINEER <PTD_ENGINEER>	SIZE D	SCALE 1:1	SHEET 2 OF 2

THIS DRAWING IS THE PROPERTY OF ANALOG DEVICES INC. IT IS NOT TO BE REPRODUCED OR COPIED, IN WHOLE OR IN PART, OR USED IN ANY MANNER WITHOUT THE WRITTEN PERMISSION OF ANALOG DEVICES. THE EQUIPMENT DESIGN HEREON MAY BE PROTECTED BY PATENTS OWNED OR CONTROLLED BY ANALOG DEVICES.