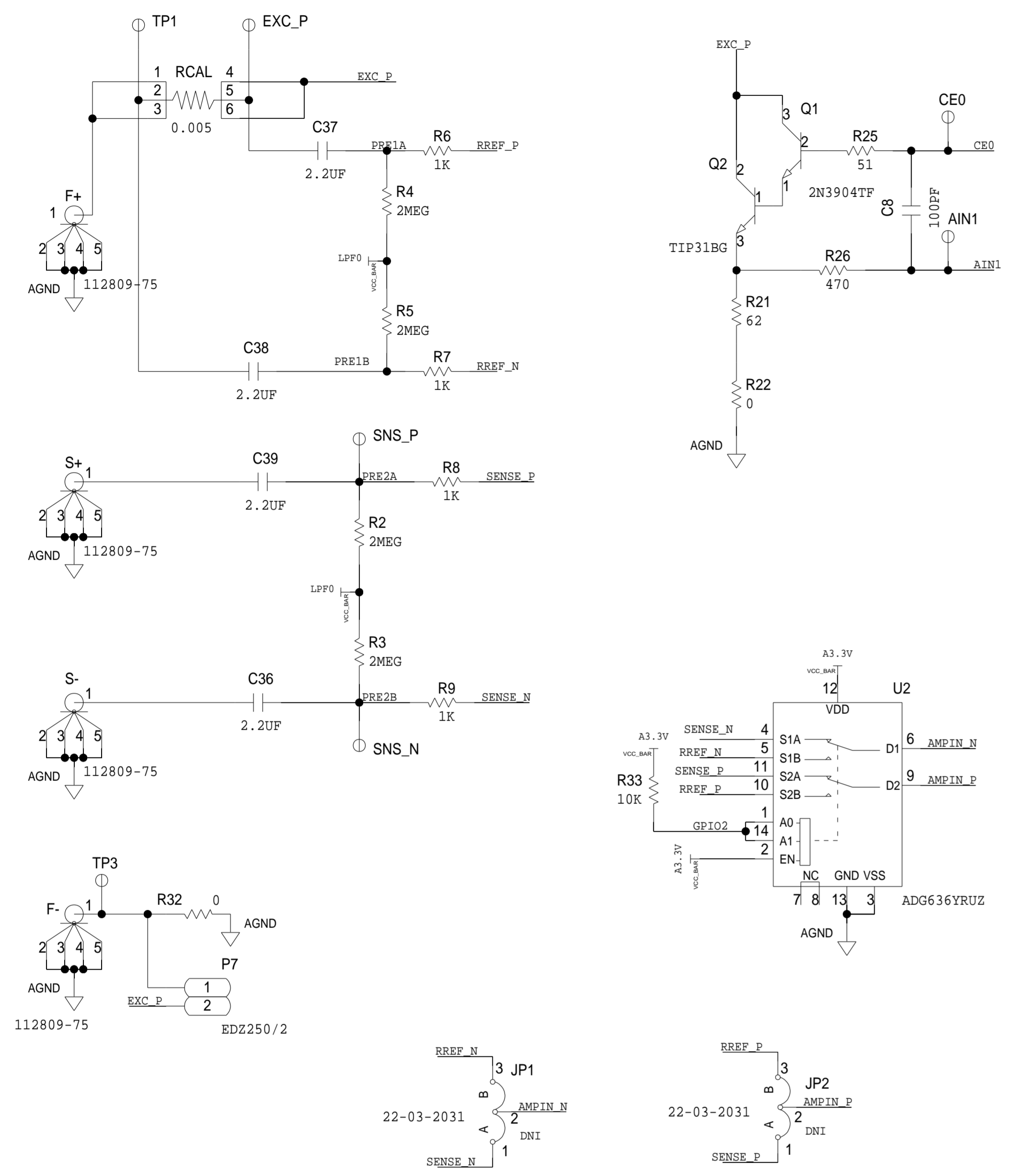
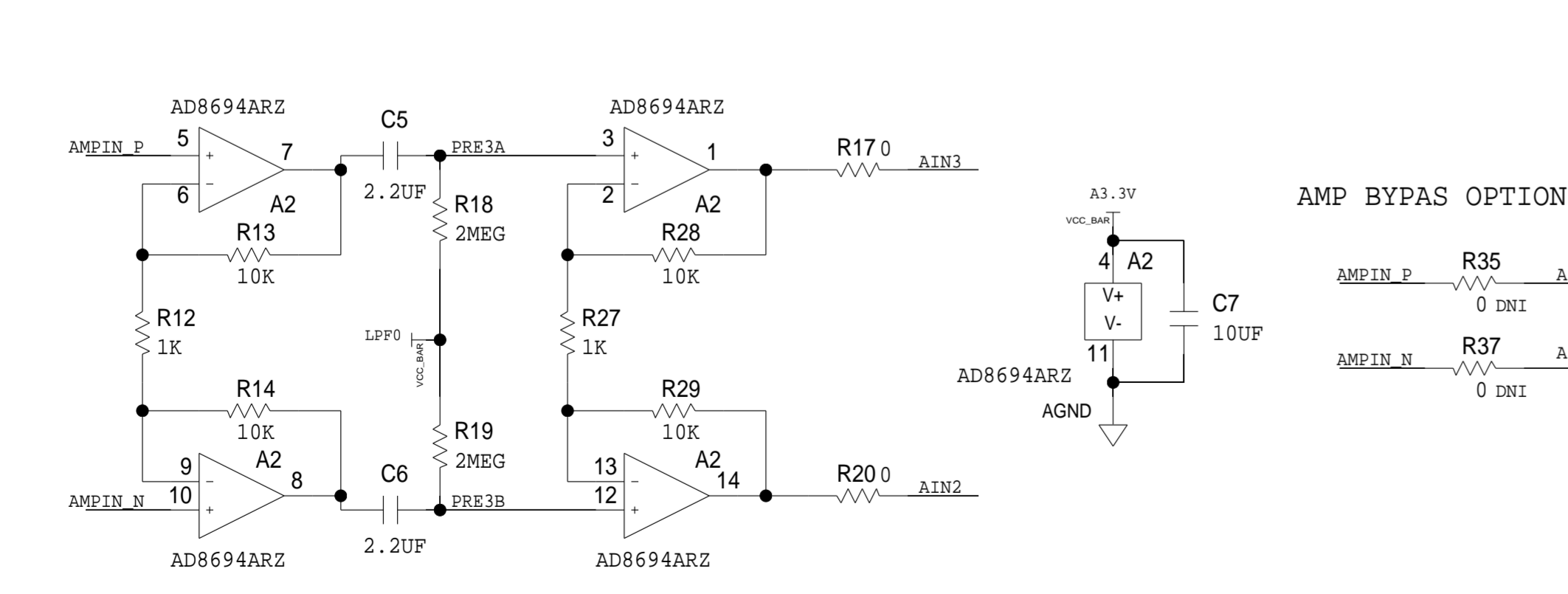


REVISIONS			
REV	DESCRIPTION	DATE	APPROVED

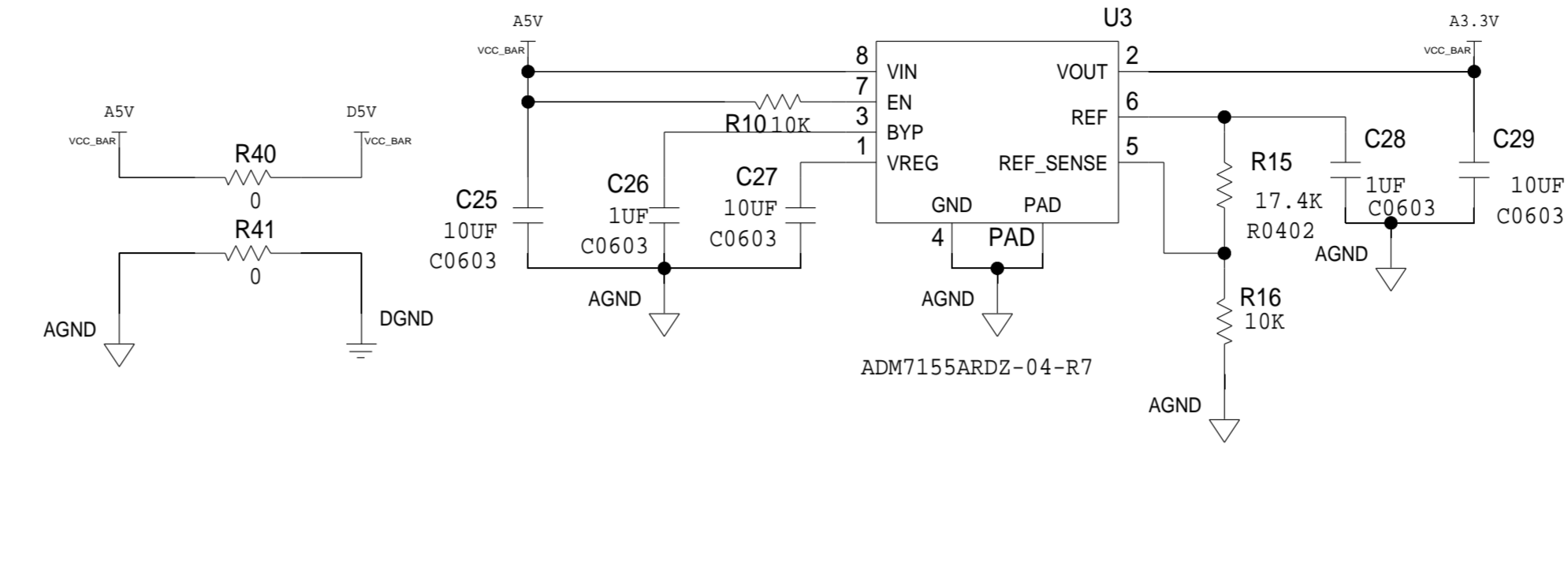
EXCITATION



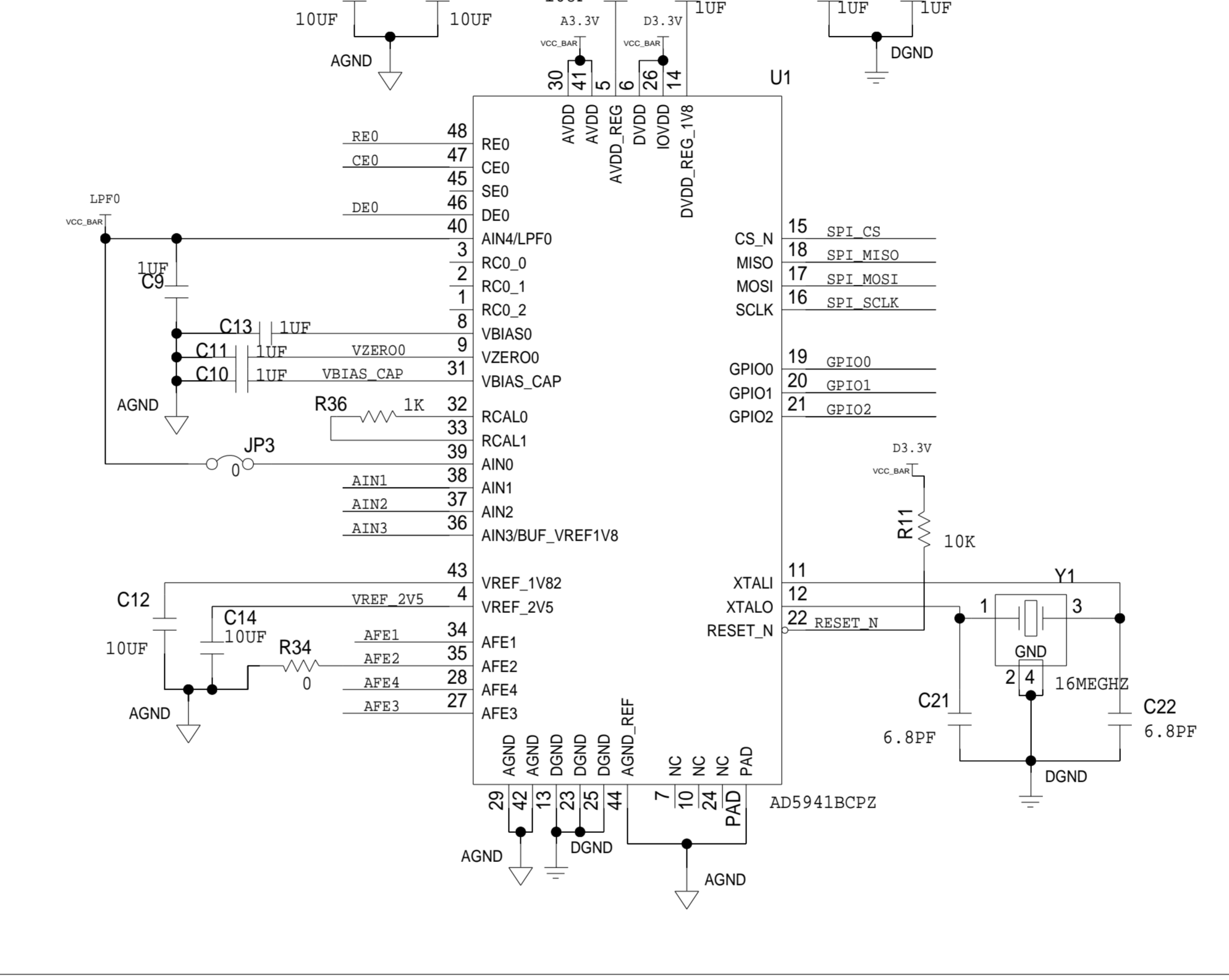
RECEIVE CHANNEL



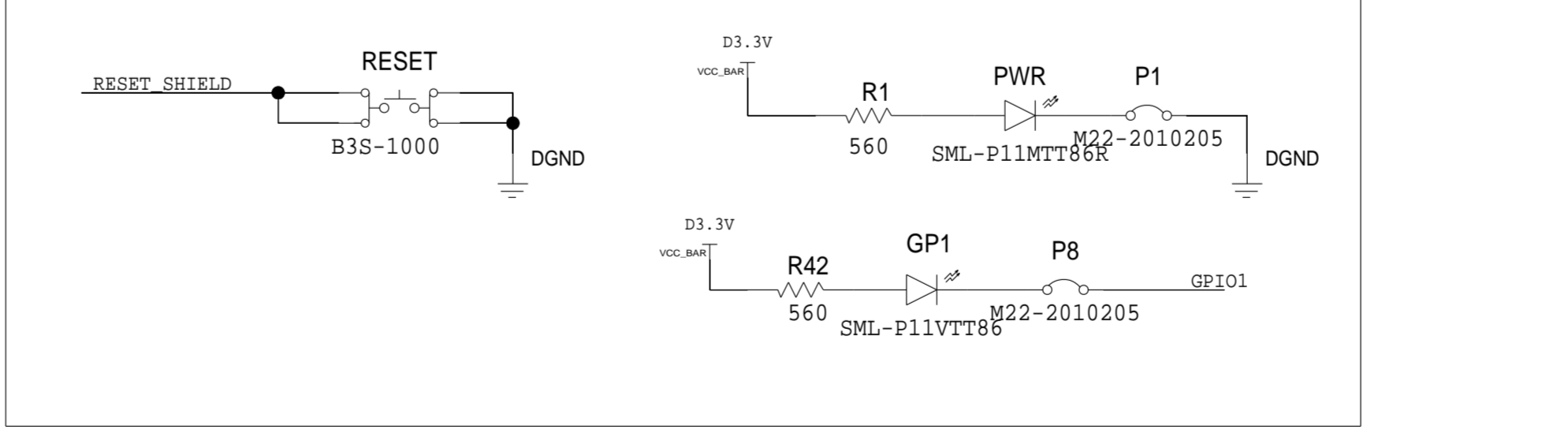
POWER



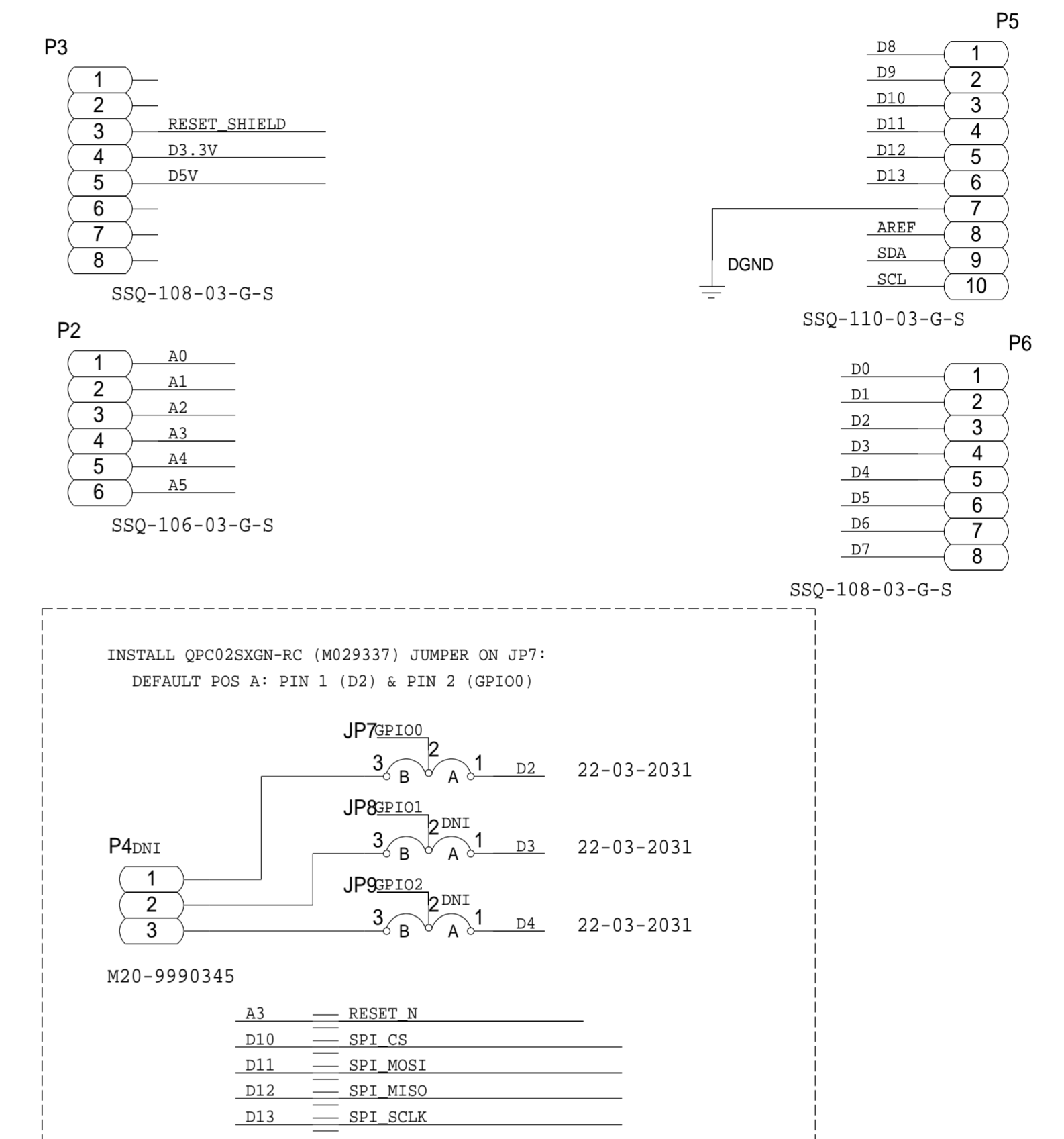
AD5941



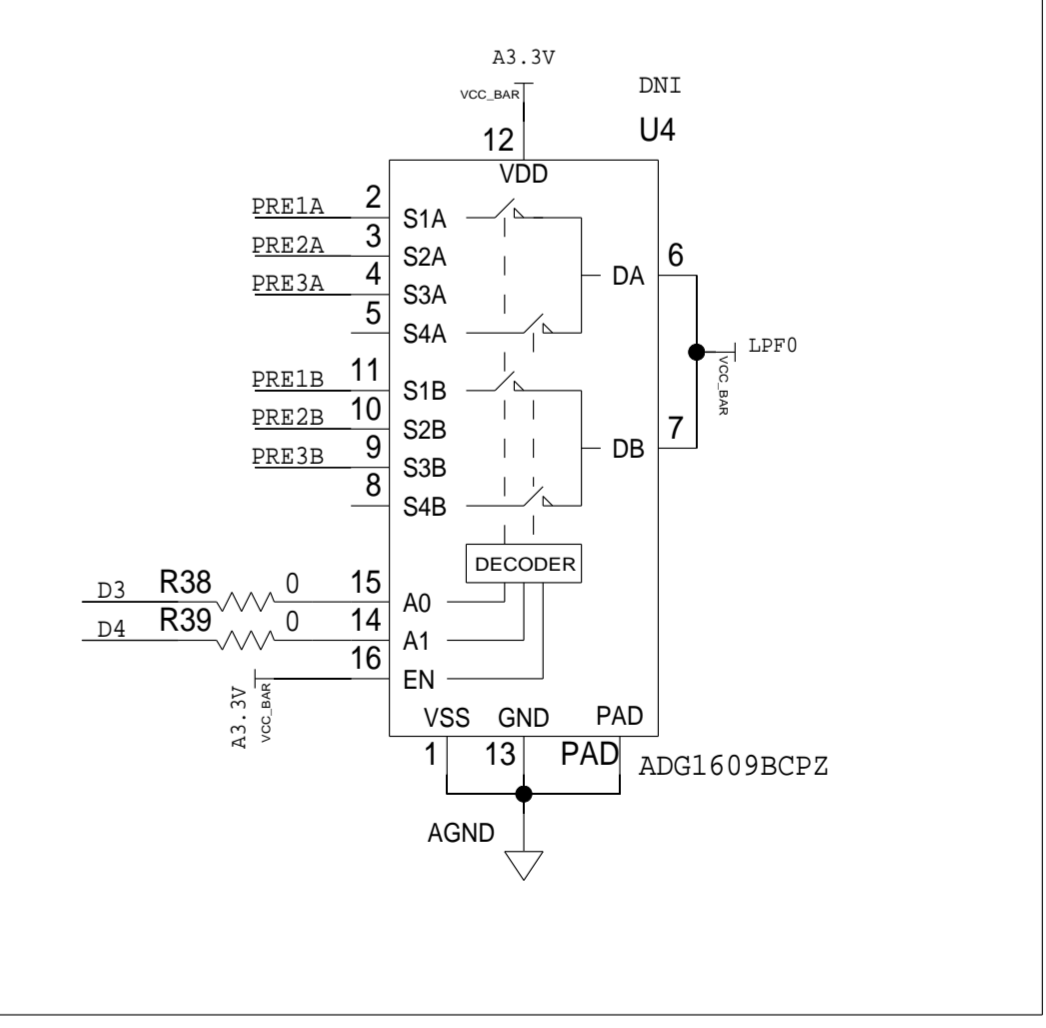
RESET & LEDS



ARDUINO CONNECTION



CONCEPTUAL



ANALOG DEVICES		SCHEMATIC			
HW TYPE : Customer Evaluation CFTL NUMBER: CN-0510		DESIGN VIEW <DESIGN_VIEW>		DRAWING NO. 02-047456	REV E
PTD ENGINEER M LAMBE		SIZE D	SCALE 1:1	SHEET 2 OF 2	