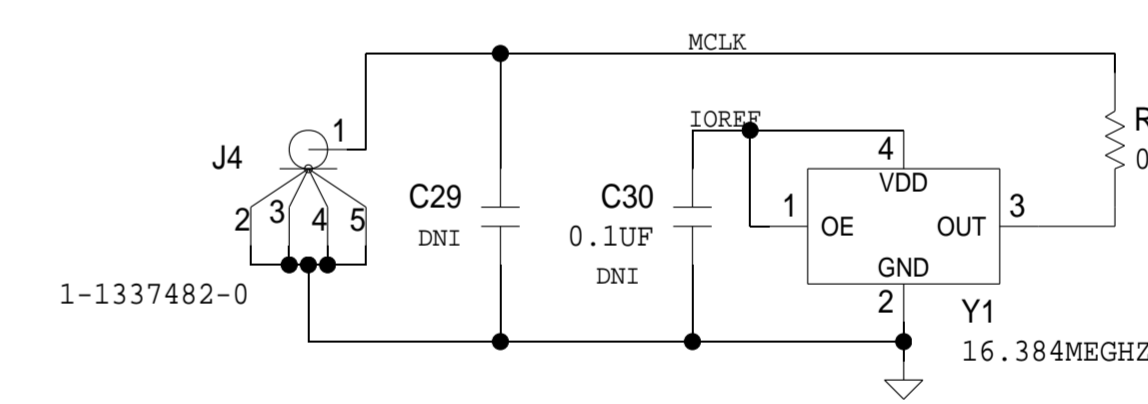
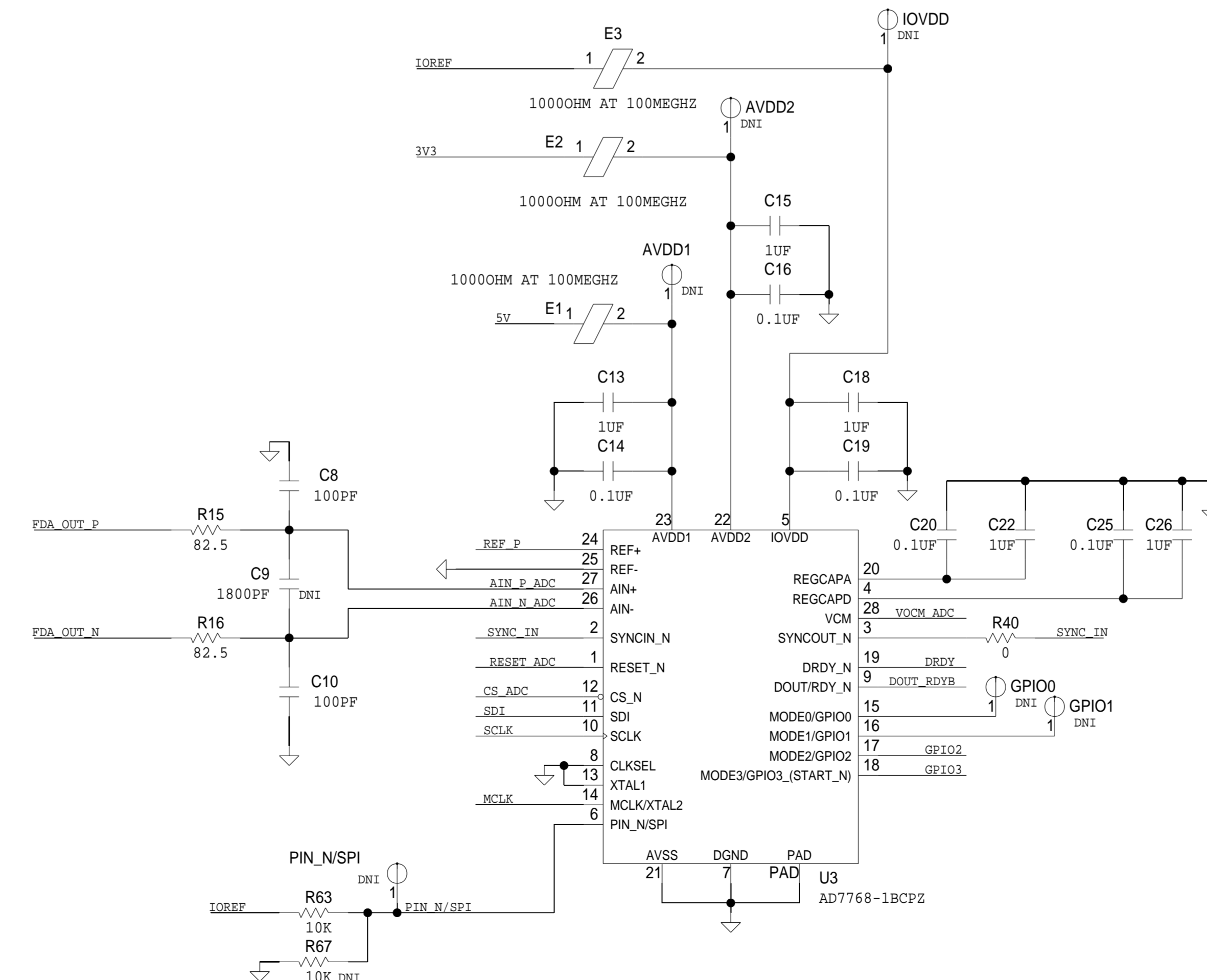
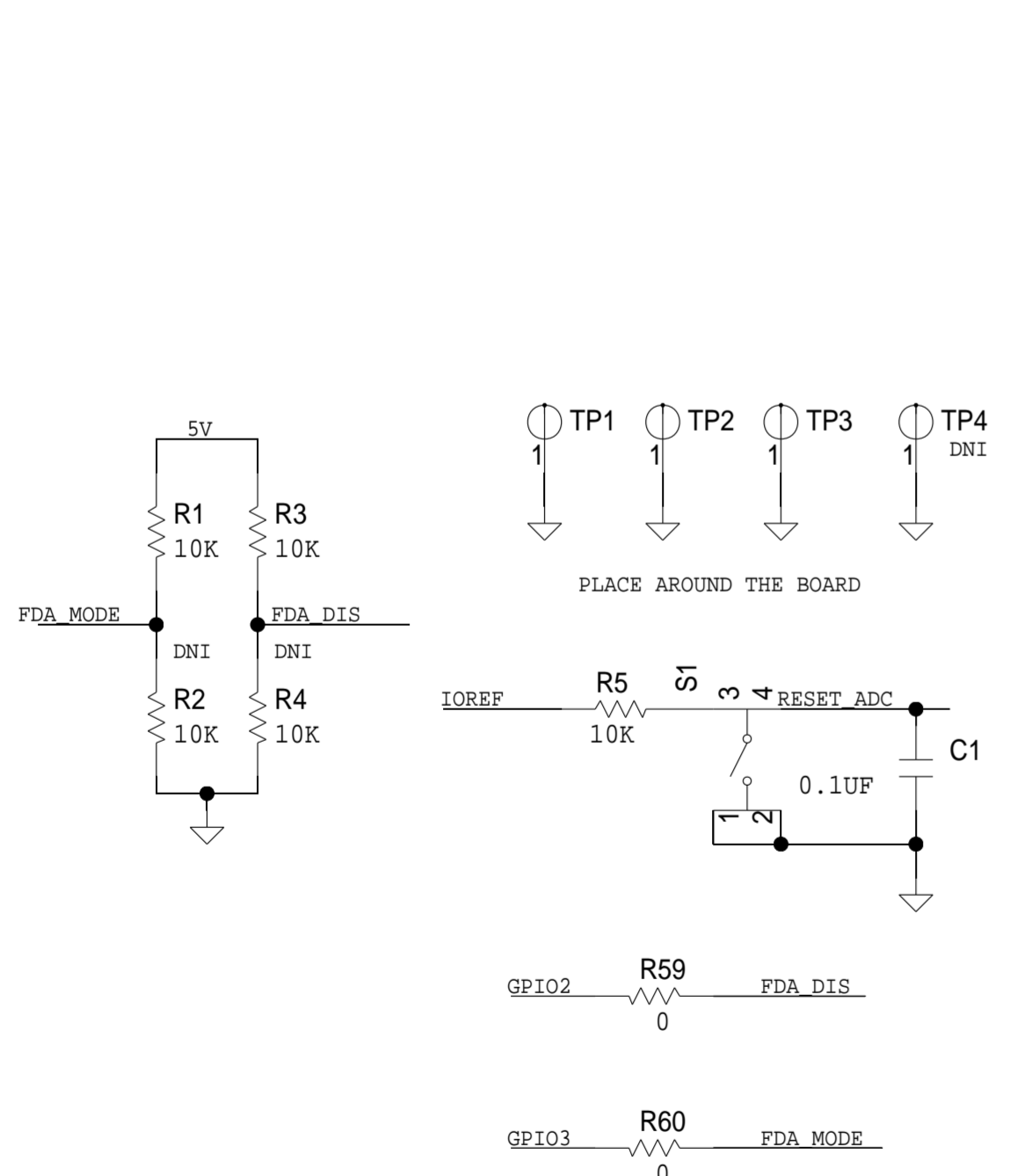
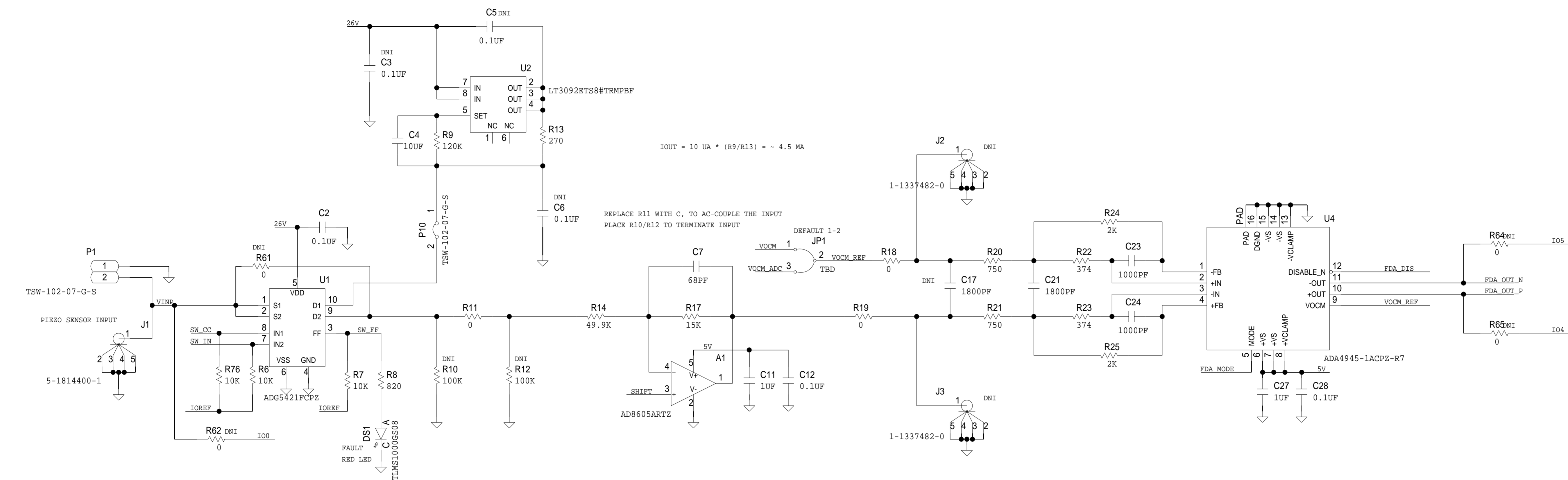




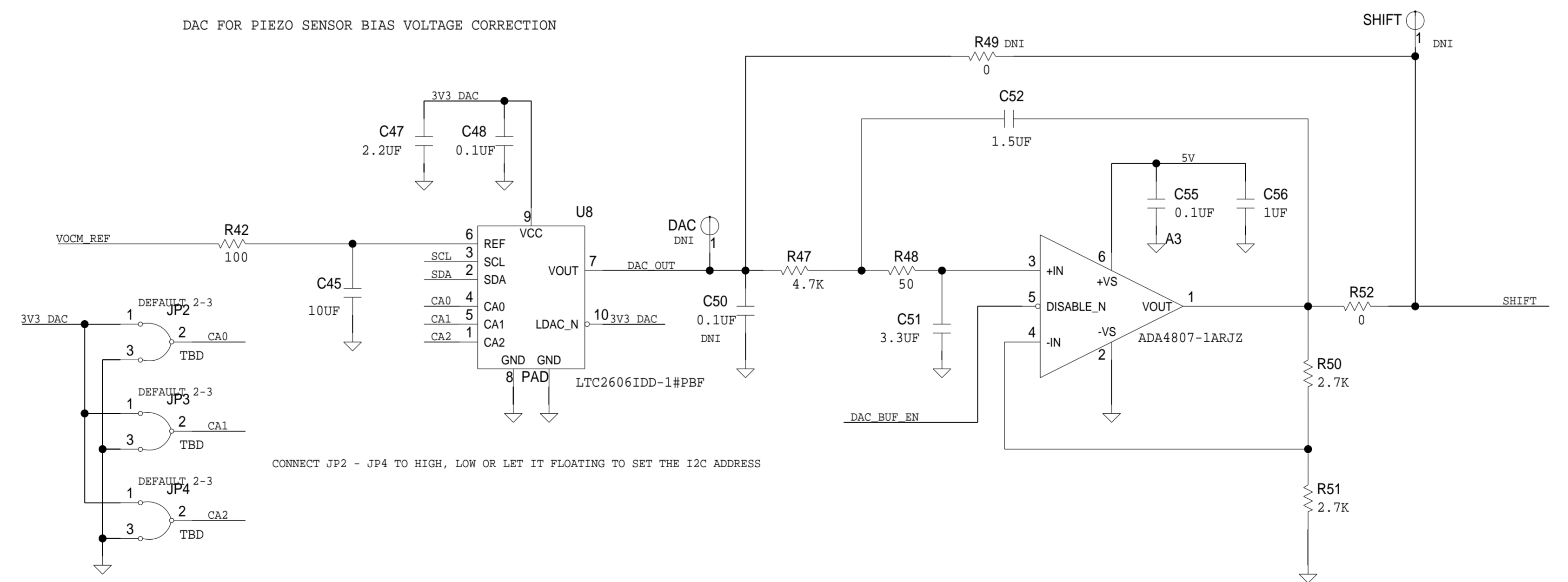
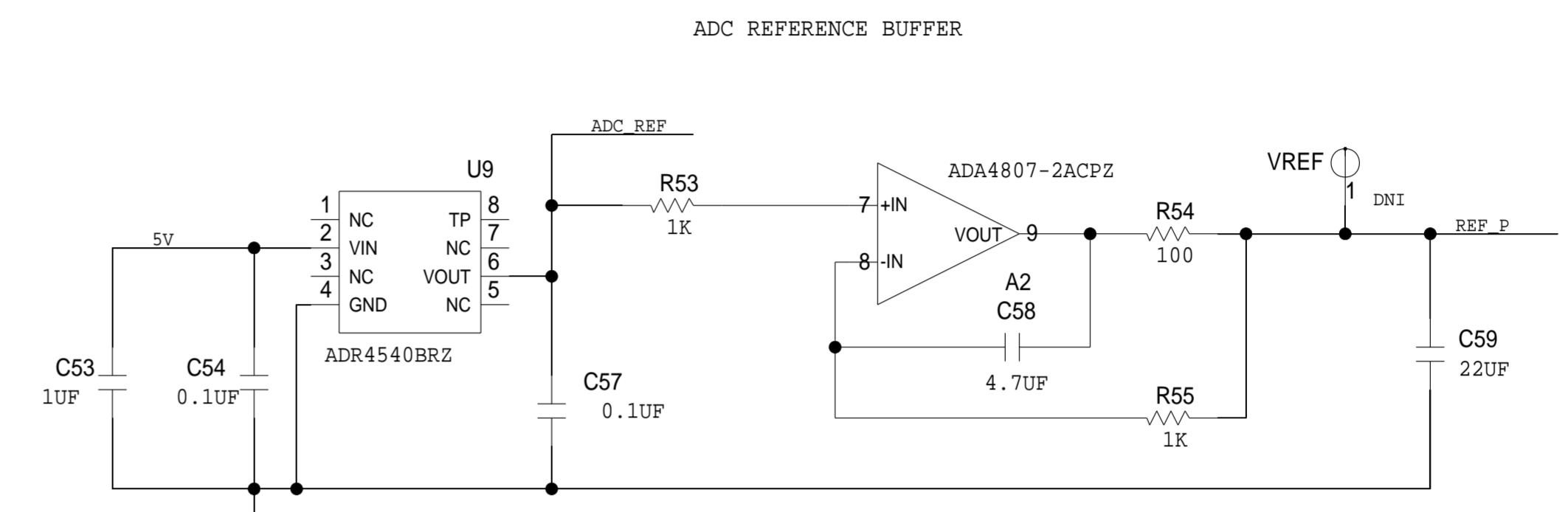
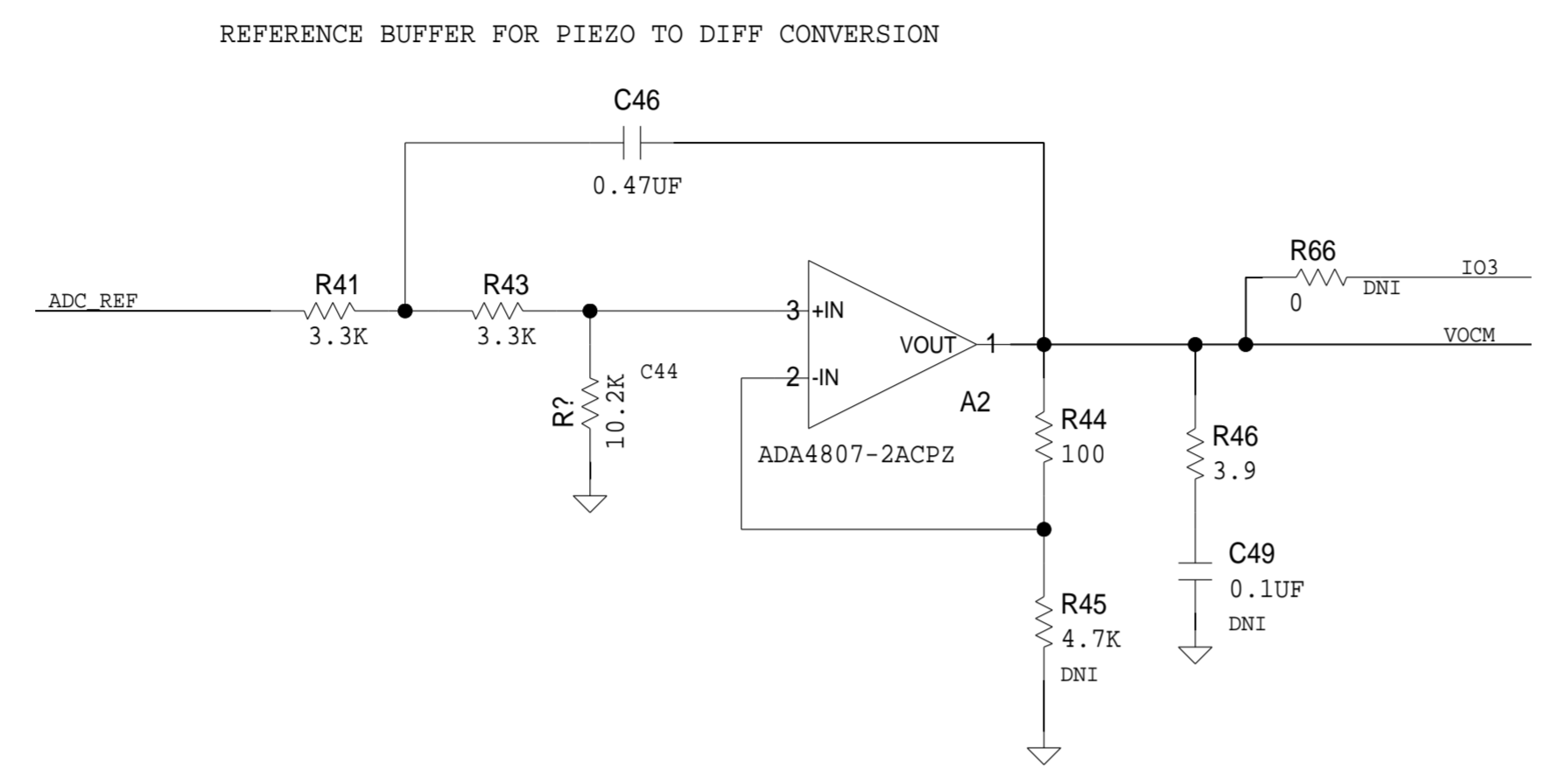
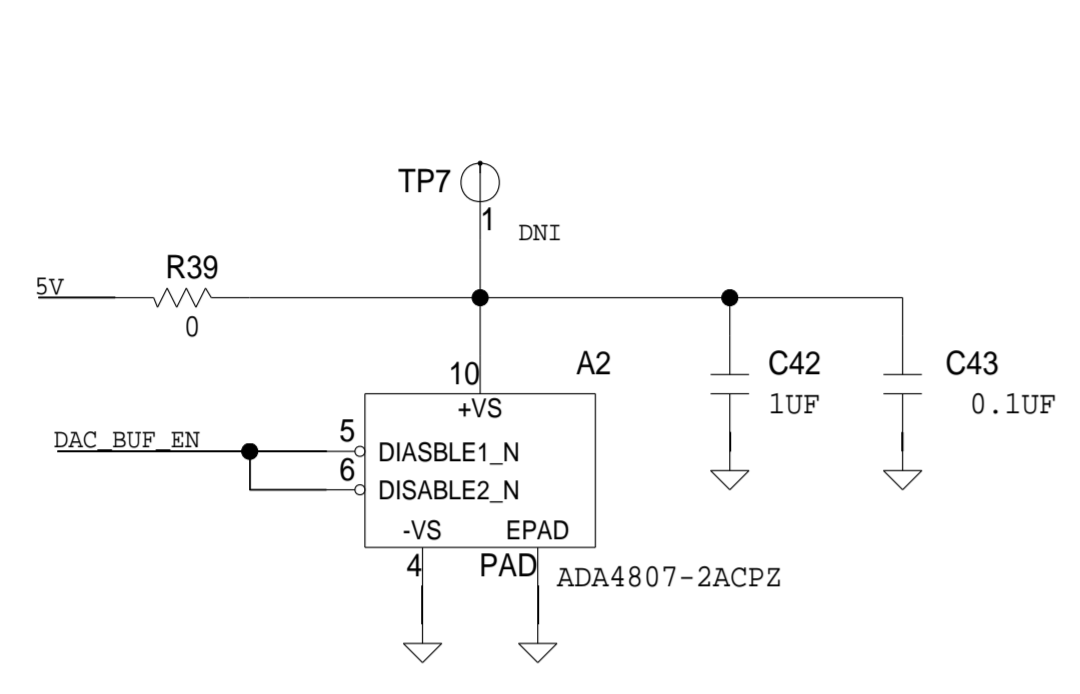
AD7768-1 PRECISION DATA ACQUISITION MODULE

REVISIONS			
REV	DESCRIPTION	DATE	APPROVED



	<b>SCHEMATIC</b>		
	EVAL-CN0540-ARDZ Product (s) : AD7768-1 : ADA4945		
DESIGN VIEW <DESIGN_VIEW>	DRAWING NO. 02-059358	REV C	
PTD ENGINEER STUART SERVIS	SIZE D	SCALE 1:1	SHEET 2 OF 5

REVISIONS			
REV	DESCRIPTION	DATE	APPROVED

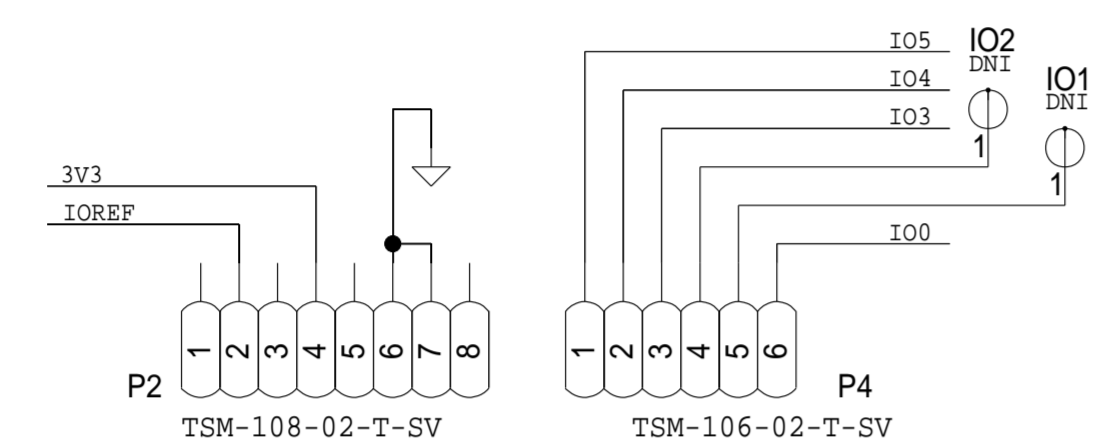
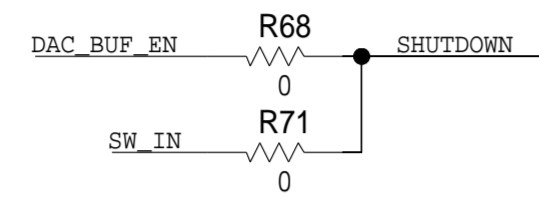


	<b>SCHEMATIC</b>		
	EVAL-CN0540-ARDZ Product (s): AD7768-1 : ADA4945		
	DESIGN VIEW <DESIGN_VIEW>	DRAWING NO. 02-059358	REV C
	PTD ENGINEER STUART SERVIS	SIZE D	SCALE 1:1

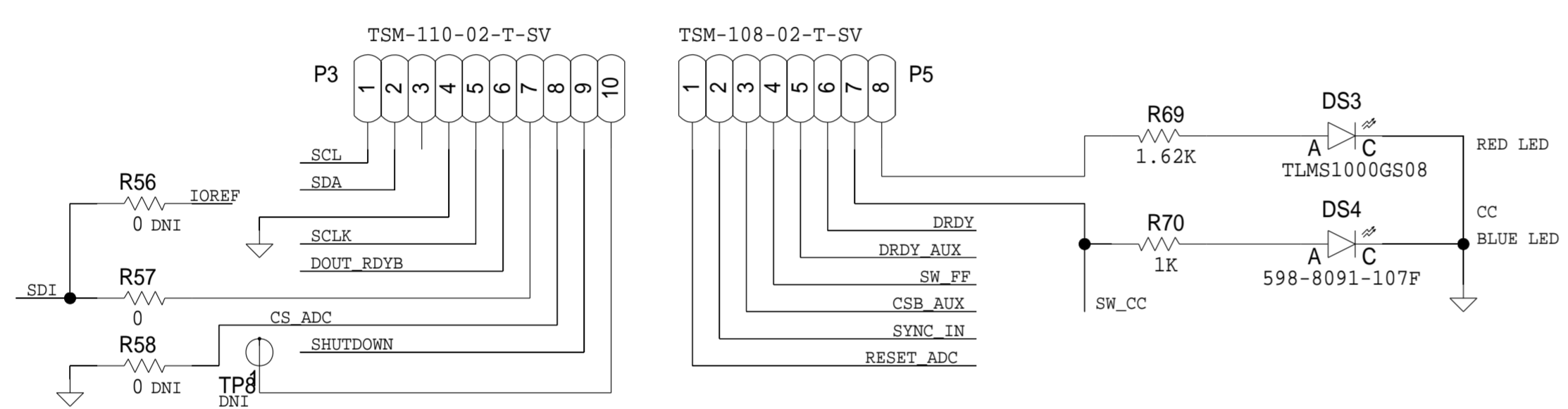
THIS DRAWING IS THE PROPERTY OF ANALOG DEVICES INC. IT IS NOT TO BE REPRODUCED OR COPIED, IN WHOLE OR IN PART, OR USED IN FURNISHING INFORMATION TO OTHERS, OR FOR ANY OTHER PURPOSE DETRIMENTAL TO THE INTERESTS OF ANALOG DEVICES. THE EQUIPMENT SHOWN HEREIN MAY BE PROTECTED BY PATENTS OWNED OR CONTROLLED BY ANALOG DEVICES.

REVISIONS			
REV	DESCRIPTION	DATE	APPROVED

# INTERCONNECTIONS

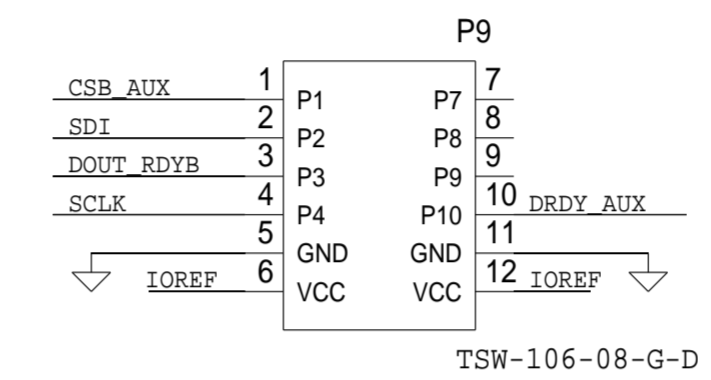


## ARDUINO HEADERS

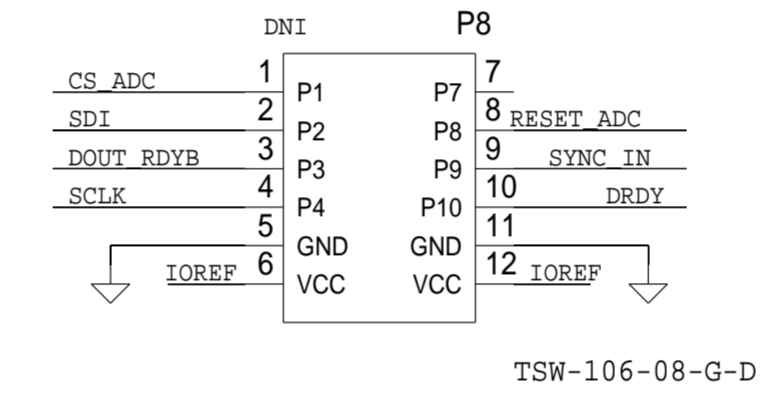


REMOVE R58 IN CASE OF MASTER IN DAISY CHAIN OR IN STANDALONE CONFIGURATION  
 REMOVE R56 AND INSERT R57 IN CASE OF MASTER IN DAISY CHAIN OR IN STANDALONE CONFIGURATION  
 REMOVE R57 AND INSERT R56 IN CASE OF SLAVE IN DAISY CHAIN CONFIGURATION

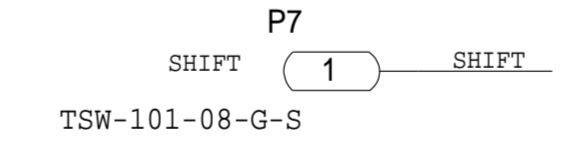
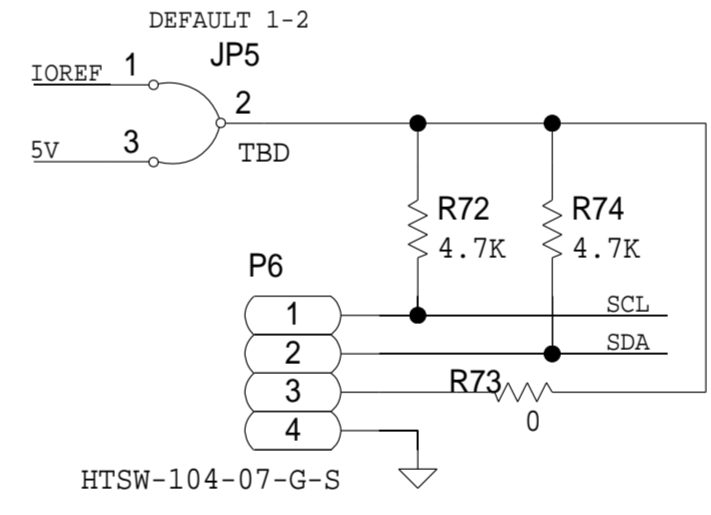
## AUX SPI CONNECTOR



## PMOD CONNECTOR BLOCK



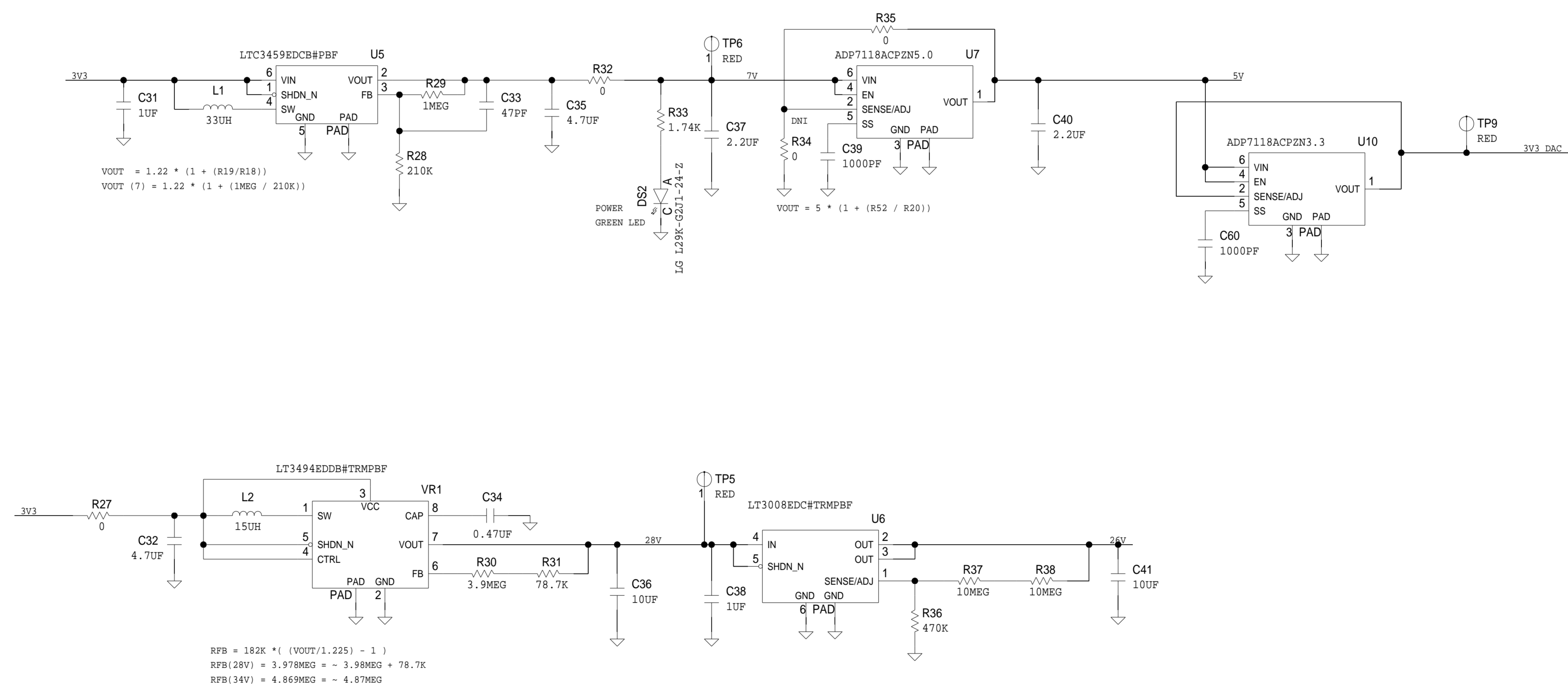
## I2C CONNECTOR



	<b>SCHEMATIC</b>		
	EVAL-CN0540-ARDZ Product (s): AD7768-1 : ADA4945		
<small>THIS DRAWING IS THE PROPERTY OF ANALOG DEVICES INC. IT IS NOT TO BE REPRODUCED OR COPIED, IN WHOLE OR IN PART, OR USED IN ANY MANNER FOR THE PURPOSES OF REPRODUCING INFORMATION TO OTHERS, OR FOR ANY OTHER PURPOSE DETRIMENTAL TO THE INTERESTS OF ANALOG DEVICES. THE EQUIPMENT SHOWN HEREON MAY BE PROTECTED BY PATENTS OWNED OR CONTROLLED BY ANALOG DEVICES.</small>	DESIGN VIEW <DESIGN_VIEW>	DRAWING NO. 02-059358	REV C
PTD ENGINEER STUART SERVIS	SIZE <b>D</b>	SCALE 1:1	SHEET 4 OF 5

REVISIONS			
REV	DESCRIPTION	DATE	APPROVED

# POWER MANAGEMENT



	<b>SCHEMATIC</b>		
	EVAL-CN0540-ARDZ Product (s) : AD7768-1 : ADA4945		
	DESIGN VIEW <DESIGN_VIEW>	DRAWING NO. 02-059358	REV C
	PTD ENGINEER STUART SERVIS	SIZE D	SCALE 1:1
		SHEET 5 OF 5	