

6

5

4

3

2

1

REVISION RECORD			
LTR	ECO NO:	APPROVED:	DATE:

D

D

C

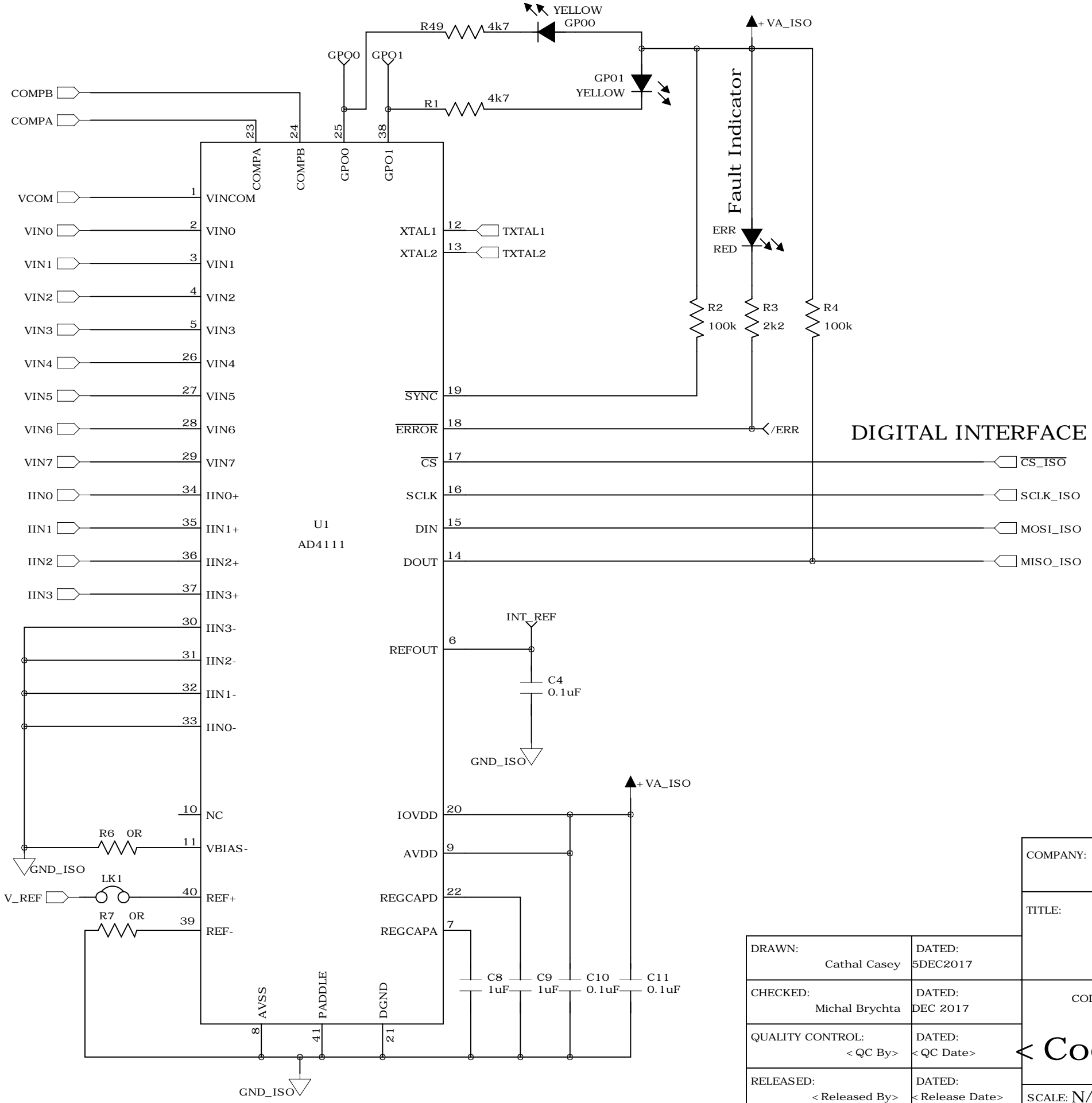
C

B

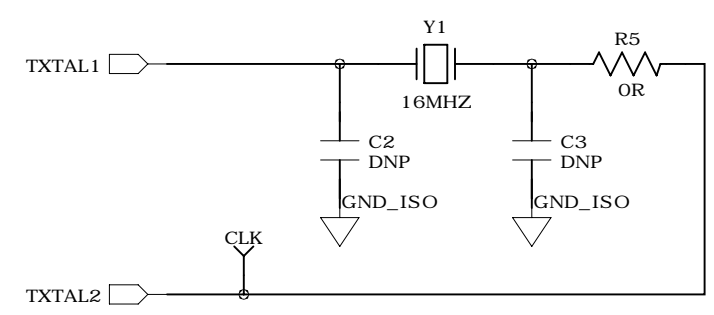
B

A

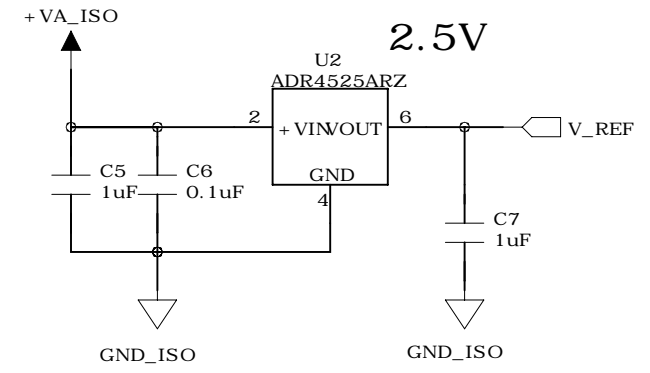
A



CLOCK



VOLTAGE REF



DRAWN: Cathal Casey	DATED: 5DEC2017
CHECKED: Michal Brychta	DATED: DEC 2017
QUALITY CONTROL: < QC By >	DATED: < QC Date >
RELEASED: < Released By >	DATED: < Release Date >

COMPANY: ANALOG DEVICES INC			
TITLE: EVAL-AD4111/12SDZ			
CODE: < Code >	SIZE: A3	DRAWING NO: 02-045339	REV: E
SCALE: N/A			SHEET: 1 OF 5

6

5

4

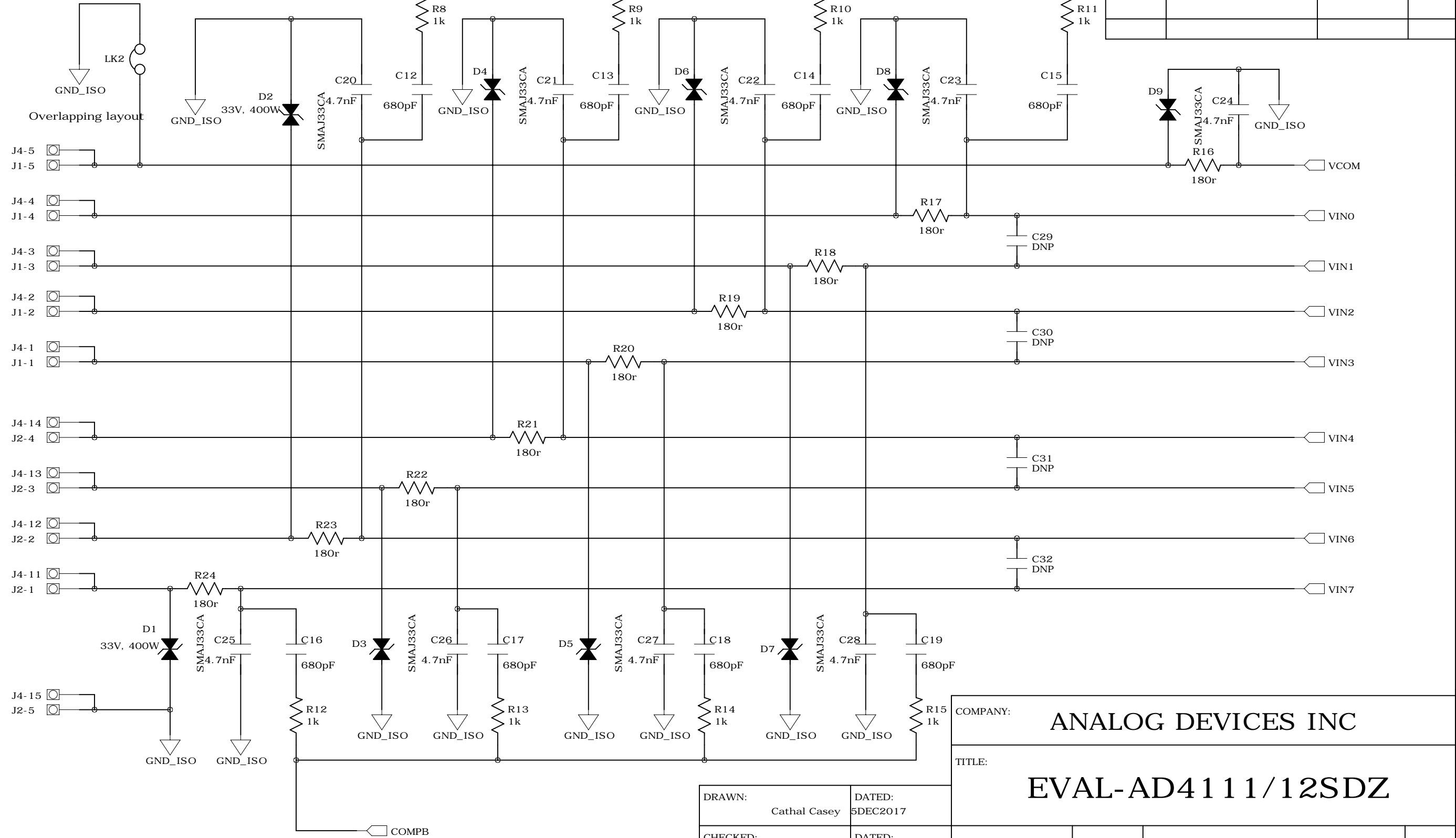
3

2

1

REVISION RECORD			
LTR	ECO NO:	APPROVED:	DATE:

Connects VCOM to GND_ISO
(Typical for Single-ended measurement)



COMPANY: ANALOG DEVICES INC

TITLE: EVAL-AD4111/12SDZ

DRAWN: Cathal Casey	DATED: 5DEC2017
CHECKED: Michal Brychta	DATED: DEC 2017
QUALITY CONTROL: < QC By >	DATED: < QC Date >
RELEASED: < Released By >	DATED: < Release Date >

CODE: < Code >	SIZE: A3	DRAWING NO: 02-045339	REV: E
--------------------------------	--------------------	---------------------------------	------------------

SCALE: N/A SHEET: 2 OF 5

D

D

C

C

B

B

A

A

6

5

4

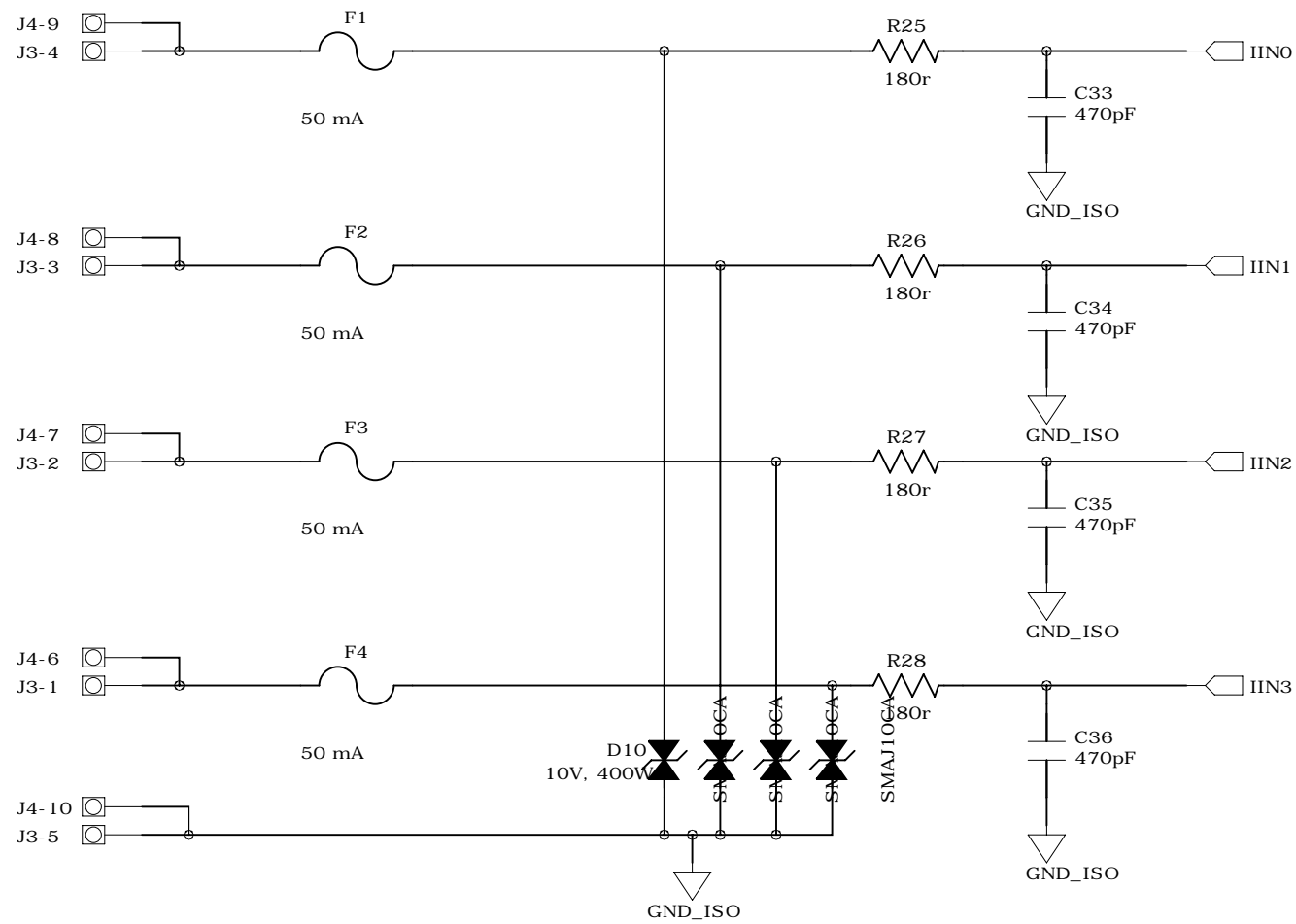
3

2

1

REVISION RECORD			
LTR	ECO NO:	APPROVED:	DATE:

CURRENT INPUTS



COMPANY: ANALOG DEVICES INC			
TITLE: EVAL-AD4111/12SDZ			
CODE:	SIZE:	DRAWING NO:	REV:
< Code >	A3	02-045339	E
SCALE: N/A			SHEET: 3 OF 5

DRAWN: Cathal Casey	DATED: 5DEC2017
CHECKED: Michal Brychta	DATED: DEC 2017
QUALITY CONTROL: < QC By >	DATED: < QC Date >
RELEASED: < Released By >	DATED: < Release Date >

D

D

C

C

B

B

A

A

6

5

4

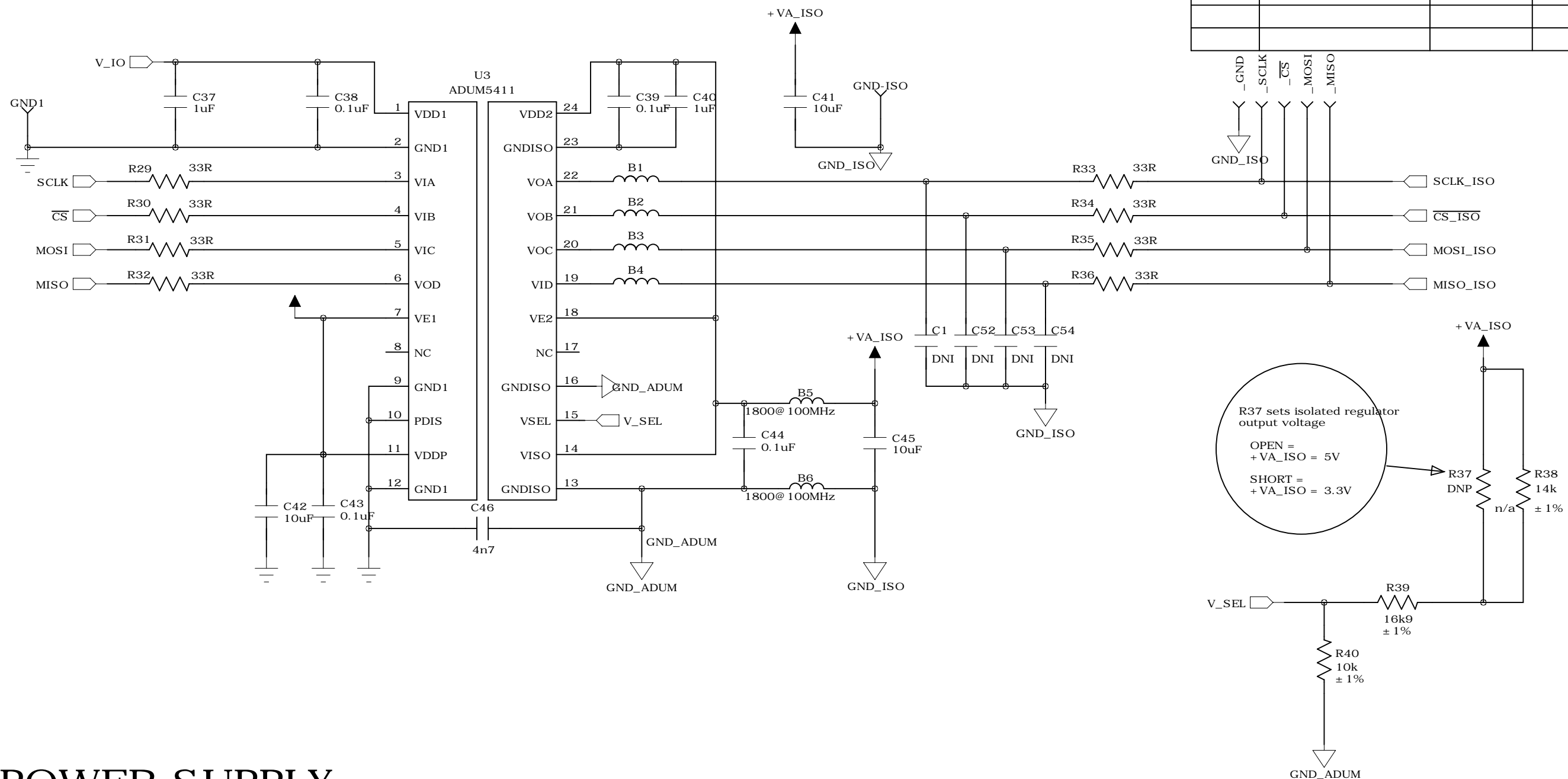
3

2

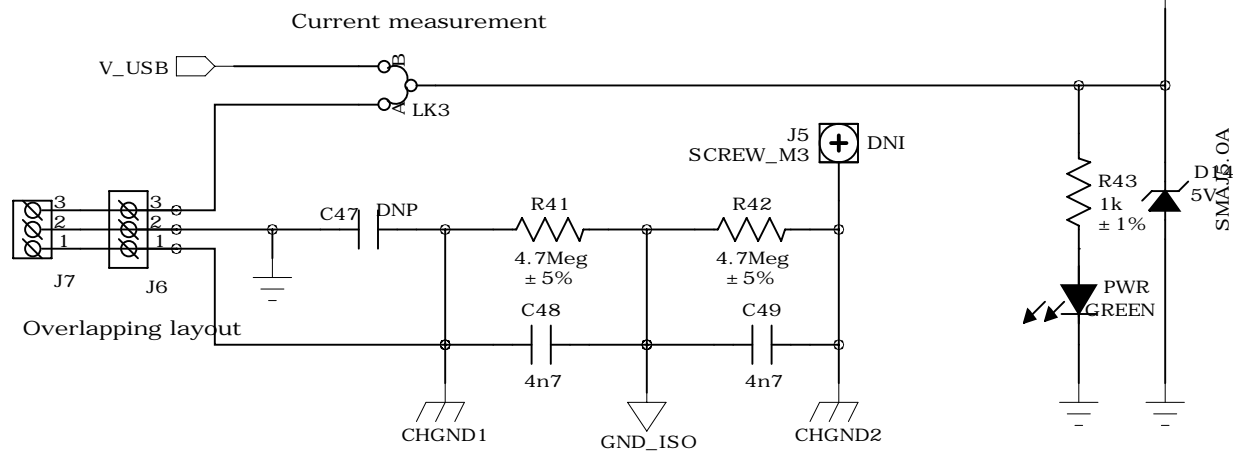
1

INSULATION

REVISION RECORD			
LTR	ECO NO:	APPROVED:	DATE:



POWER SUPPLY



COMPANY: ANALOG DEVICES INC			
TITLE: EVAL-AD4111/12SDZ			
CODE: < Code >	SIZE: A3	DRAWING NO: 02-045339	REV: E
SCALE: N/A			SHEET: 4 OF 5

DRAWN: Cathal Casey	DATED: 5DEC2017
CHECKED: Michal Brychta	DATED: DEC 2017
QUALITY CONTROL: < QC By >	DATED: < QC Date >
RELEASED: < Released By >	DATED: < Release Date >

D

D

C

C

B

B

A

A

6

5

4

3

2

1

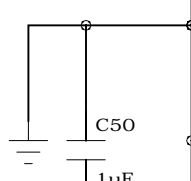
SDP CONNECTOR EEPROM-SW/USB ID

VIO: USE to set IO voltage max draw 20mA
 VIN: Use this pin to power the SDP requires 4-7V 200mA
 BMODE1: Pull up with a 10K resistor to set SDP to boot from a SPI FLASH on the daughter board

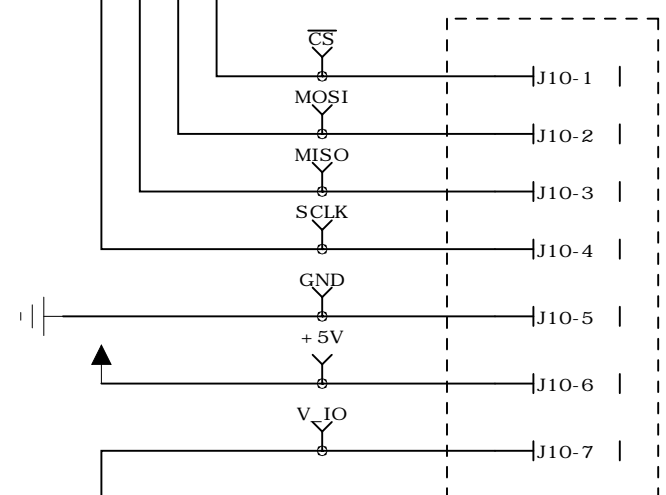
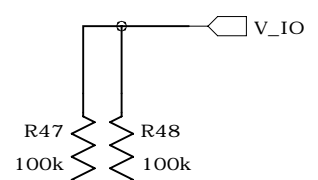
REVISION RECORD			
LTR	ECO NO:	APPROVED:	DATE:

J8 SDP Connector Scheme, R.R. 15/04/11

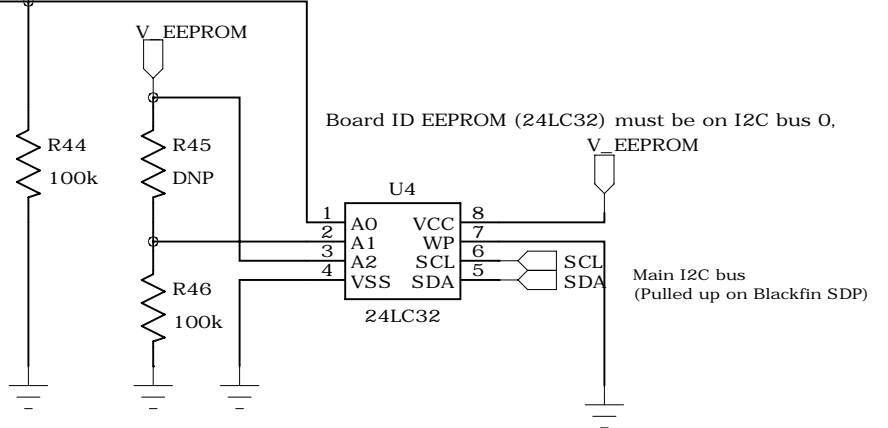
60	RESET_IN	BMODE1	61
59	UART_RX	UART_TX	62
58	GND	GND	63
57	NC	NC	64
56	EEPROM_A0	NC	65
55	NC	NC	66
54	NC	NC	67
53	NC	NC	68
52	NC	NC	69
51	GND	GND	70
50	NC	NC	71
49	NC	NC	72
48	TMR_C*	TMR_D	73
47	TMR_A	TMR_B	74
46	GPIO6	GPIO7	75
45	GND	GND	76
44	GPIO4	GPIO5	77
43	GPIO2	GPIO3	78
42	GPIO0	GPIO1	79
41	SCL_1	SCL_0	80
40	SDA_1	SDA_0	81
39	GND	GND	82
38	SPI_SEL1/SPI_SS	SPI_CLK	83
37	SPI_SEL_C	SPI_MISO	84
36	SPI_SEL_B	SPI_MOSI	85
35	GND	SPI_SEL_A	86
34	SPORT_INT	GND	87
33	SPORT_DT3	SPORT_TSCCLK	88
32	SPORT_DT2	SPORT_DT0	89
31	SPORT_DT1	SPORT_TFS	90
30	SPORT_DR1	SPORT_RFS	91
29	SPORT_DR2	SPORT_DR0	92
28	SPORT_DR3	SPORT_RSCLK	93
27	GND	GND	94
26	PAR_FS1	PAR_CLK	95
25	PAR_FS3	PAR_FS2	96
24	PAR_A1	PAR_A0	97
23	PAR_A3	PAR_A2	98
22	GND	GND	99
21	PAR_CS	PAR_INT	100
20	PAR_RD	PAR_WR	101
19	PAR_D1	PAR_D0	102
18	PAR_D3	PAR_D2	103
17	PAR_D5	PAR_D4	104
16	GND	GND	105
15	PAR_D7	PAR_D6	106
14	PAR_D9	PAR_D8	107
13	PAR_D11	PAR_D10	108
12	PAR_D13	PAR_D12	109
11	PAR_D14	GND	110
10	GND	PAR_D15	111
9	PAR_D17*	PAR_D16	112
8	PAR_D19*	PAR_D18	113
7	PAR_D21*	PAR_D20	114
6	PAR_D23	PAR_D22	115
5	GND	GND	116
4	USB_VBUS	VIO(+3.3V)	117
3	GND	GND	118
2	GND	GND	119
1	NC	NC	120
1	VIN	NC	



Power the board from SDP-B
 Power the board from ADuCM3029 eval



BMODE1: Pull up with a 10K resistor to set SDP to boot from a SPI FLASH on the daughter board



VIN: Use this pin to power the SDP requires 5V 200mA
 I2C bus 1 is common across both connectors on SDP - Pull up resistors required (connected to blackfin GPIO - use I2C_0 first)

COMPANY: ANALOG DEVICES INC

TITLE: EVAL-AD4111/12SDZ

DRAWN: Cathal Casey	DATED: 5DEC2017
CHECKED: Michal Brychta	DATED: DEC 2017
QUALITY CONTROL: < QC By >	DATED: < QC Date >
RELEASED: < Released By >	DATED: < Release Date >

CODE: < Code >	SIZE: A3	DRAWING NO: 02-045339	REV: E
-------------------	-------------	--------------------------	-----------