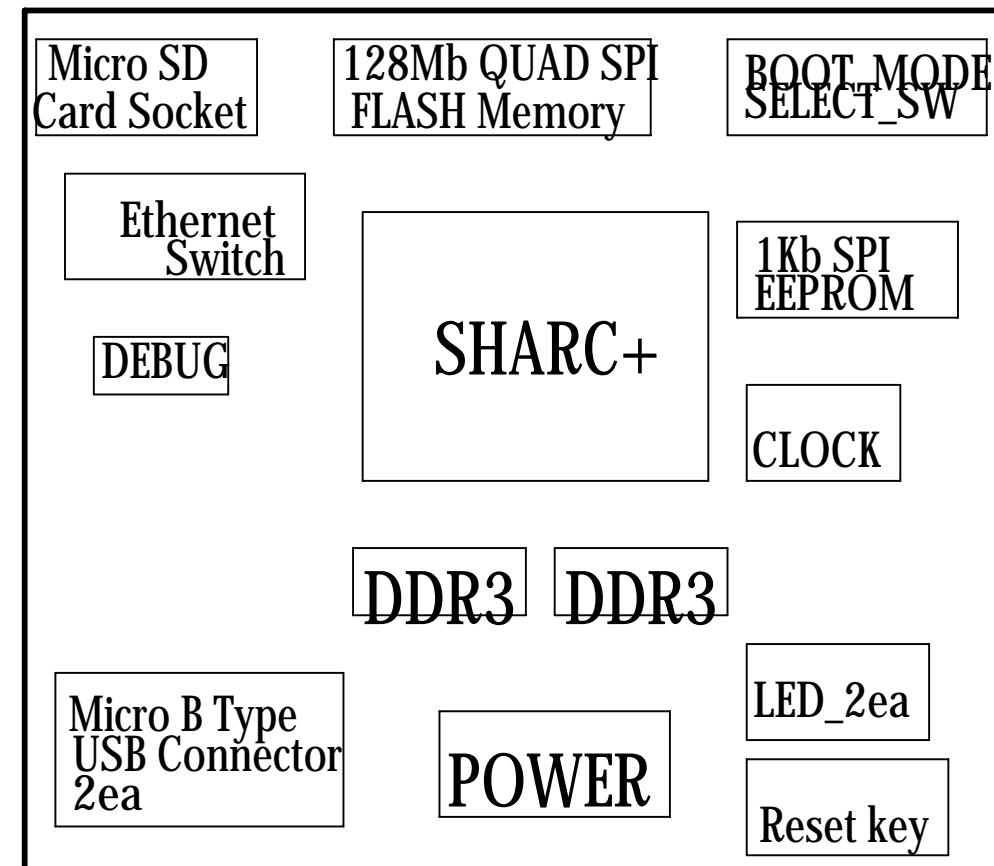
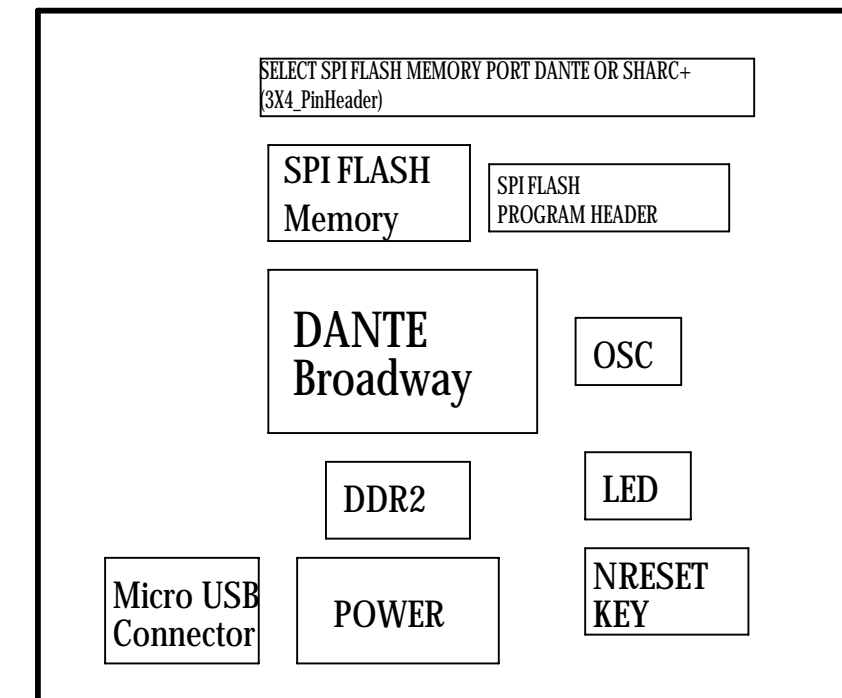


# Block Diagrams

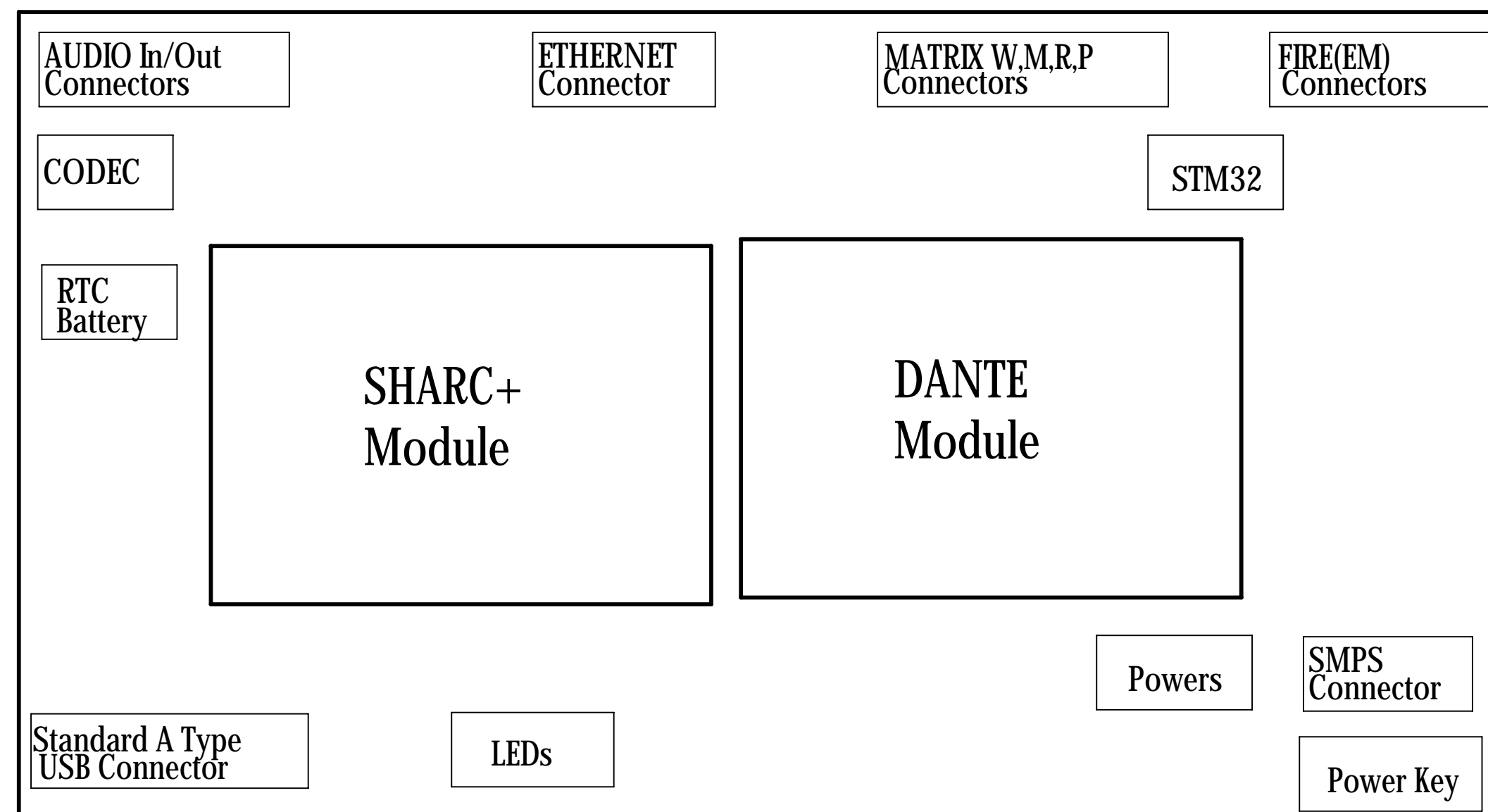
## SHARC+ Module



## DANTE Module



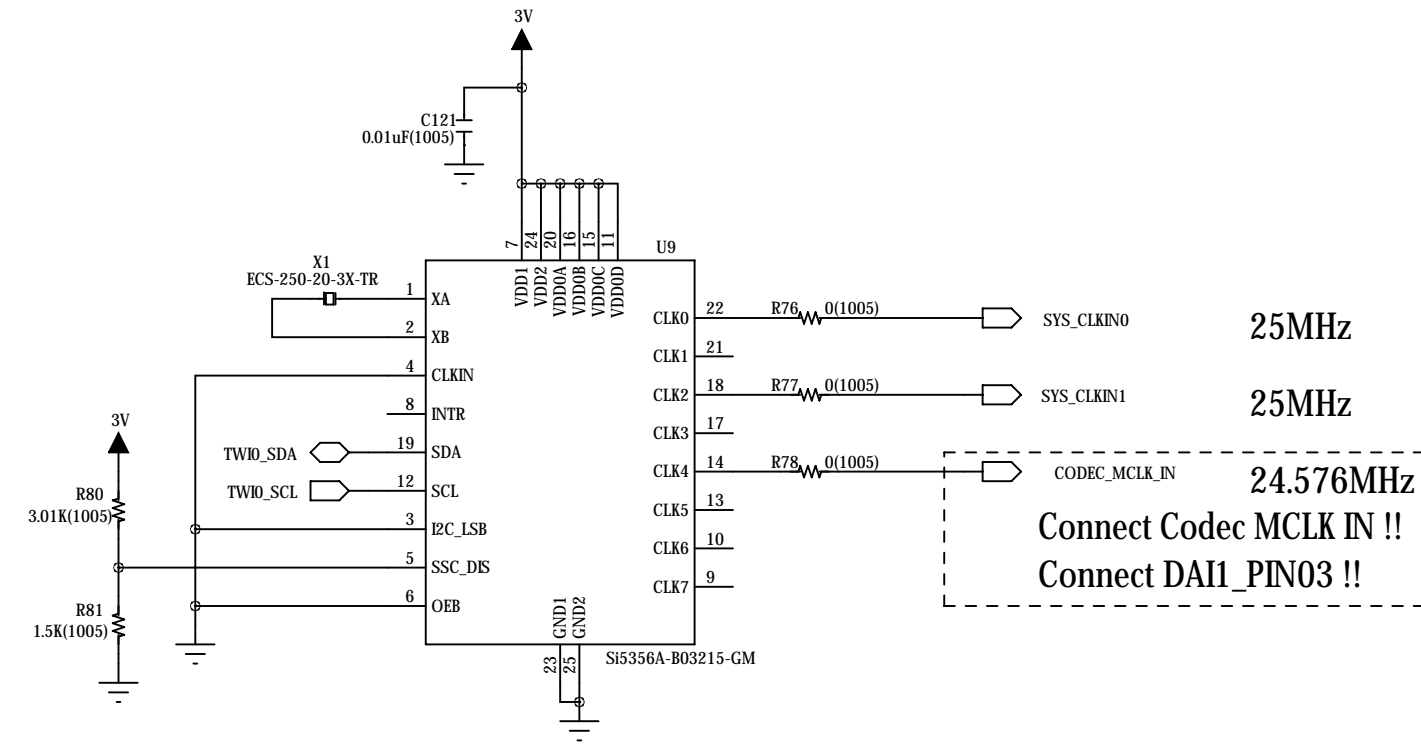
## Base Bd



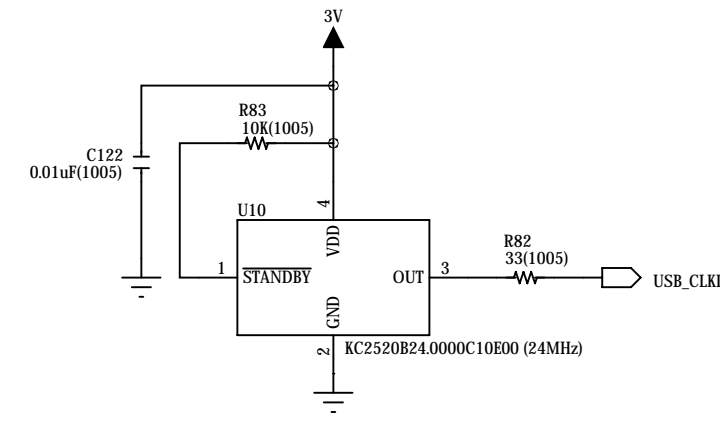
# SHARC+ Module

## CLOCK

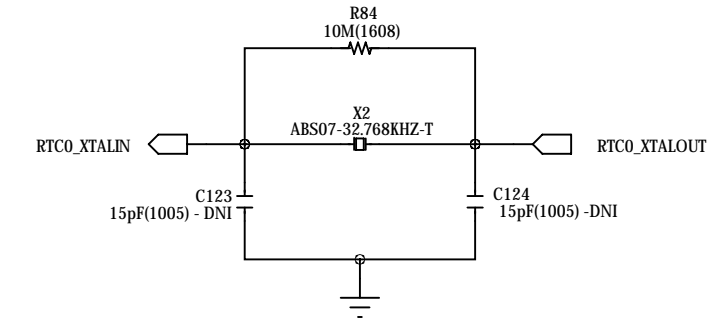
### System/Codec CLK Generator



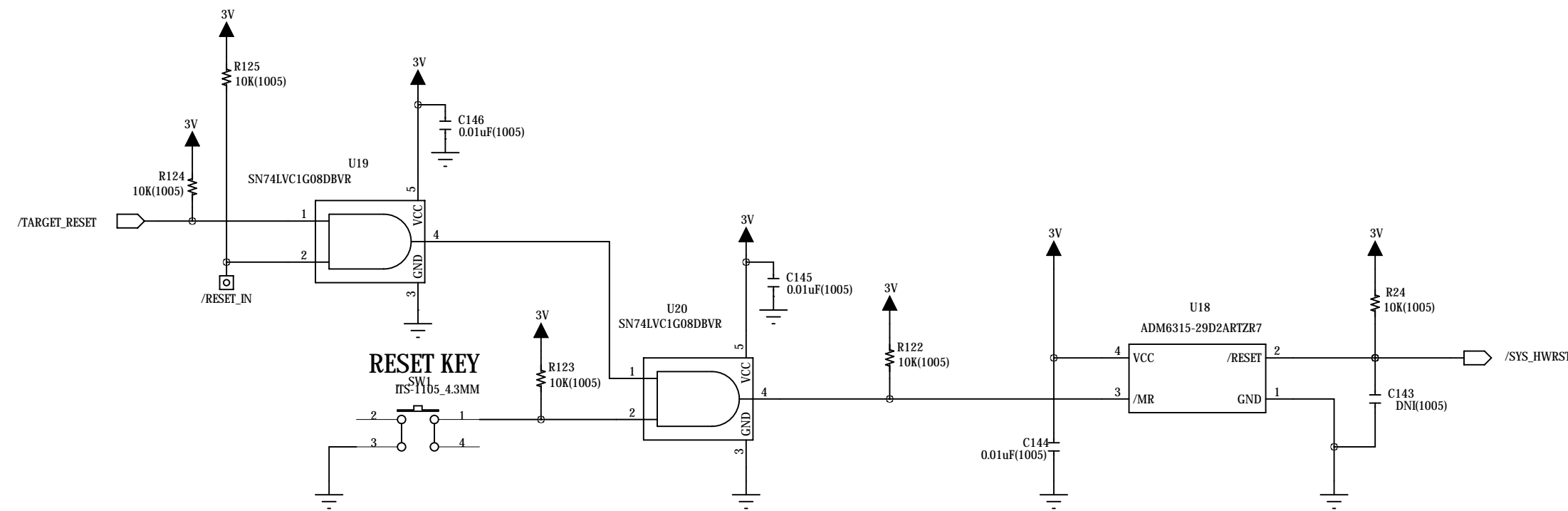
### USB OSC



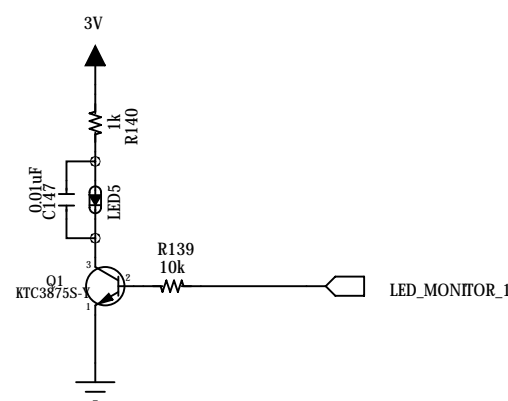
### RTC X-Tal



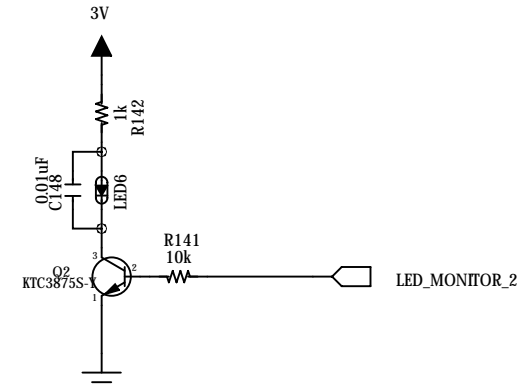
### RESET



### LED\_MONITOR\_#1



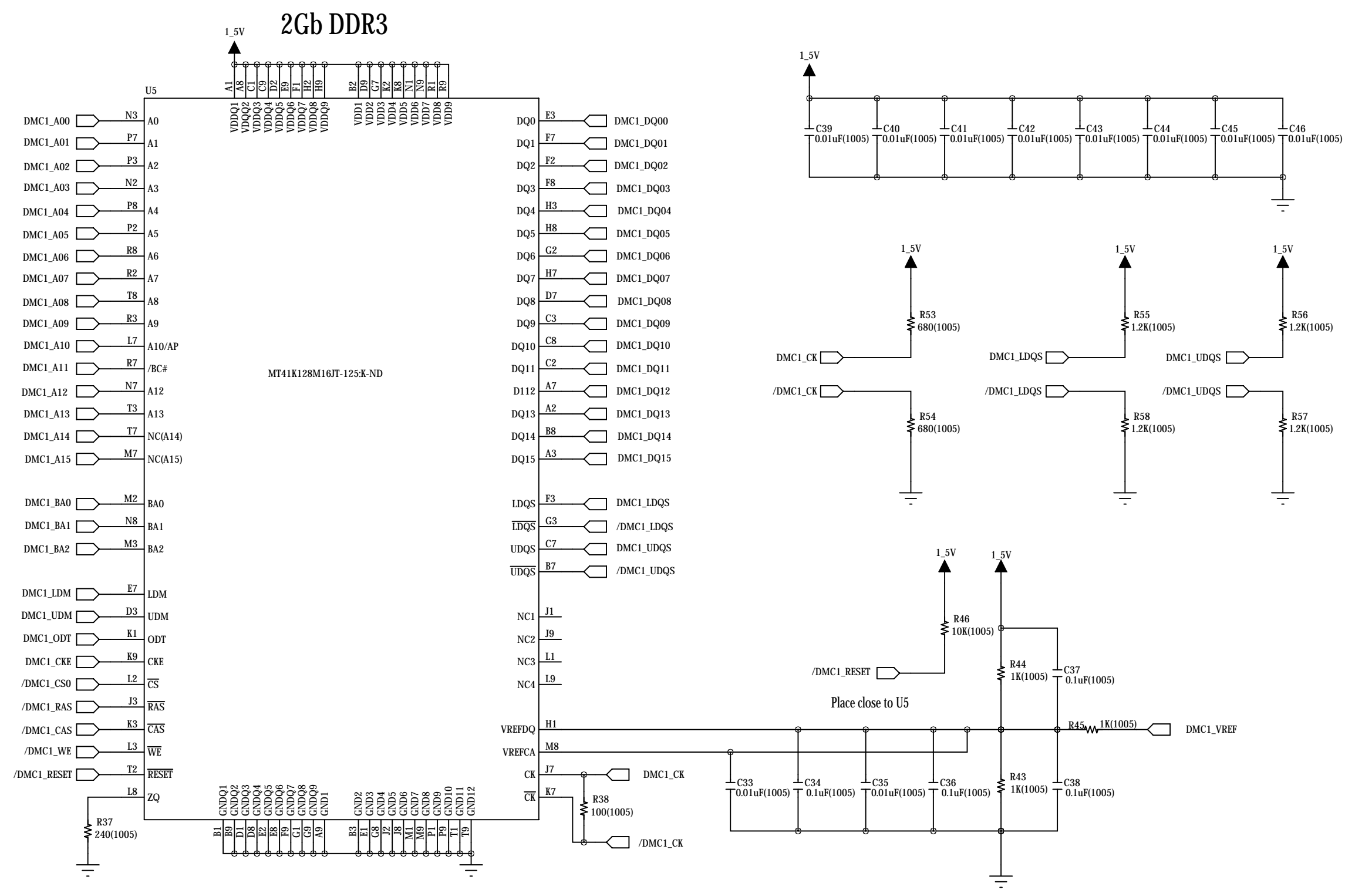
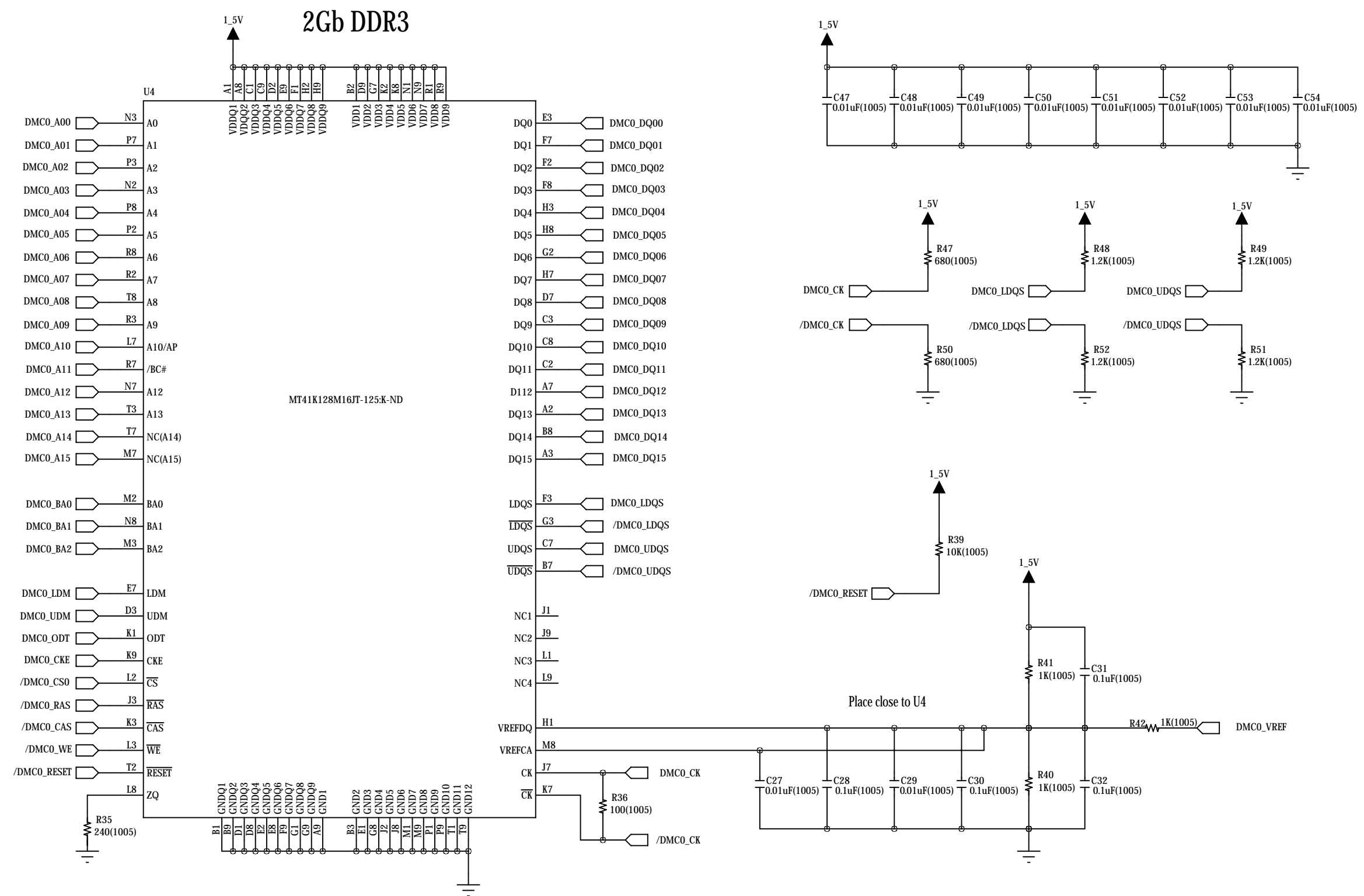
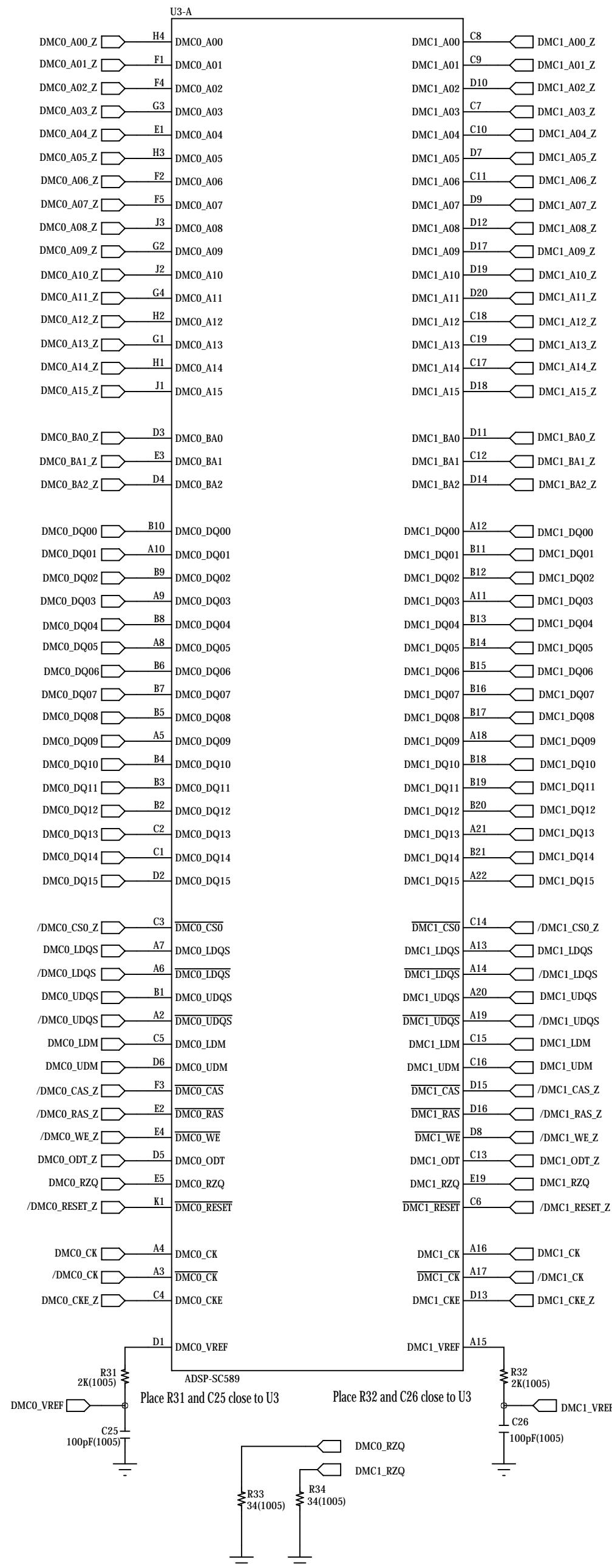
### LED\_MONITOR\_#2



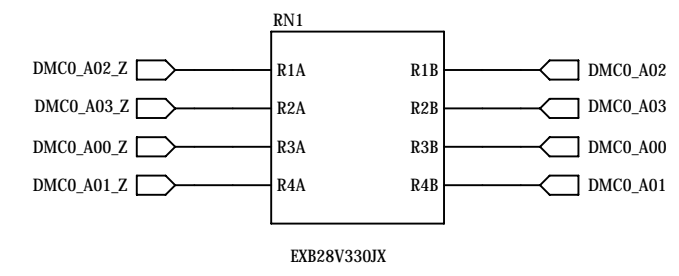
# SHARC+ Module

## DDR3\_INTERFACE

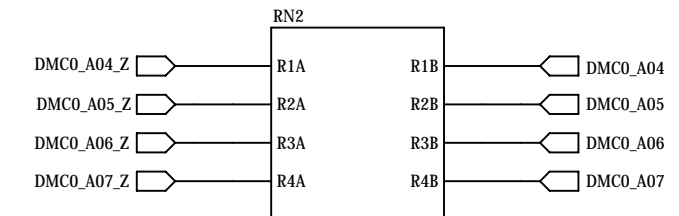
All 50 ohm(Diff 100 ohm) tracks for length matching.



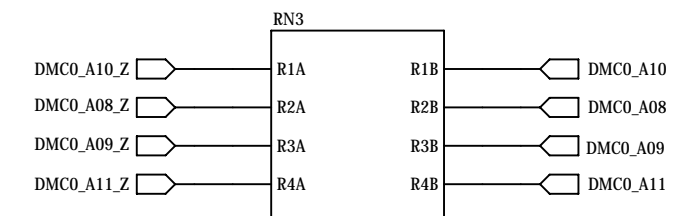
## DDR3\_TERMINATORS



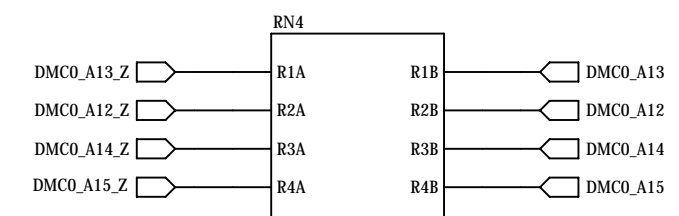
EXB28V330IX



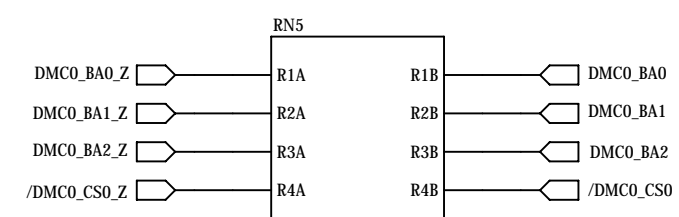
EXB28V330IX



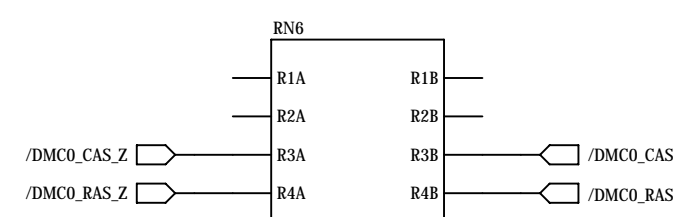
EXB28V330IX



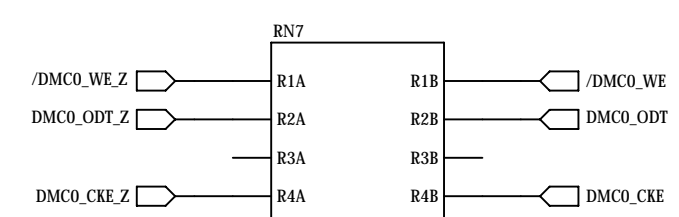
EXB28V330IX



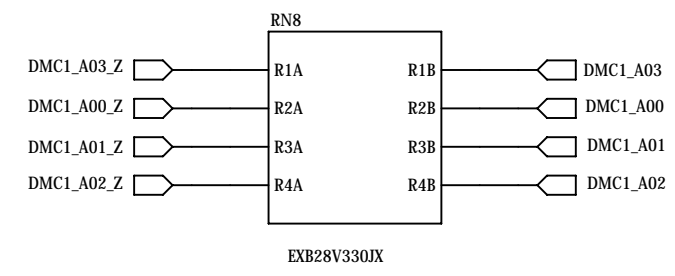
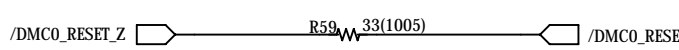
EXB28V330IX



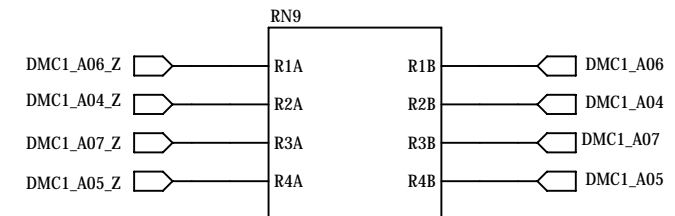
EXB28V330IX



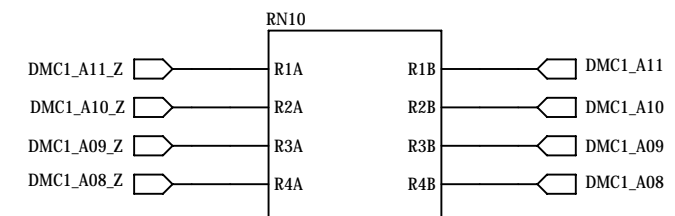
EXB28V330IX



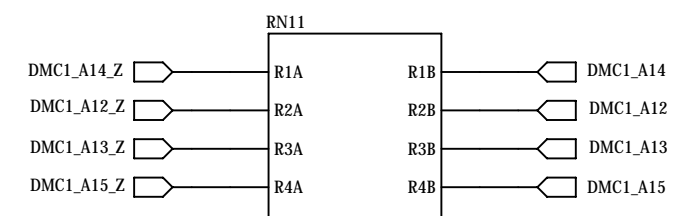
EXB28V330IX



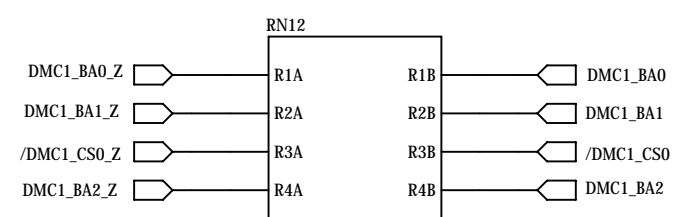
EXB28V330IX



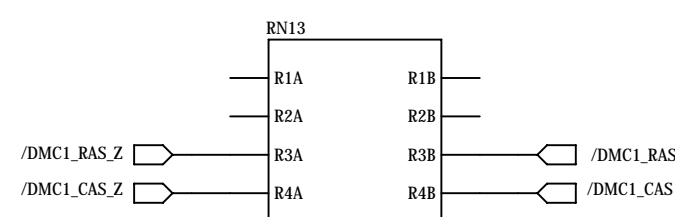
EXB28V330IX



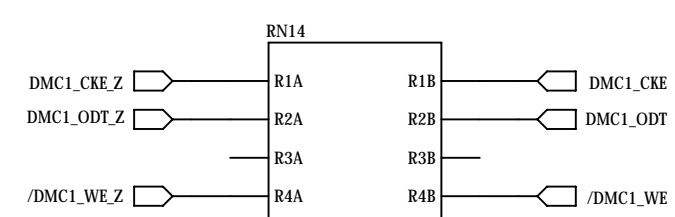
EXB28V330IX



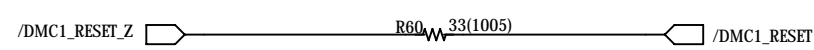
EXB28V330IX



EXB28V330IX



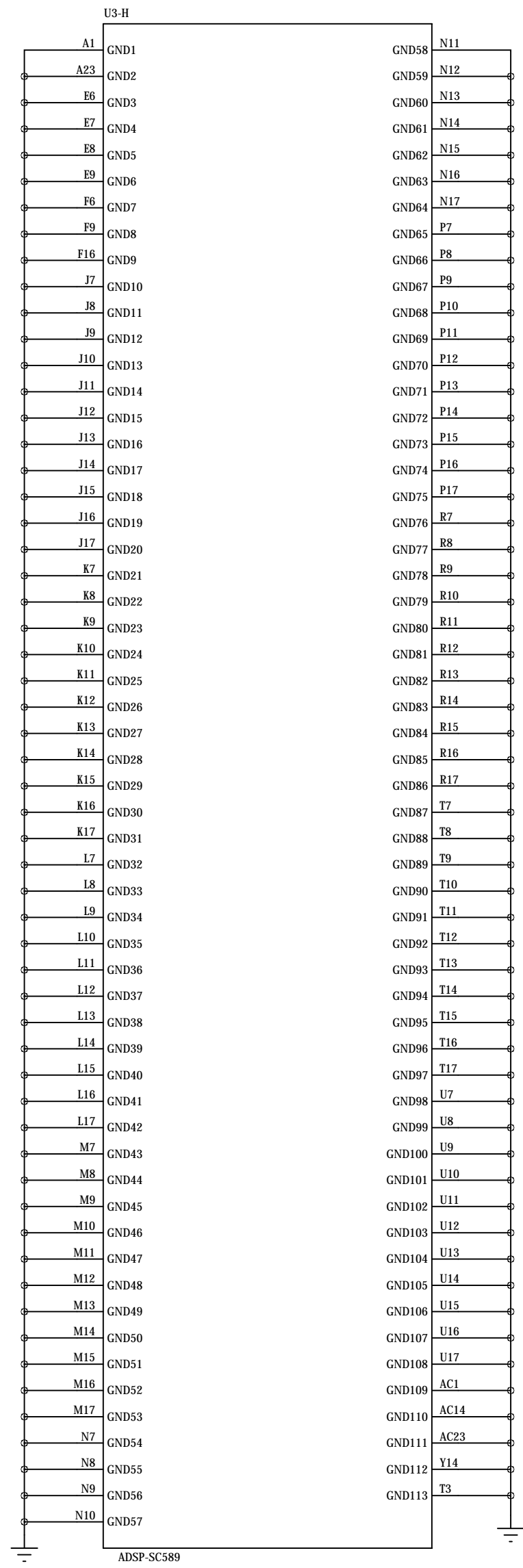
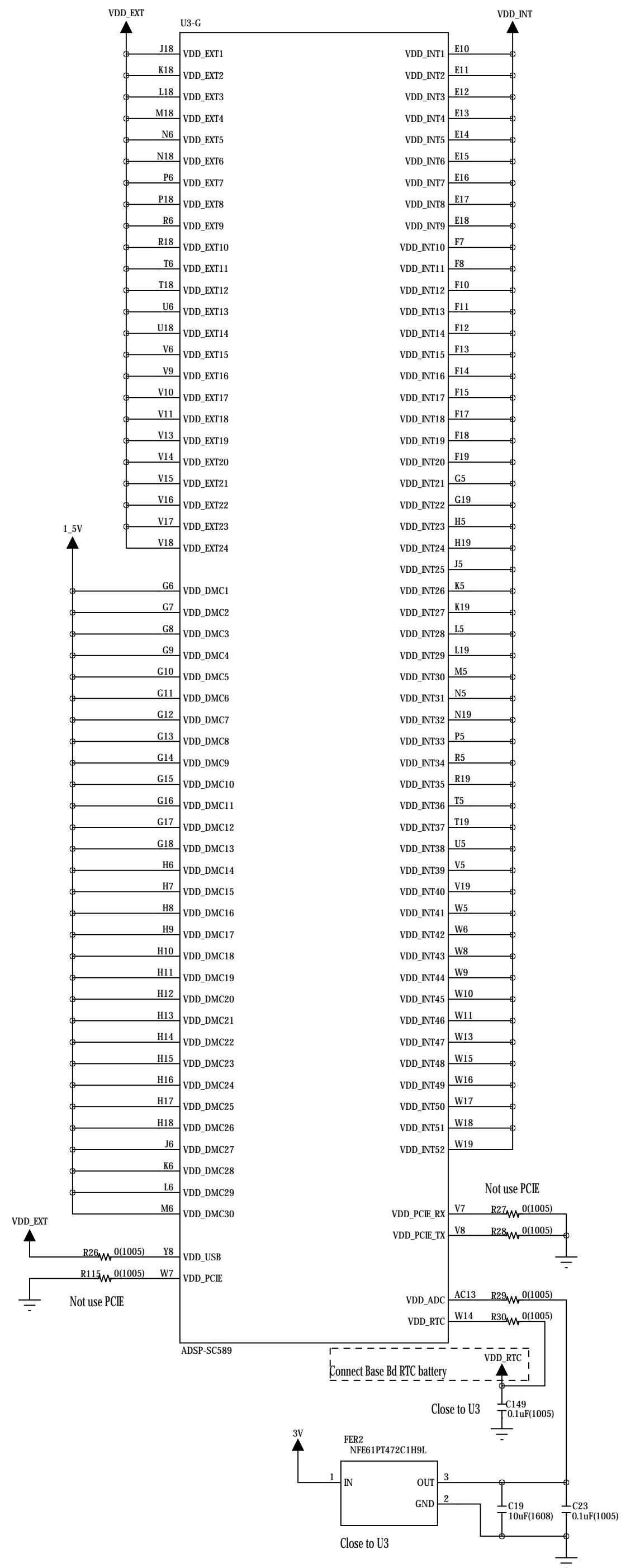
EXB28V330IX





# SHARC+ Module

## PROCESSOR\_POWER/GND

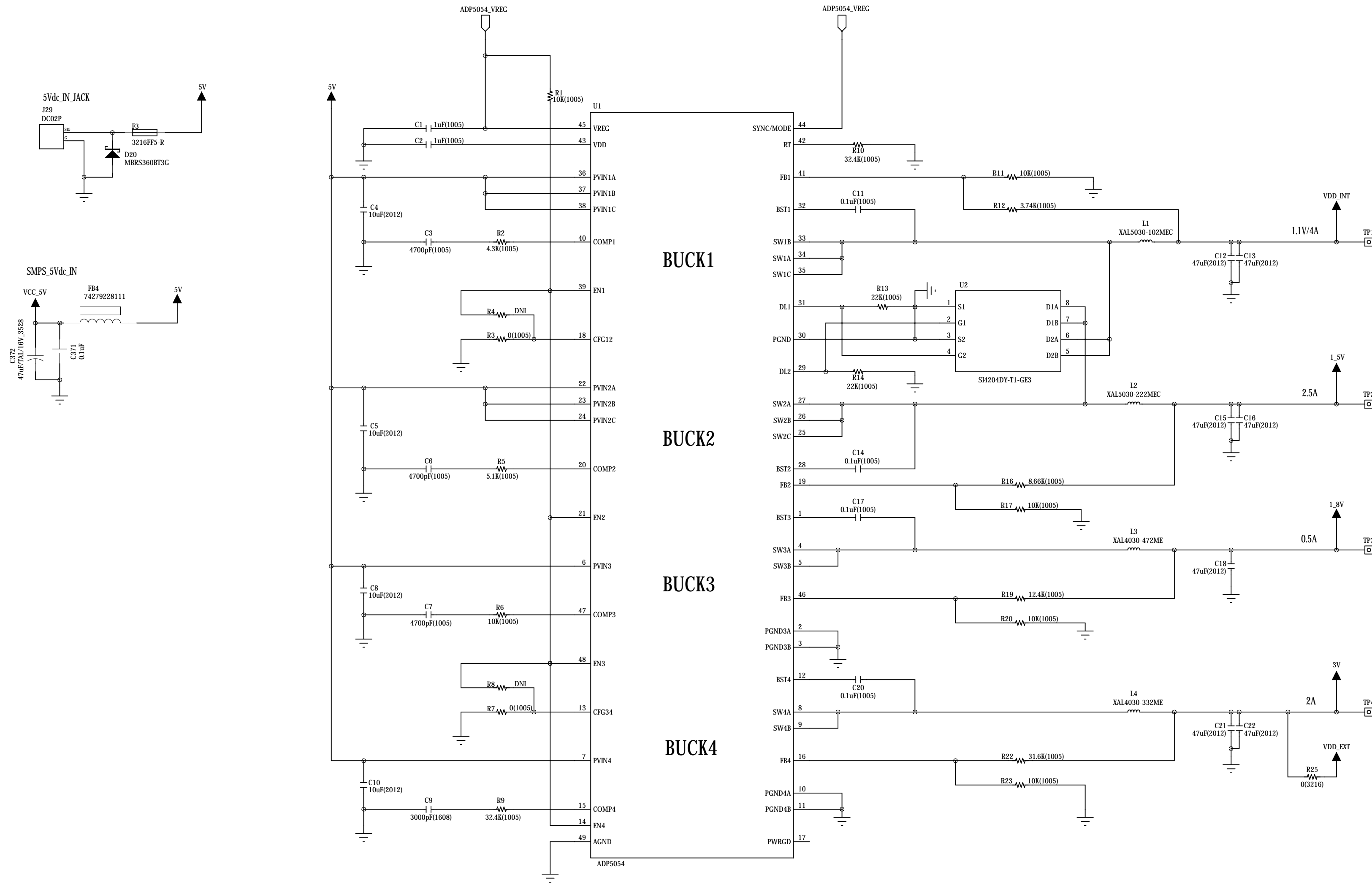


## PROCESSOR\_BYPASS\_CAPS



# SHARC+ Module

## POWER

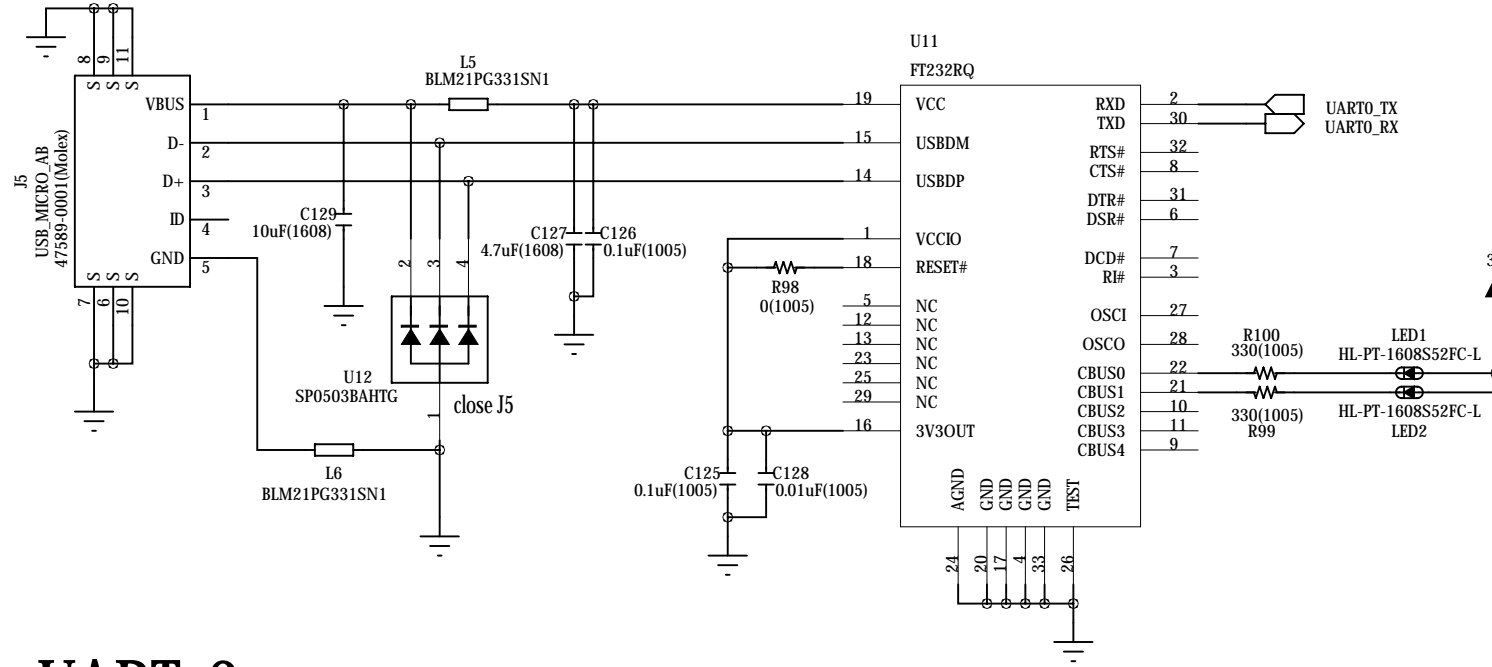




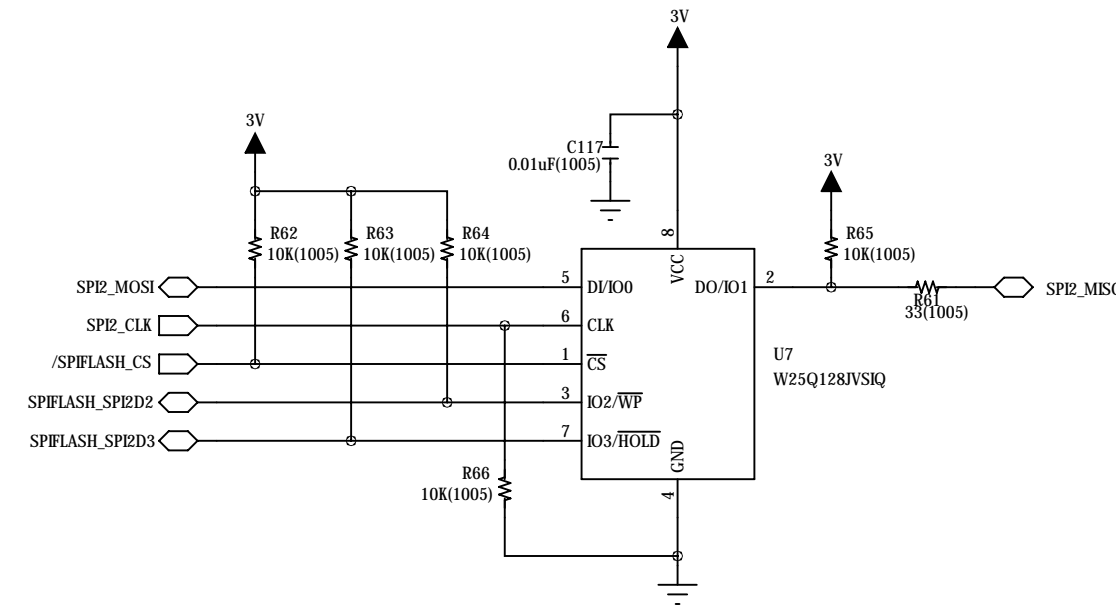


# SHARC+ Module

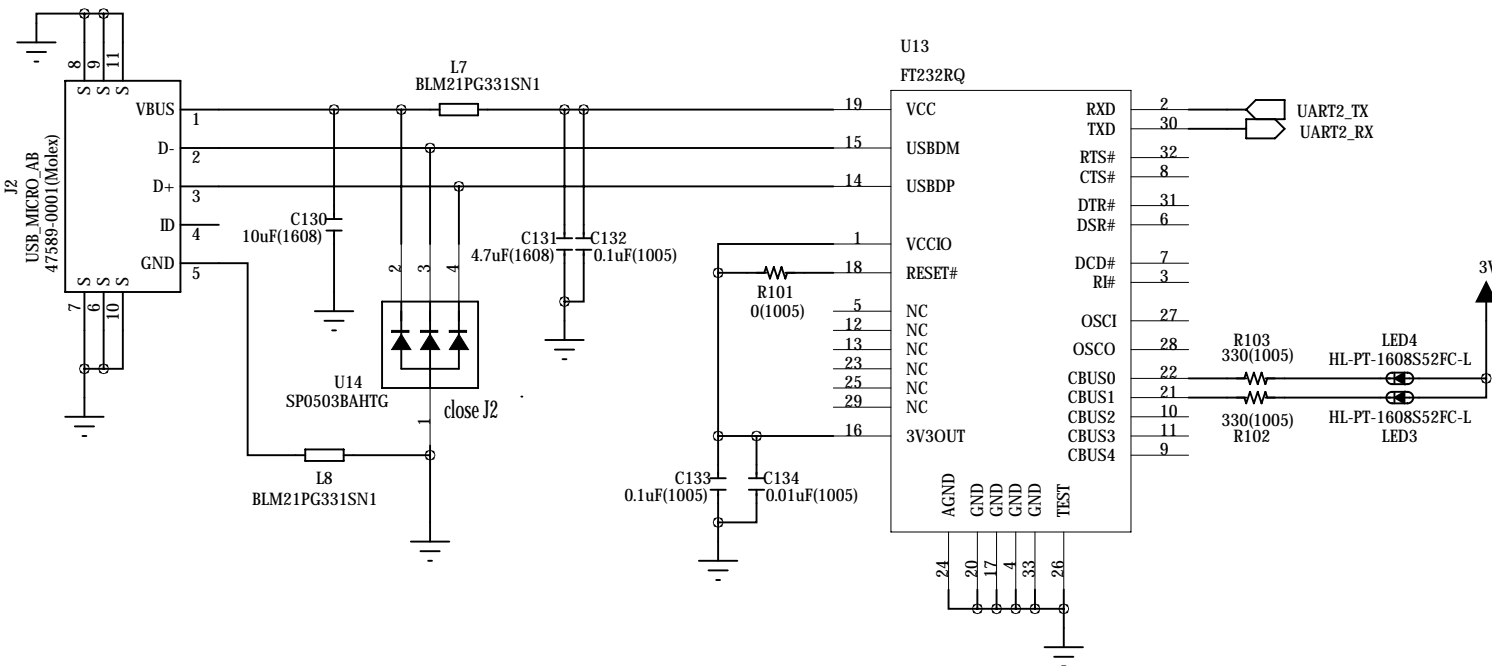
## UART\_0 Micro B Type USB Connector



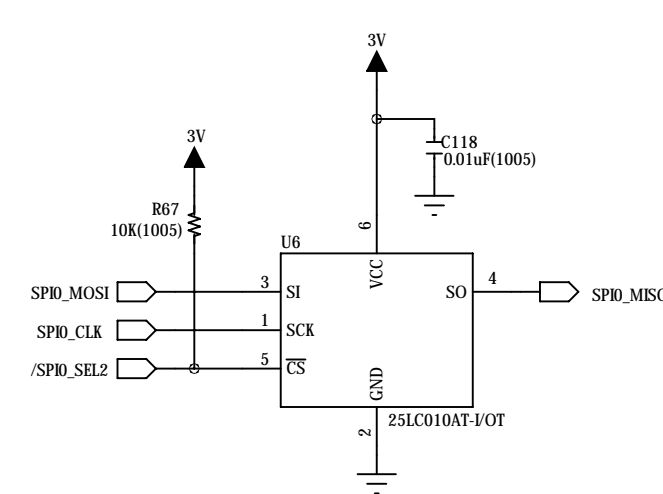
## 128Mb QUAD SPI FLASH Memory



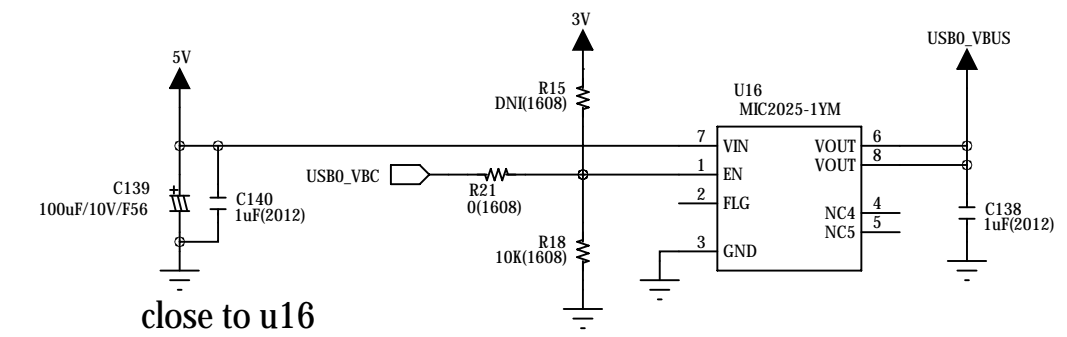
## UART\_2 Micro B Type USB Connector



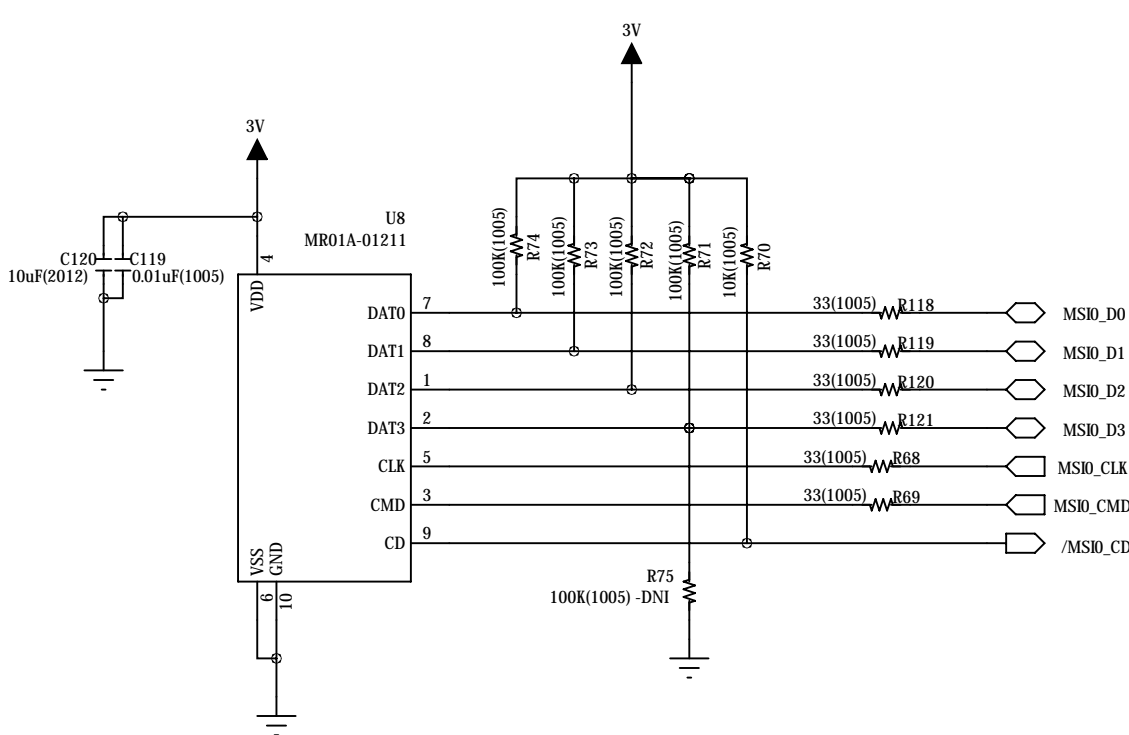
## 1Kb SPI EEPROM



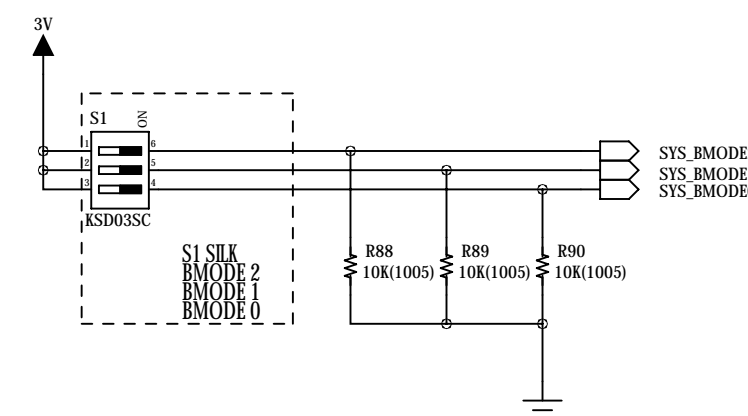
## USB\_0 Power Distribution Switch For Standard A Type USB Connector



## Micro SD Card Socket



## BOOT\_MODE\_SELECT\_SW

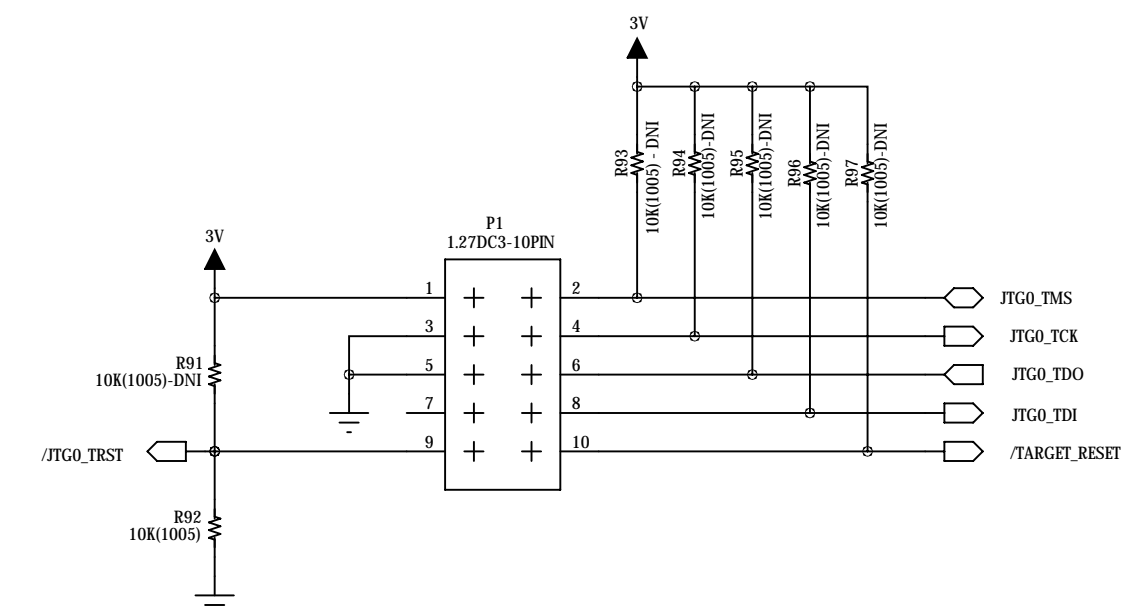


S1: Boot Mode Selection SW

BMODE[2:0]	Boot Source
000	No boot/Custom ROM
001	SPI2 Master boot
010	SPI2 Slave boot
011	Reserved
100	Reserved
101	Reserved
110	LPO Slave boot
111	UART0 Slave boot

Default

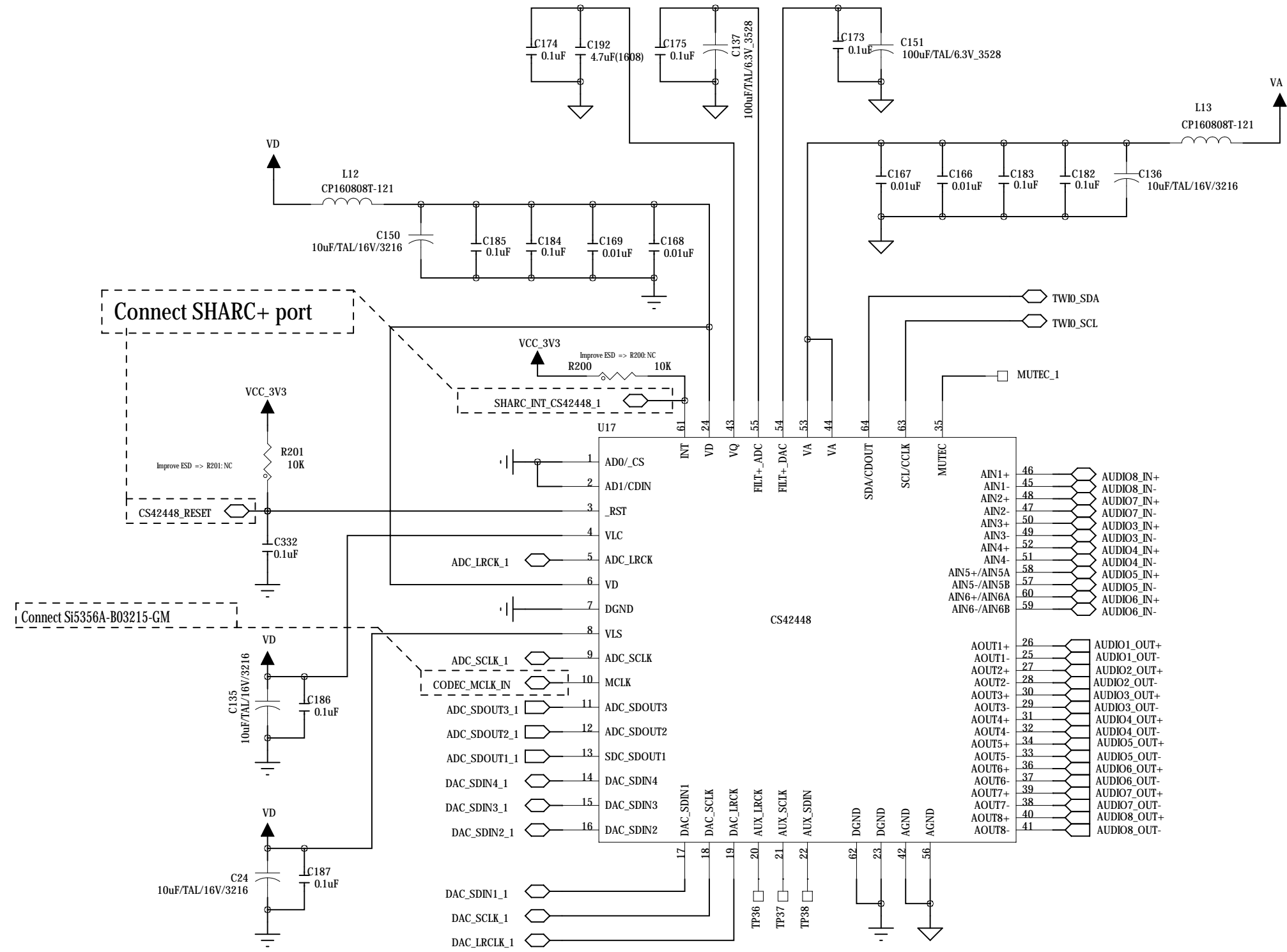
## DEBUG



# BASE\_BD

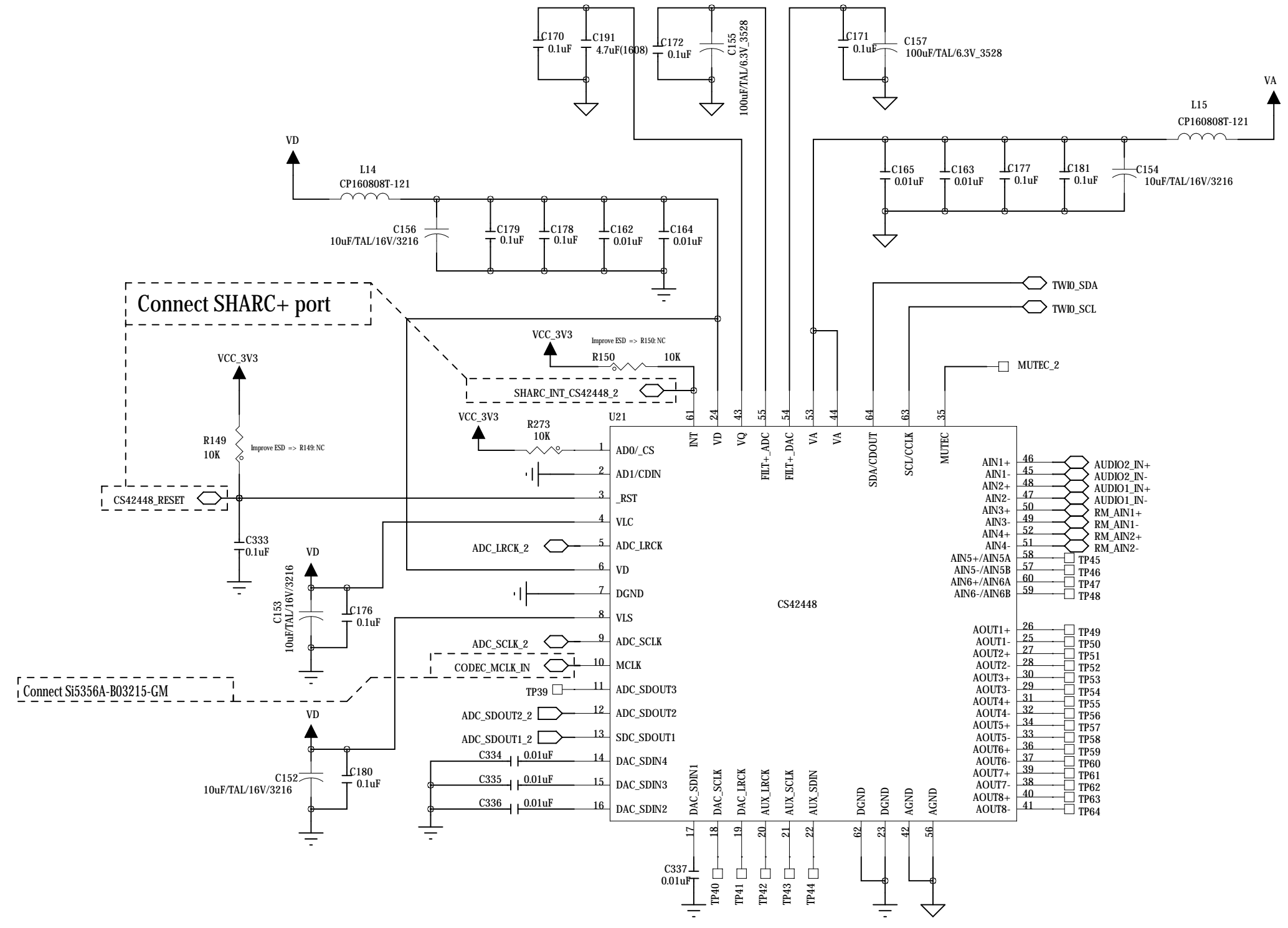
## CODEC\_#1

AD0:0  
AD1:0

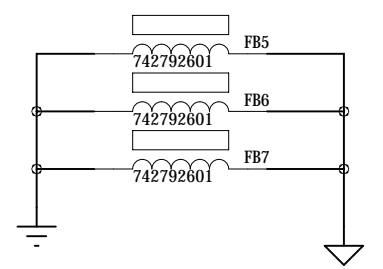
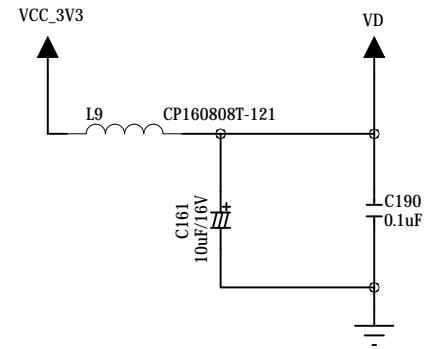
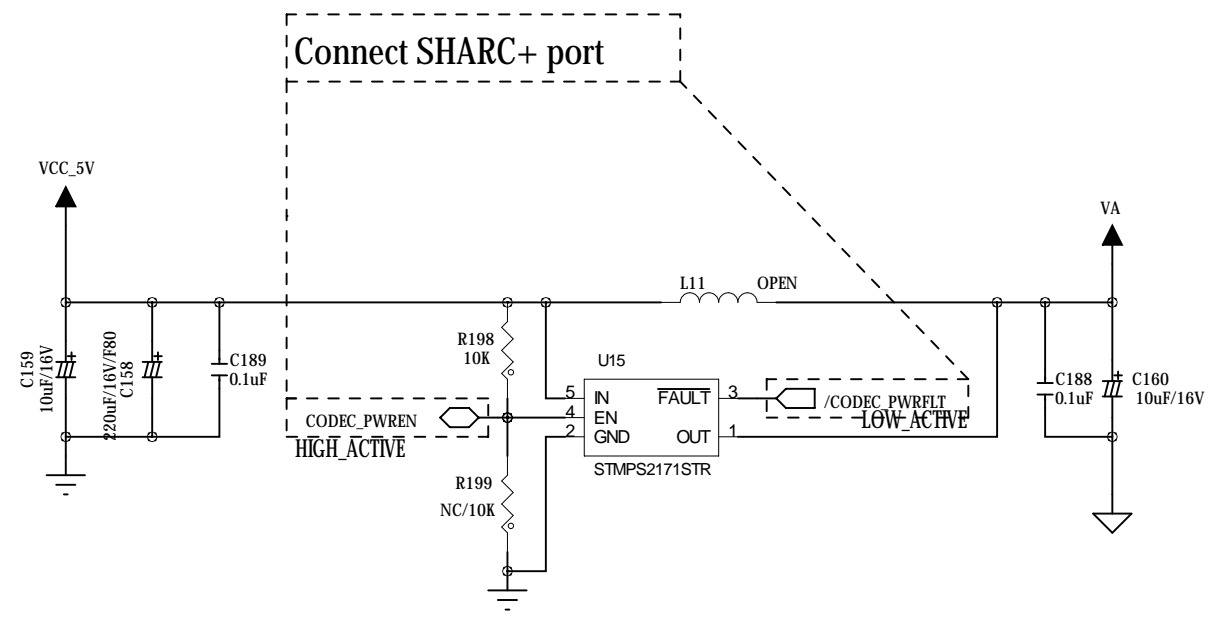


## CODEC\_#2

AD0:1  
AD1:0



### Connect SHARC+ port



## LAN\_Connector

