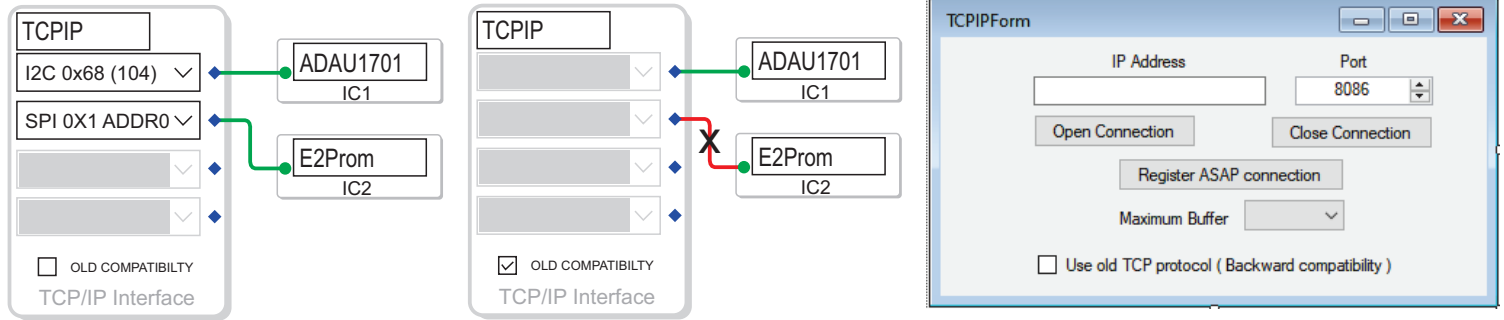


Sigma Studio TCP/IP Sugestions

Sigma Studio TCP/IP New Module

With retro-compatibility, so will not break functionality for customers who have developed with current protocol.



Sigma Studio, New TCP/IP Protocol.

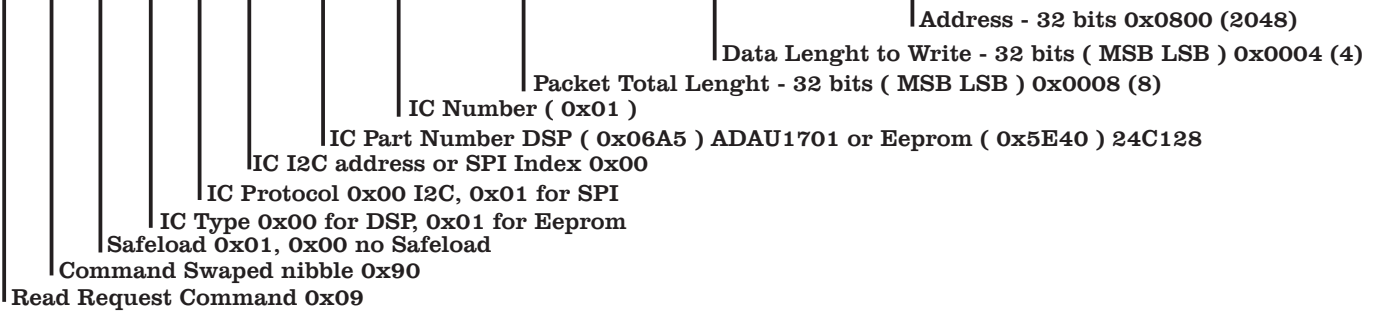
This will allow a single TCP Module to communicate with all Sigma DSPs with same code, using *same code, also allowing DSP Upgrades/New projects without create entire new microprocessor code.

Note: Write packets also must be with 32 bits, not only read packets, and more IC information, apply only on header!

Note: For Ics wich requires only 16 bits address/size, ignore High Word(MSB), also set it to (0x00, 0x00)

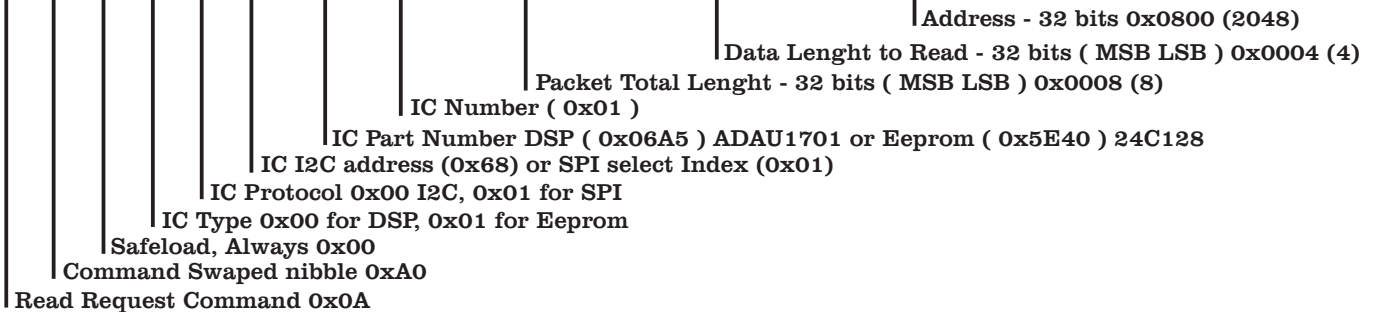
Sigma Studio (Write)

09 90 00 00 00 00 06 A5 01 00 00 00 08 00 00 00 04 00 00 08 00



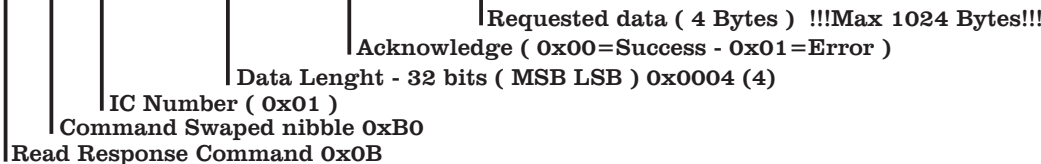
Sigma Studio (Read Request)

0A A0 00 00 00 00 06 A5 01 00 00 00 08 00 00 00 04 00 00 08 00



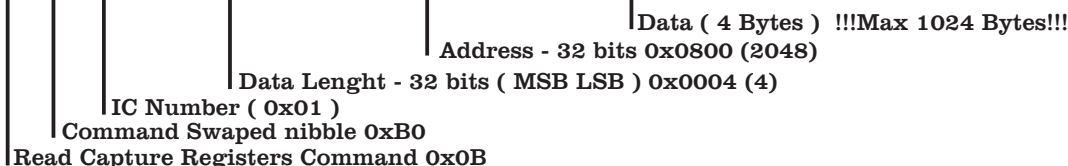
Micro Processor (Read Response)

0B B0 01 00 00 00 04 00 00 00 00 00



Micro Processor (Read Capture Registers Response without Request)

0C C0 01 00 00 00 04 00 00 04 00 00 00 00



Sigma Studio Assynchronous TCP/IP