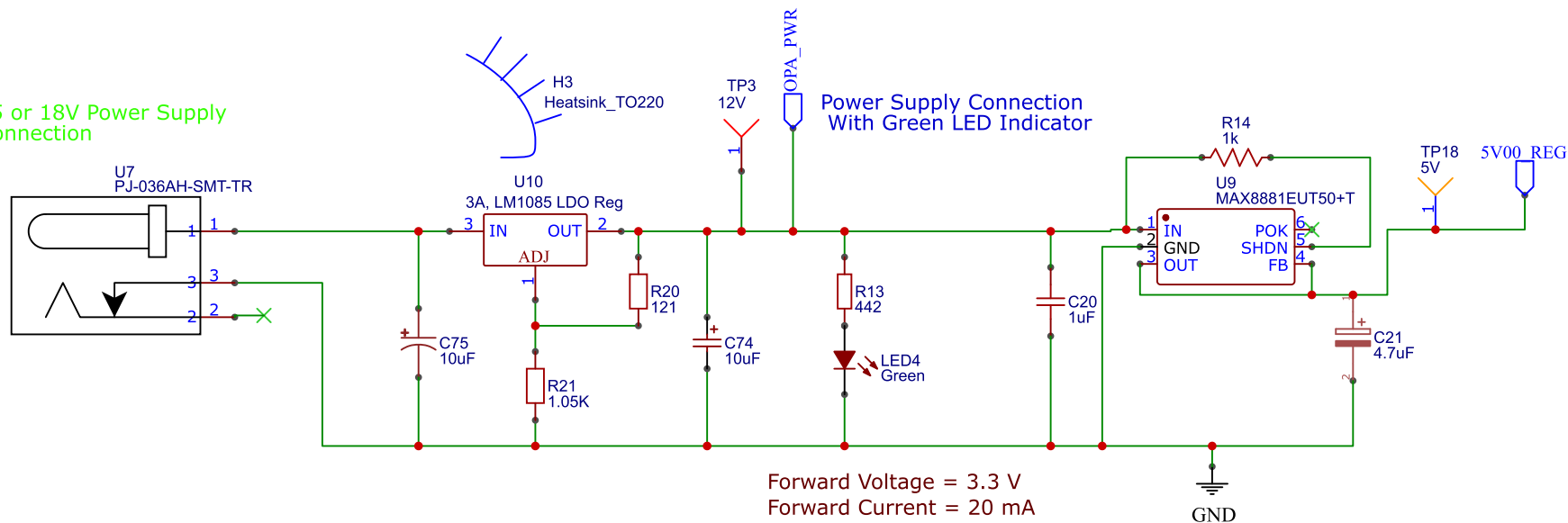


TITLE: CODEC		REV: 1.0
Company: MKMI2022		Sheet: 1/1
Date: 2022-01-10	Drawn By: Mark Thompson	

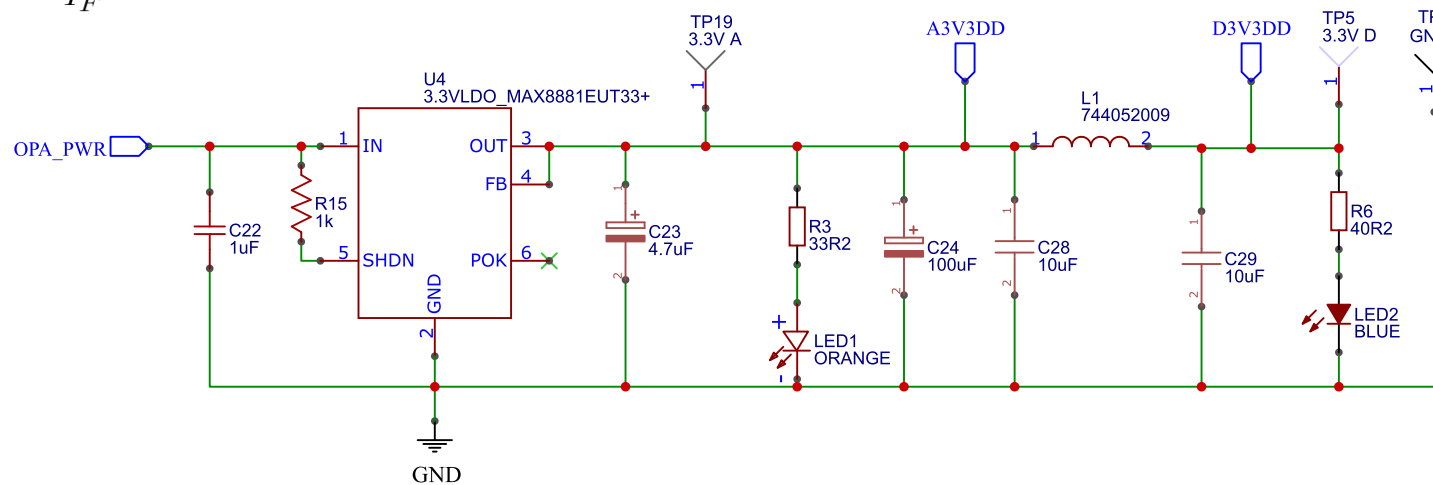
Don't forget to design in a star connection point for the analogue and digital grounds forming a common ground point.

15 or 18V Power Supply Connection

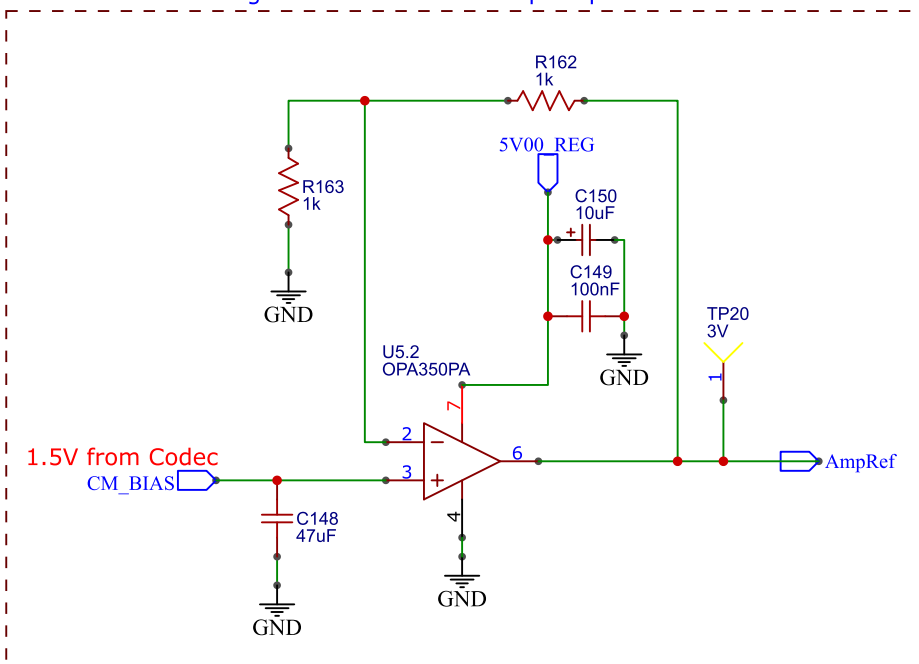


Forward Voltage = 3.3 V
Forward Current = 20 mA

$$R = \frac{V_S - V_F}{I_F}$$

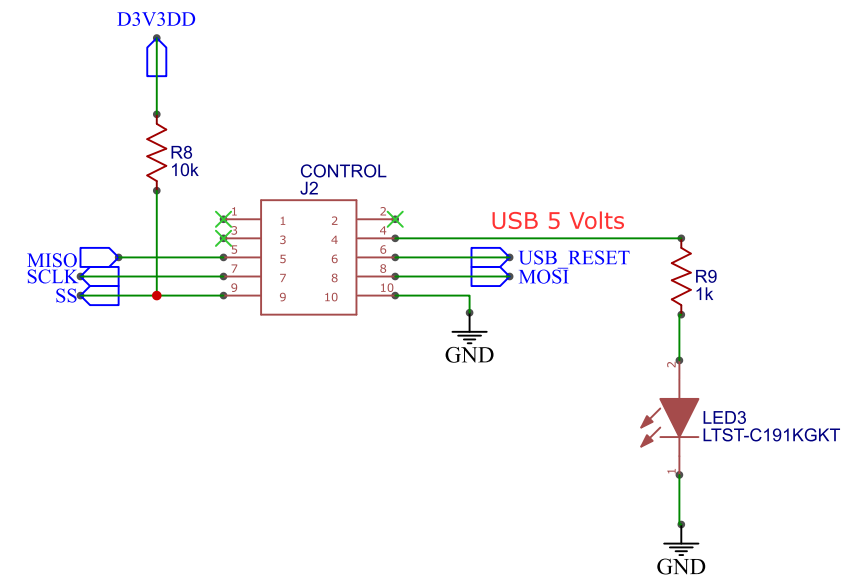
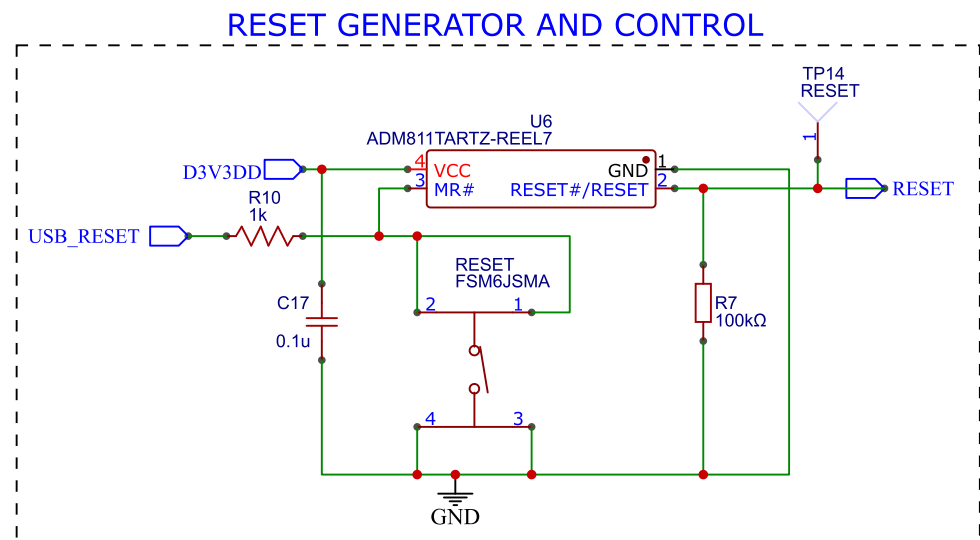


Buffer CM Bias voltage to each Differential Op Amp

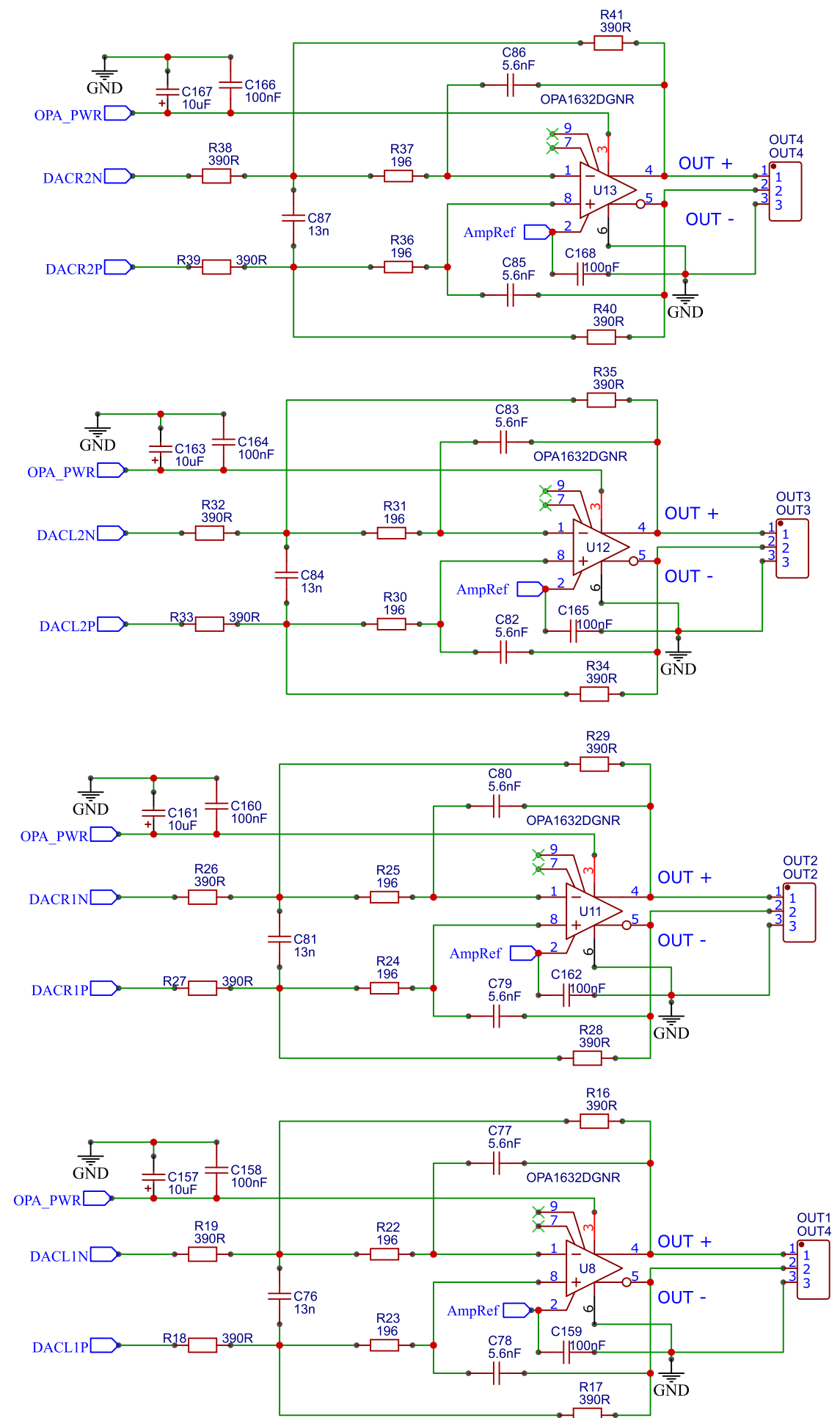


TITLE:	Regulated Analogue & Digital supply voltages	REV: 1.0
Company:	MKMI2022	Sheet: 1/1
Date:	2022-05-14	Drawn By: Mark Thompson

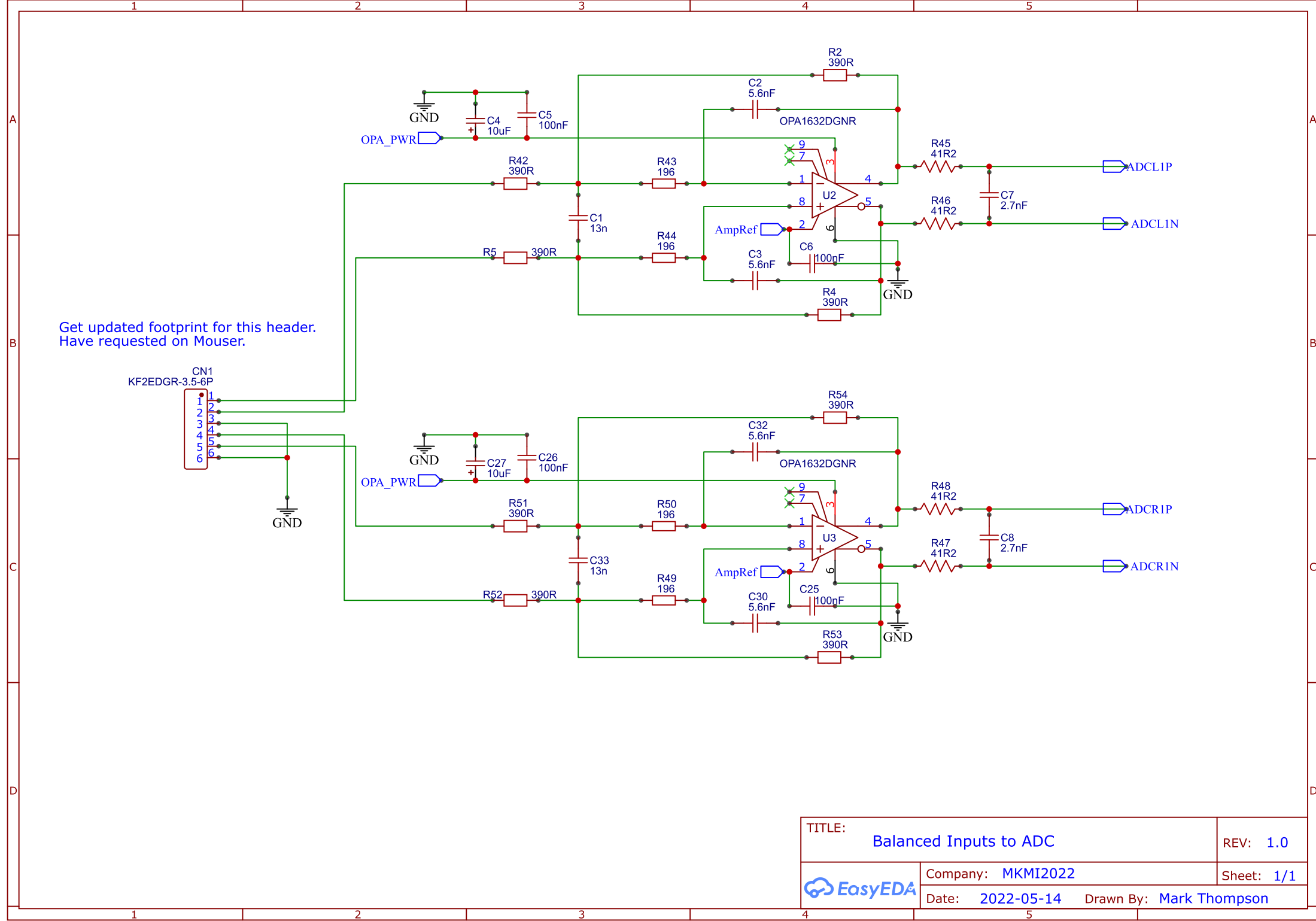




TITLE: CONTROLS		REV: 1.0
	Company: MKMI2022	Sheet: 1/1
	Date: 2022-04-26 Drawn By: Mark Thompson	



TITLE: DAC to balanced output buffers		REV: 1.0
	Company: MKMI2022	Sheet: 1/1
	Date: 2022-05-14	Drawn By: Mark Thompson



TITLE: Balanced Inputs to ADC		REV: 1.0
	Company: MKMI2022	Sheet: 1/1
	Date: 2022-05-14	Drawn By: Mark Thompson