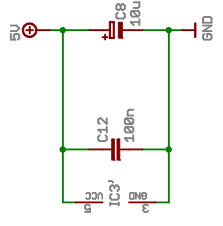
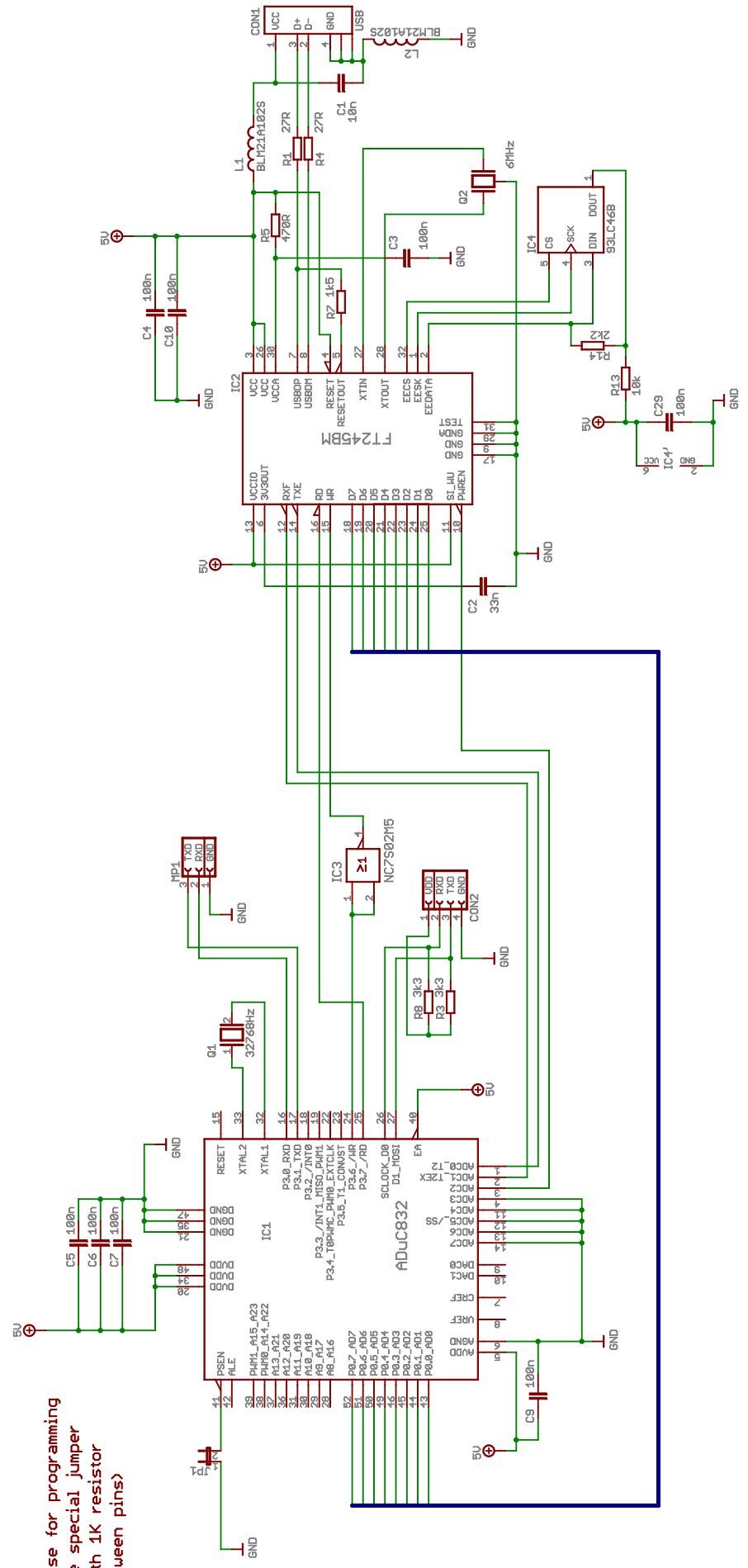
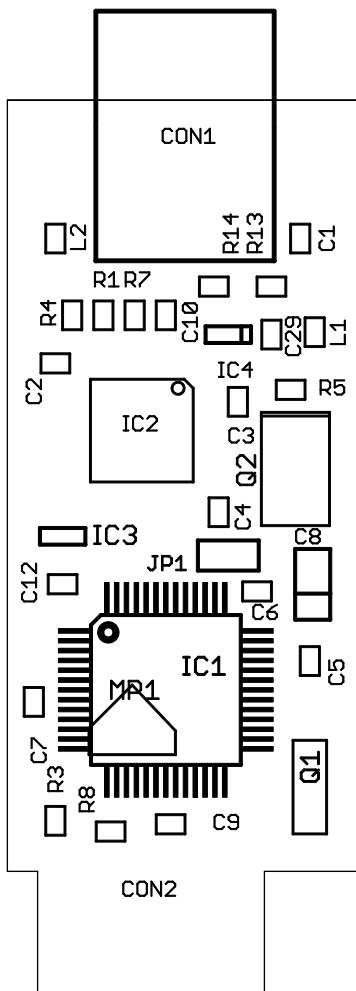


close for programming  
use special jumper  
(with 1K resistor  
between pins)







BOM for I2C-Dongle Revision 1.2

Part	Value	Supplier	Type	Package
C1	10n		ceramic C	X7R 805
C2	33n		ceramic C	X7R 805
C3	100n		ceramic C	X7R 805
C4	100n		ceramic C	X7R 805
C5	100n		ceramic C	X7R 805
C6	100n		ceramic C	X7R 805
C7	100n		ceramic C	X7R 805
C8	10u / 10V		Elko	Tantal 1206
C9	100n		ceramic C	X7R 805
C10	100n		ceramic C	X7R 805
C12	100n		ceramic C	X7R 805
C29	100n		ceramic C	X7R 805
CON1			USB Connector	USB-B
CON2			Board Connector	SIL 4 Pins RM 2.54 mm 90° female
IC1	ADuC832	ADI	Microcontroller	PQFP-52
IC2	FT245BM	FTDI	USB-Device	LQFP-32
IC3	NC7S02M5	Fairchild	Single NOR	SOT-23-5
IC4	93LC46B	Microchip	EEPROM	SOT-23-6
L1	BLM21A102S	muRata	Ferrit Bead	805
L2	BLM21A102S	muRata	Ferrit Bead	805
Q1	32768Hz		Clock Crystal	Diameter 2 mm / 6 mm Len
Q2	6MHz	muRata	Resonator	7 x 3 mm
R1	27R		Resistor 5%	805
R3	3k3		Resistor 5%	805
R4	27R		Resistor 5%	805
R5	470R		Resistor 5%	805
R7	1k5		Resistor 5%	805
R8	3k3		Resistor 5%	805
R13	10k		Resistor 5%	805
R14	2k2		Resistor 5%	805