

6

5

4

3

2

1

REVISION RECORD			
LTR	ECO NO:	APPROVED:	DATE:

D

D

C

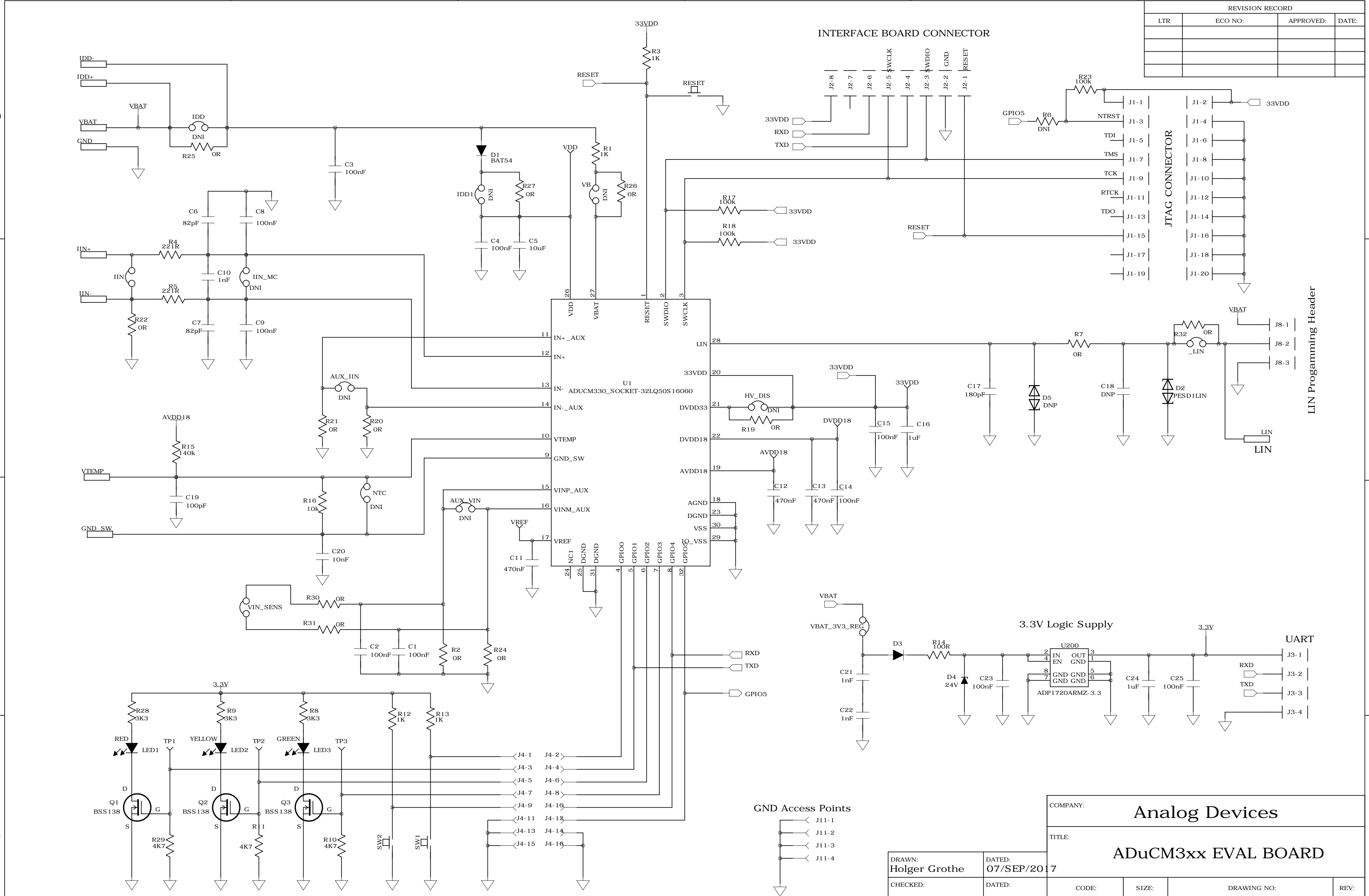
C

B

B

A

A



DRAWN: Holger Grothe	DATED: 07/SEP/2017
CHECKED:	DATED:
QUALITY CONTROL:	DATED:
RELEASED:	DATED:

COMPANY: Analog Devices			
TITLE: ADuCM3xx EVAL BOARD			
CODE:	SIZE:	DRAWING NO:	REV:
A2EVAL-ADuCM330EBZD			
SCALE:			SHEET QF