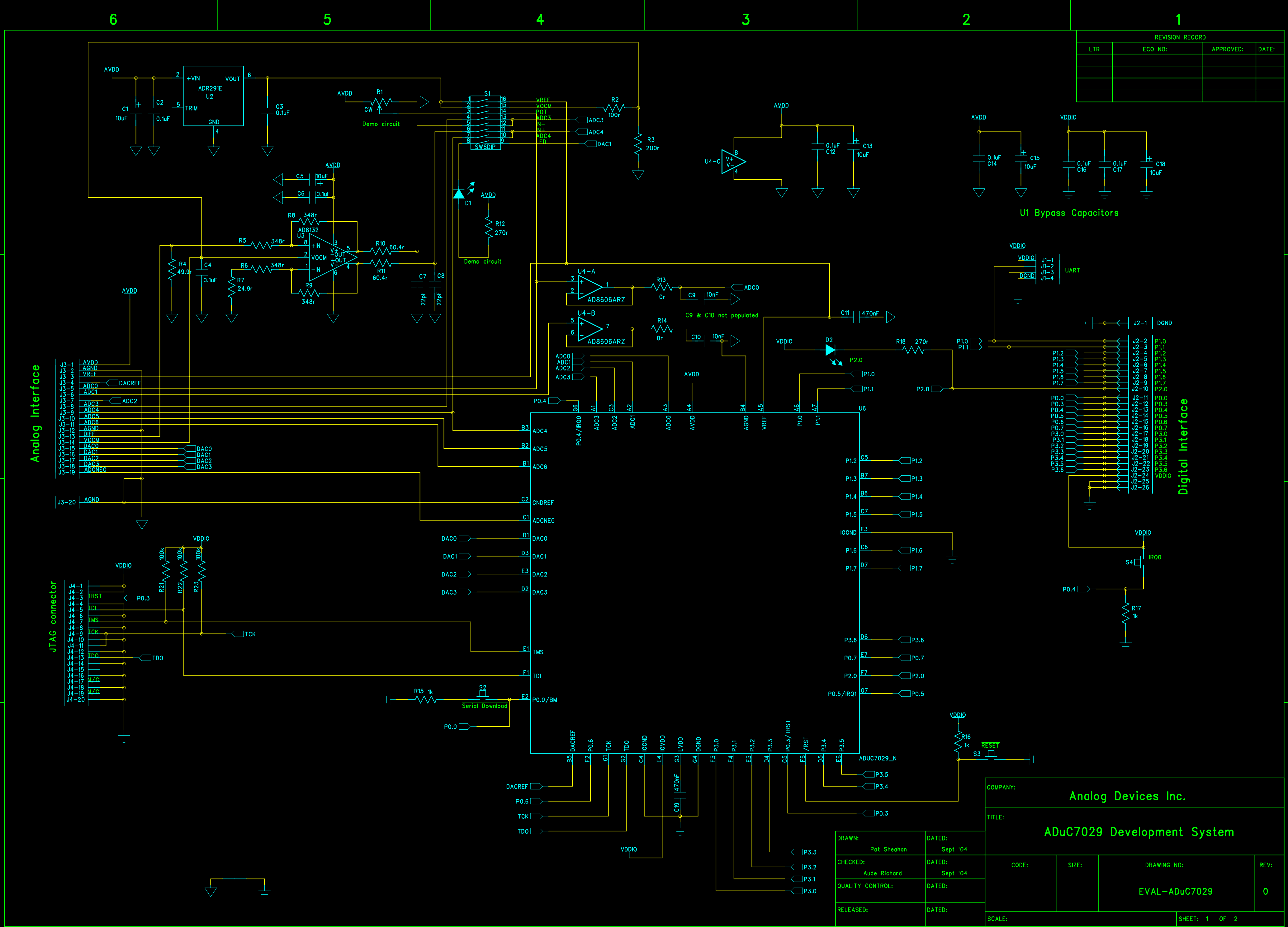


REVISION RECORD			
LTR	ECO NO:	APPROVED:	DATE:



COMPANY: Analog Devices Inc.			
TITLE: ADuC7029 Development System			
CODE:	SIZE:	DRAWING NO:	REV:
EVAL-ADuC7029			0
SCALE:			SHEET: 1 OF 2

DRAWN: Pat Sheahan	DATED: Sept '04
CHECKED: Aude Richard	DATED: Sept '04
QUALITY CONTROL:	DATED:
RELEASED:	DATED:

6

5

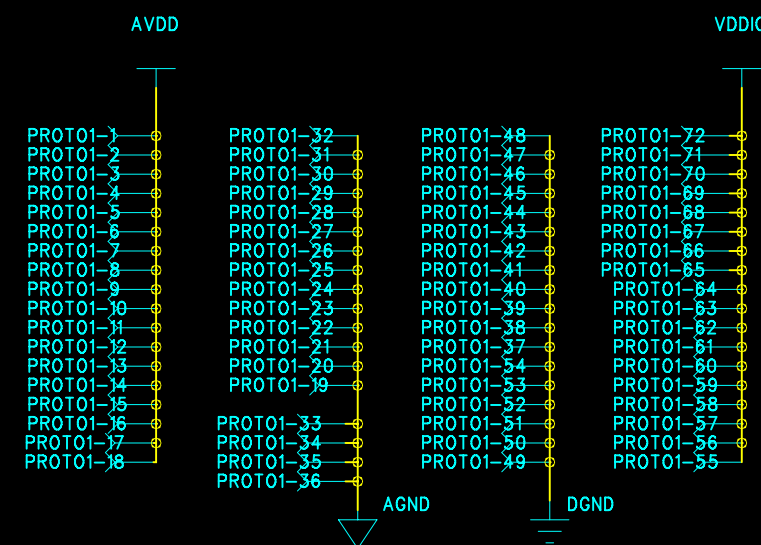
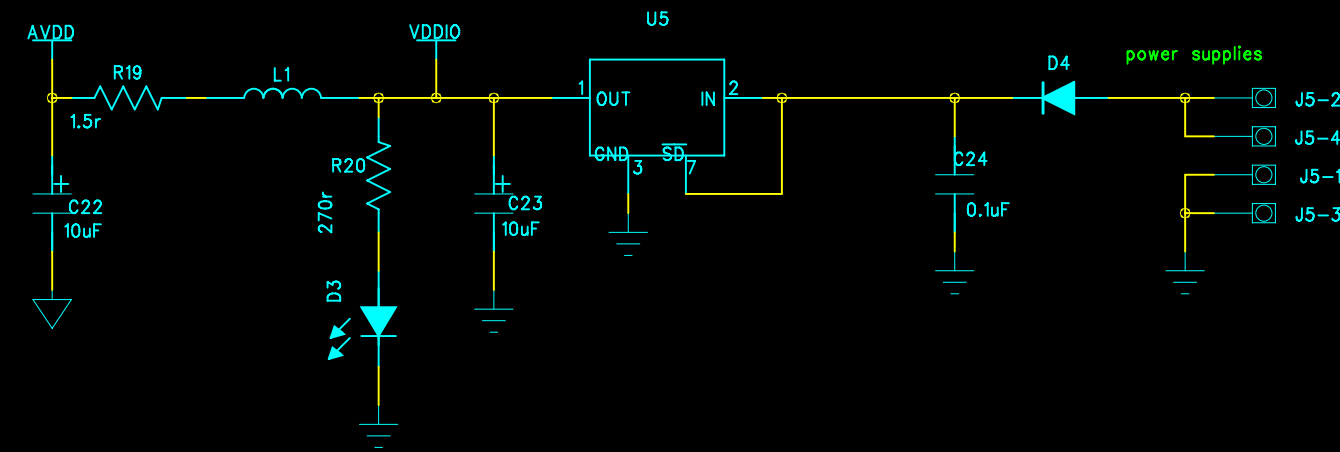
4

3

2

1

REVISION RECORD			
LTR	ECO NO:	APPROVED:	DATE:



S028WM_NB
W1_1

S028WM_NB
W2_1

COMPANY:			
TITLE:			
CODE:	SIZE:	DRAWING NO:	REV:
SCALE:		SHEET: OF	

DRAWN:	DATED:
CHECKED:	DATED:
QUALITY CONTROL:	DATED:
RELEASED:	DATED: