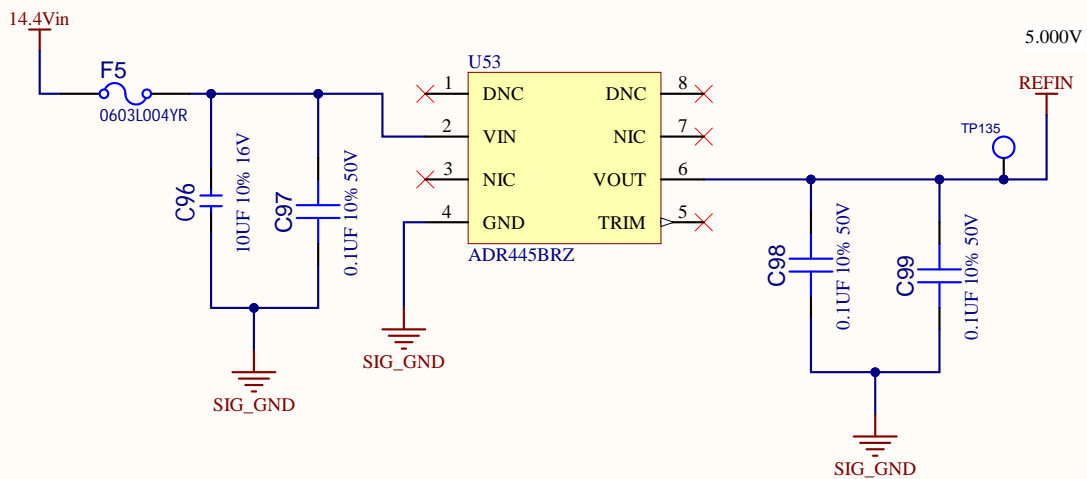


REFERENCE CIRCUIT

Max voltage drop across the fuse F5 at 10 mA =
 $10 \text{ mA} \times 40 = 0.4\text{V}$
 Hold current is 24mA at 60C



Title		
Size	Number	Revision
A		
Date:	6-07-2024	Sheet of
File:	\\.\ADR445BRZ.SchDoc	Drawn By: