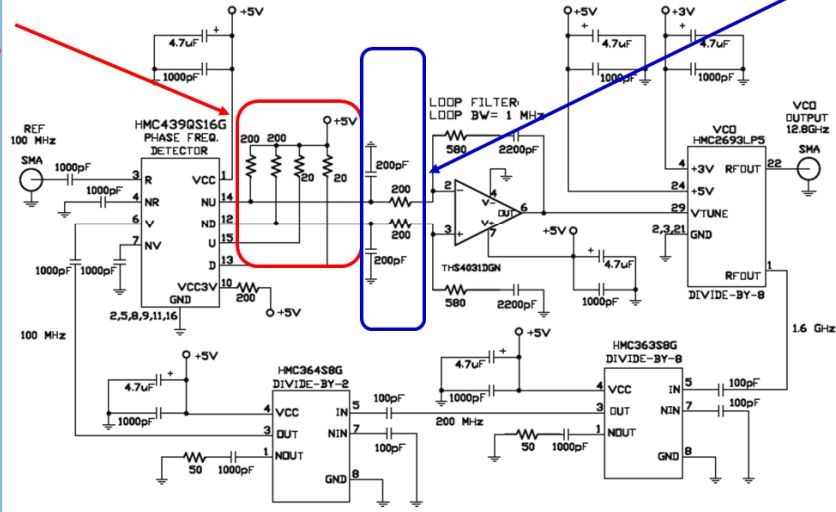


Typical PLL Application Circuit usina HMC439QS16G

PLL application shown for a 12.8 GHz Fout. Contact ADI to discuss your specific application.

Pull-up resistors on NU/ND & U/D are internal in the HMC3716



The PFD filter (circled) also includes the 200Ω pull-ups on NU / ND. These 200Ω resistors set the 2.0V output voltage swing.

These should always be set to 200Ω to match those on NU / ND