

8 7 6 5 4 3 2 1

THIS DRAWING IS THE PROPERTY OF ANALOG DEVICES INC. IT IS NOT TO BE REPRODUCED OR COPIED, IN WHOLE OR IN PART, OR USED IN FURNISHING INFORMATION TO OTHERS, OR FOR ANY OTHER PURPOSE DETRIMENTAL TO THE INTERESTS OF ANALOG DEVICES. THE EQUIPMENT SHOWN HEREON MAY BE PROTECTED BY PATENTS OWNED OR CONTROLLED BY ANALOG DEVICES.

JUMPER TABLE		
JP#	ON	OFF
1		
2		
3		
4		
5		

REVISIONS			
REV	DESCRIPTION	DATE	APPROVED
A	AS RELEASED	19JUN14	PC

RELAY CONTROL CHART

CONTROL	CODE	DEVICE	FUNCTION	CONNECTOR

\* SEE ASSEMBLY INSTRUCTIONS

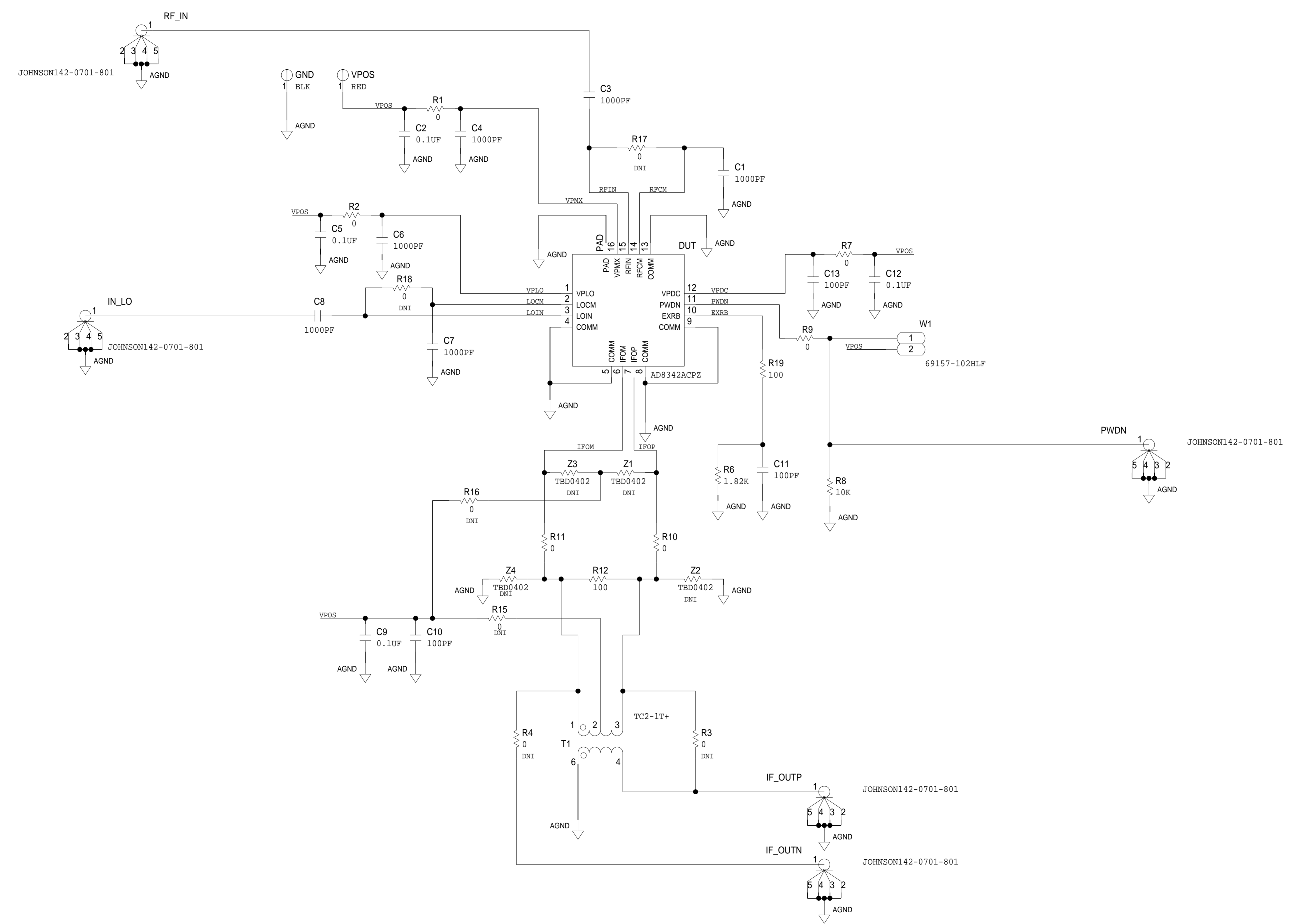
Blank area in column 8, row B.

P.O SPEC.	BK/BD SPEC.	SOCKET OEM	OEM PART#	HANDLER

TEMPLATE ENGINEER -	DATE	<b>SCHEMATIC</b>		
HARDWARE SERVICES -				
HARDWARE SYSTEMS -				
TEST ENGINEER P CHEN	19JUN14			
COMPONENT ENGINEER -				
TEST PROCESS -				
HARDWARE RELEASE -				
DESIGNER R HUNTLEY	19JUN14			
PTD ENGINEER <PTD_ENGINEER>				
CHECKER -				
UNLESS OTHERWISE SPECIFIED DIMENSIONS ARE IN INCHES TOLERANCES DECIMALS      FRACTIONS      ANGLES X.XX +/-0.010      +1/32      +2 X.XXX +/-0.005		MASTER PROJECT TEMPLATE TBD	TESTER TEMPLATE no_template	
		DRAWING NO. 02_038656		REV. A
		SIZE D	SCALE 1:1	CODE ID NO. CodeID

8 7 6 5 4 3 2 1

REVISIONS			
REV	DESCRIPTION	DATE	APPROVED



	<b>SCHEMATIC</b>		
	HW TYPE : Customer Evaluation Product(s): ad8342 : ad8342		
	DESIGN VIEW <DESIGN_VIEW>	DRAWING NO. 02_038656	REV A
	PTD ENGINEER <PTD_ENGINEER>	SIZE D	SCALE 1:1
		SHEET 2 OF 2	