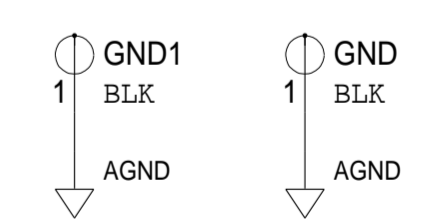
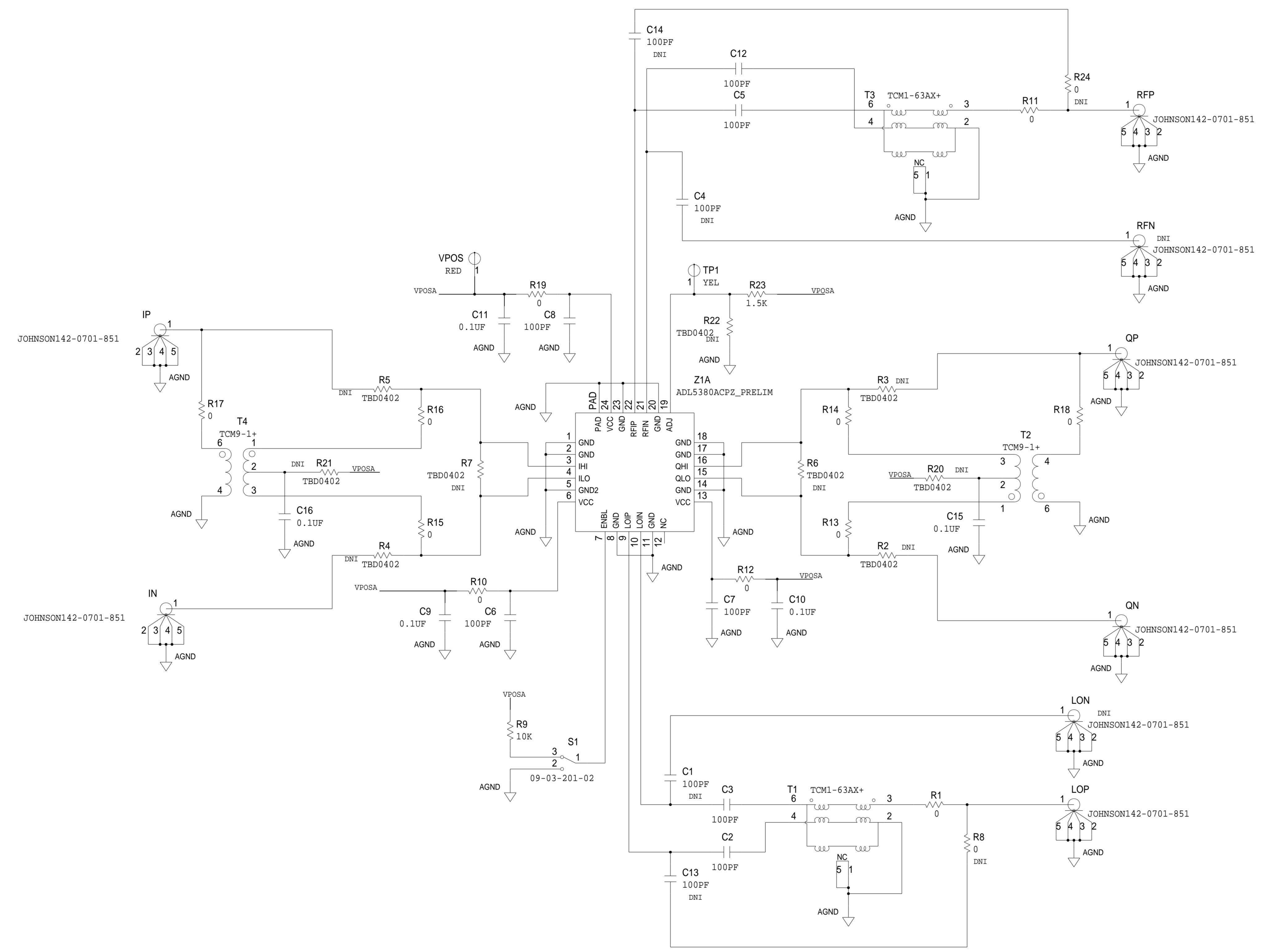


REVISIONS			
REV	DESCRIPTION	DATE	APPROVED



	SCHEMATIC		
	EVAL BOARD ADL5380 <PRODUCT_1>		
	DESIGN VIEW <DESIGN_VIEW>	DRAWING NO. 02-037350	REV B
	PTD ENGINEER <PTD_ENGINEER>	SIZE D	SCALE <SCALE>