

8 7 6 5 4 3 2 1

THIS DRAWING IS THE PROPERTY OF ANALOG DEVICES INC. IT IS NOT TO BE REPRODUCED OR COPIED, IN WHOLE OR IN PART, OR USED IN FURNISHING INFORMATION TO OTHERS, OR FOR ANY OTHER PURPOSE DETRIMENTAL TO THE INTERESTS OF ANALOG DEVICES. THE EQUIPMENT SHOWN HEREON MAY BE PROTECTED BY PATENTS OWNED OR CONTROLLED BY ANALOG DEVICES.

5 4 3 2 1

JUMPER TABLE		
JP#	ON	OFF
1		
2		
3		
4		
5		

REVISIONS			
REV	DESCRIPTION	DATE	APPROVED
A	INITIAL RELEASE	DEC-2016	B. SAM
B	PER ECR-071337	AUG-2017	B. SAM

RELAY CONTROL CHART

CONTROL	CODE	DEVICE	FUNCTION	CONNECTOR

* SEE ASSEMBLY INSTRUCTIONS

P.O SPEC.	BK/BD SPEC.	SOCKET OEM	OEM PART#	HANDLER

TEMPLATE ENGINEER G. CELEDONIO DATE DEC-2016		<h1>SCHEMATIC</h1>						
HARDWARE SERVICES R. MACDONALD DATE DEC-2016								
HARDWARE SYSTEMS NA DATE DEC-2016		HW TYPE : Customer Evaluation Product(s) : ADAR1000 : N/A						
TEST ENGINEER B. SAM DATE DEC-2016		PACKAGE : 88-lead 7x7x1.0_MM LGA-family : Pitch-pitch StyleVendor Style						
COMPONENT ENGINEER A. CAUILAN DATE DEC-2016								
TEST PROCESS NA DATE DEC-2016								
HARDWARE RELEASE R. AMARILLE DATE DEC-2016								
DESIGNER gio DATE DEC-2016		MASTER PROJECT TEMPLATE TBD	TESTER TEMPLATE no_template	DRAWING NO. 02_045107		REV. B		
PTD ENGINEER B. SAM DATE DEC-2016		<small>UNLESS OTHERWISE SPECIFIED DIMENSIONS ARE IN INCHES</small> TOLERANCES DECIMALS FRACTIONS ANGLES X.XX +0.010 ++1/32 +2 X.XXX +0.005			SIZE D	SCALE 1:1	CODE ID NO. CodeID	SHEET 1 OF 3
CHECKER B. SAM DATE DEC-2016								

REVISIONS			
REV	DESCRIPTION	DATE	APPROVED

D

C

B

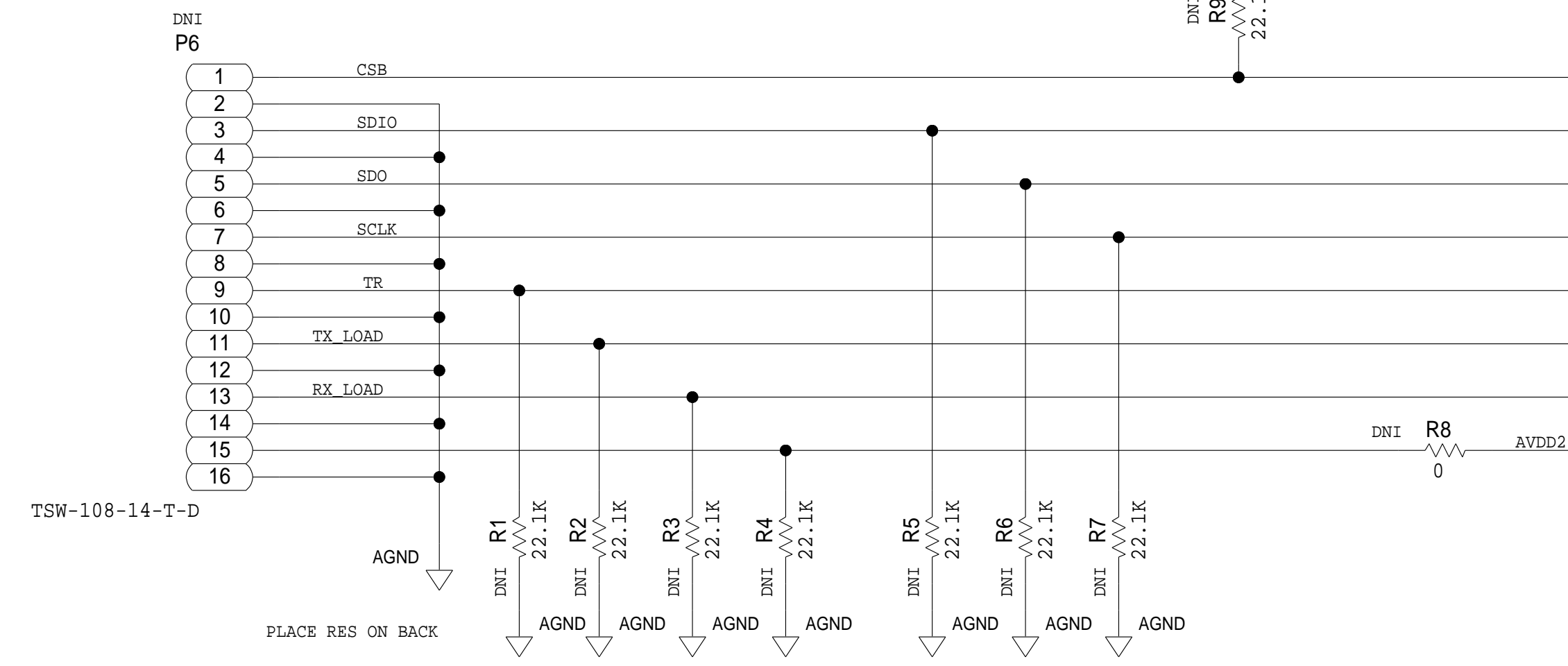
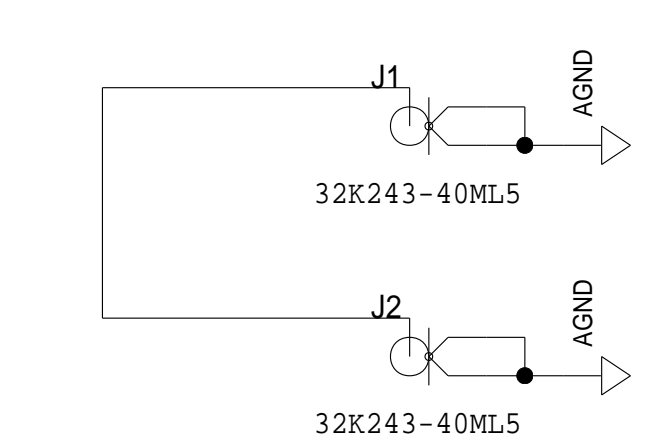
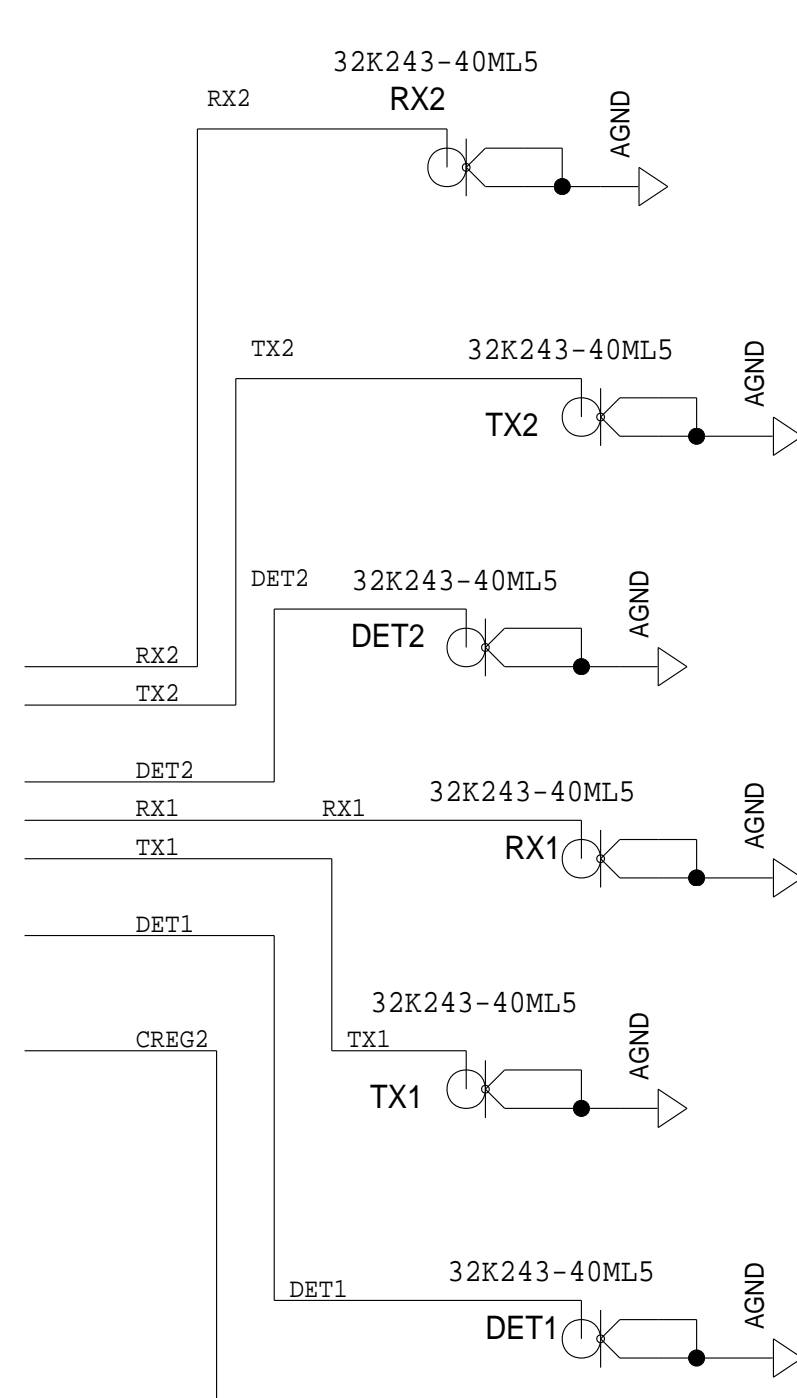
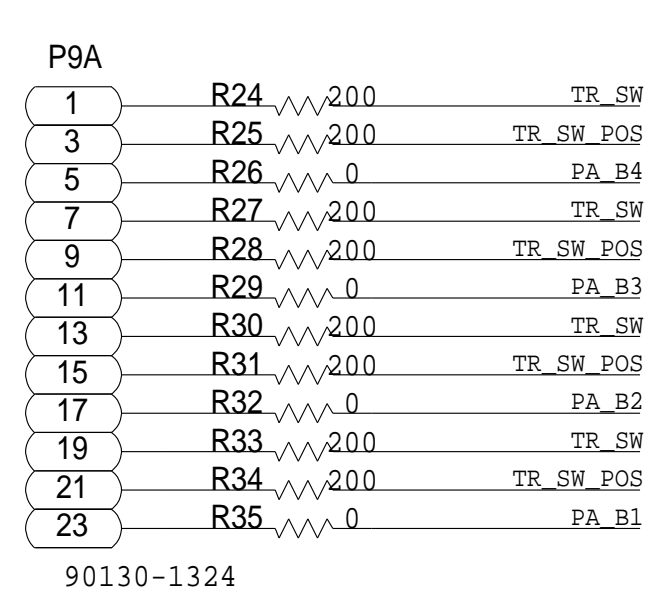
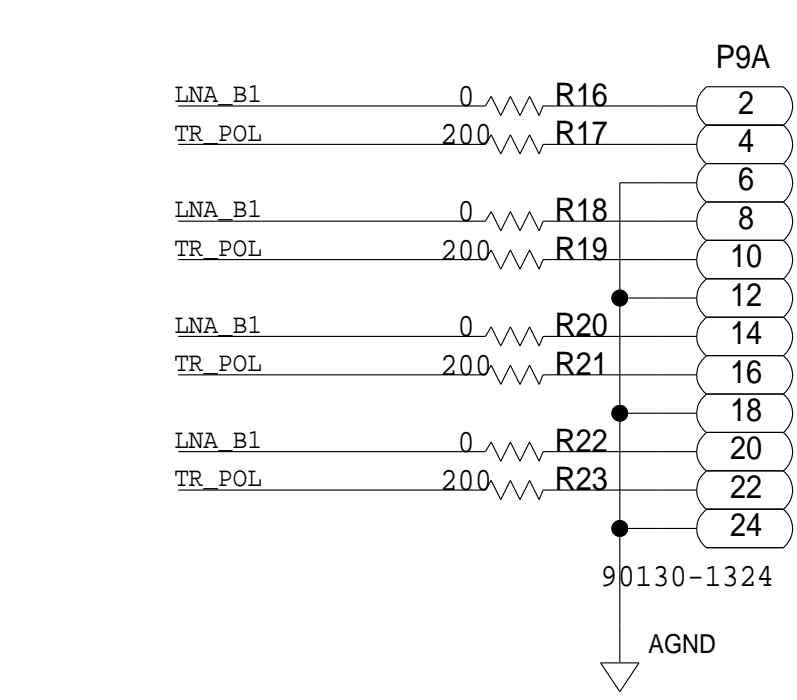
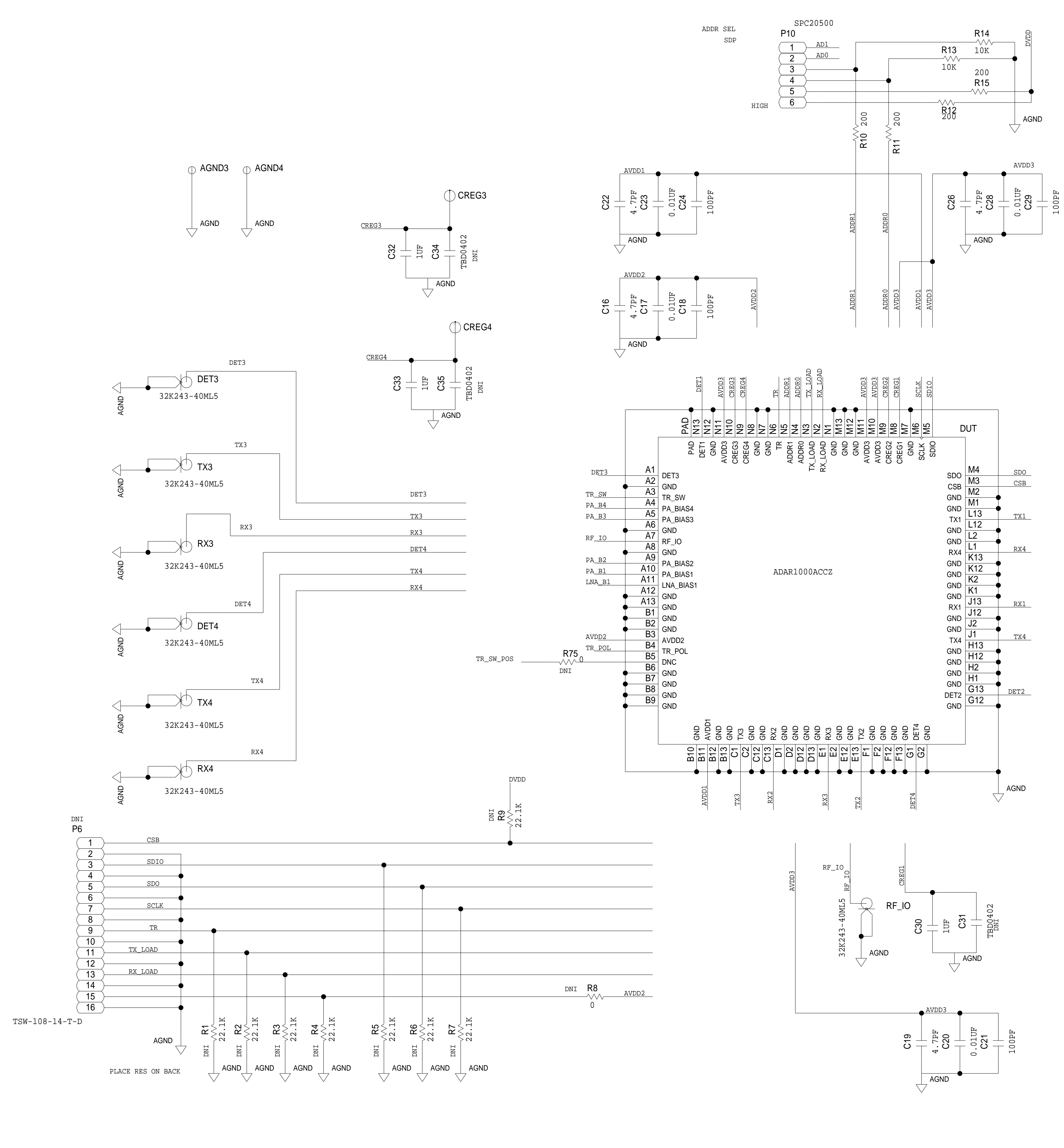
A

D

C

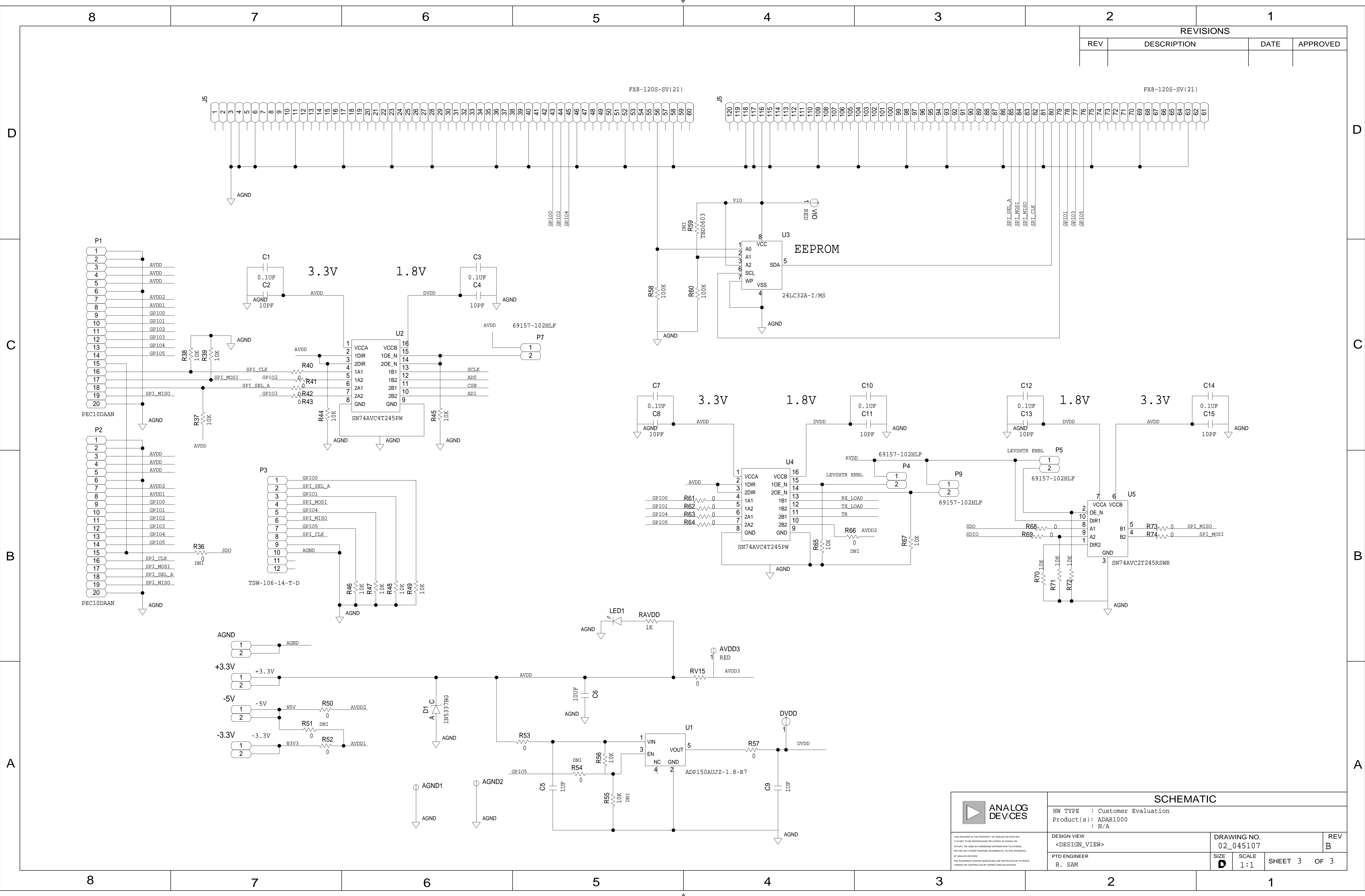
B

A



	SCHEMATIC		
	HW TYPE : Customer Evaluation Product(s) : ADAR1000 : N/A		
DESIGN VIEW <DESIGN_VIEW>	DRAWING NO. 02_045107	REV B	
PTD ENGINEER B. SAM	SIZE D	SCALE 1:1	SHEET 2 OF 3

REVISIONS			
REV	DESCRIPTION	DATE	APPROVED



		SCHEMATIC	
		HW TYPE : Customer Evaluation Product(s) : ADAR1000 : N/A	
DESIGN VIEW <DESIGN_VIEW>	DRAWING NO. 02_045107	REV B	
PTD ENGINEER B. SAM	SIZE D	SCALE 1:1	SHEET 3 OF 3