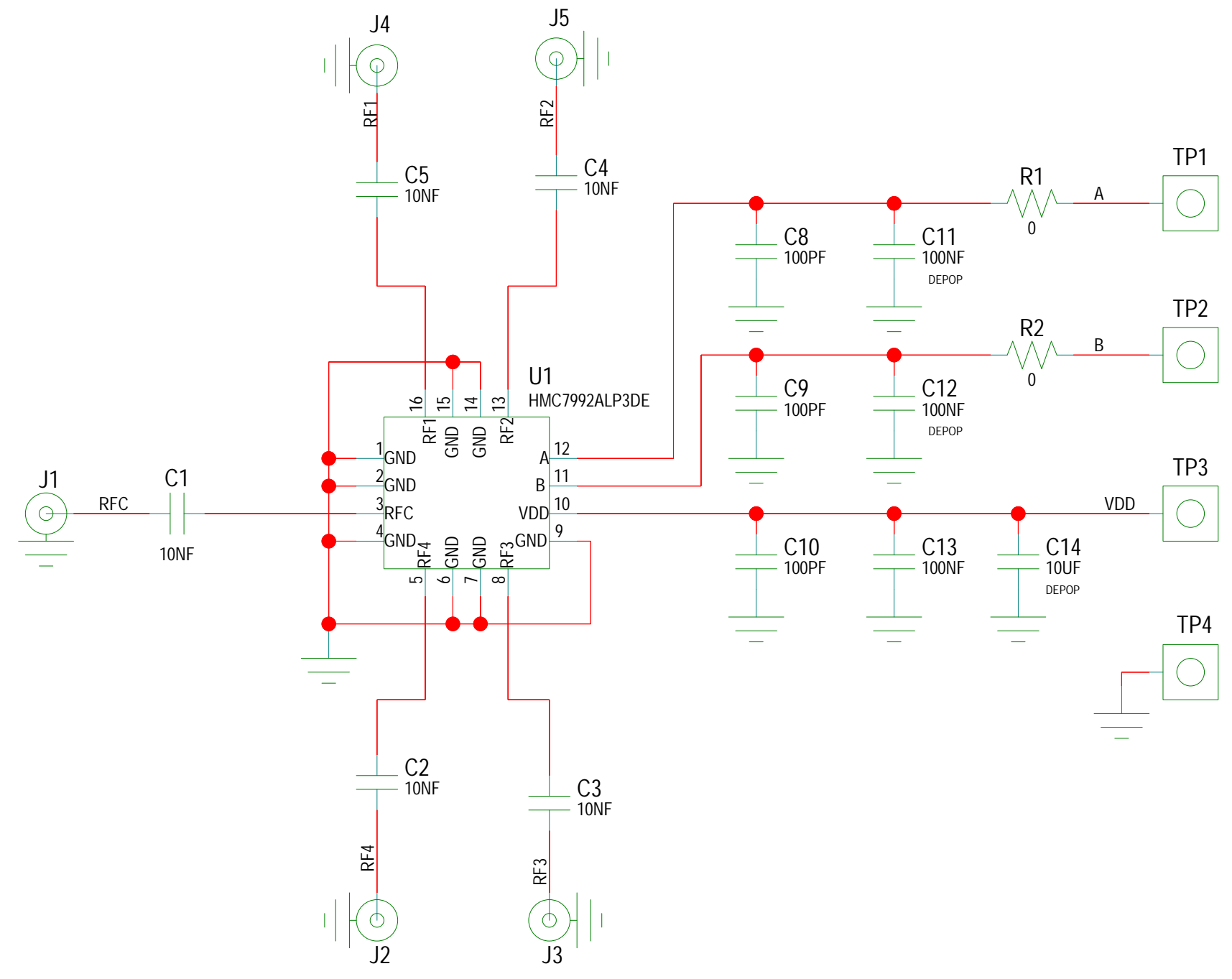



REVISIONS					
REV	ECN#	ZONE	DESCRIPTION	NAME	DATE
1	----	----	ENGINEERING RELEASE	Y.AYDIN	09/10/14



NOTICE OF PROPRIETARY PROPERTY: THIS DOCUMENT AND THE INFORMATION CONTAINED IN IT ARE THE PROPRIETARY PROPERTY OF HITTITE MICROWAVE CORPORATION. IT MAY NOT BE COPIED IN ANY MANNER NOR MAY ANY OF THE INFORMATION IN OR UPON IT BE USED FOR ANY PURPOSE WITHOUT THE EXPRESSED WRITTEN CONSENT OF AN AUTHORIZED AGENT OF HITTITE MICROWAVE CORPORATION.

 HITTITE MICROWAVE CORPORATION 20 Alpha Rd Chelmsford, MA 01824			
TITLE		SCH, EVAL	
PROJECT			
DRAWING #: 130-01325-00		SHEET 1 OF 1	
DRAWN BY: Y.AYDIN		DATE: 09/10/14	
CODE ID NO.	SIZE	REV	
1CN88	B	1	