

Excerpt form LTC4331 data sheet

when all drivers are momentarily disabled. See Figure 20. For DC-coupled (non-isolated) link applications, select R_B and R_{T2} such that $200\Omega \leq R_B \leq 620\Omega$ and $100\Omega \leq R_{T2} \leq 110\Omega$.

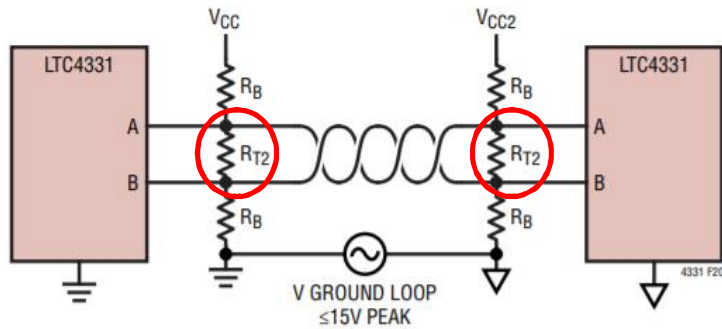
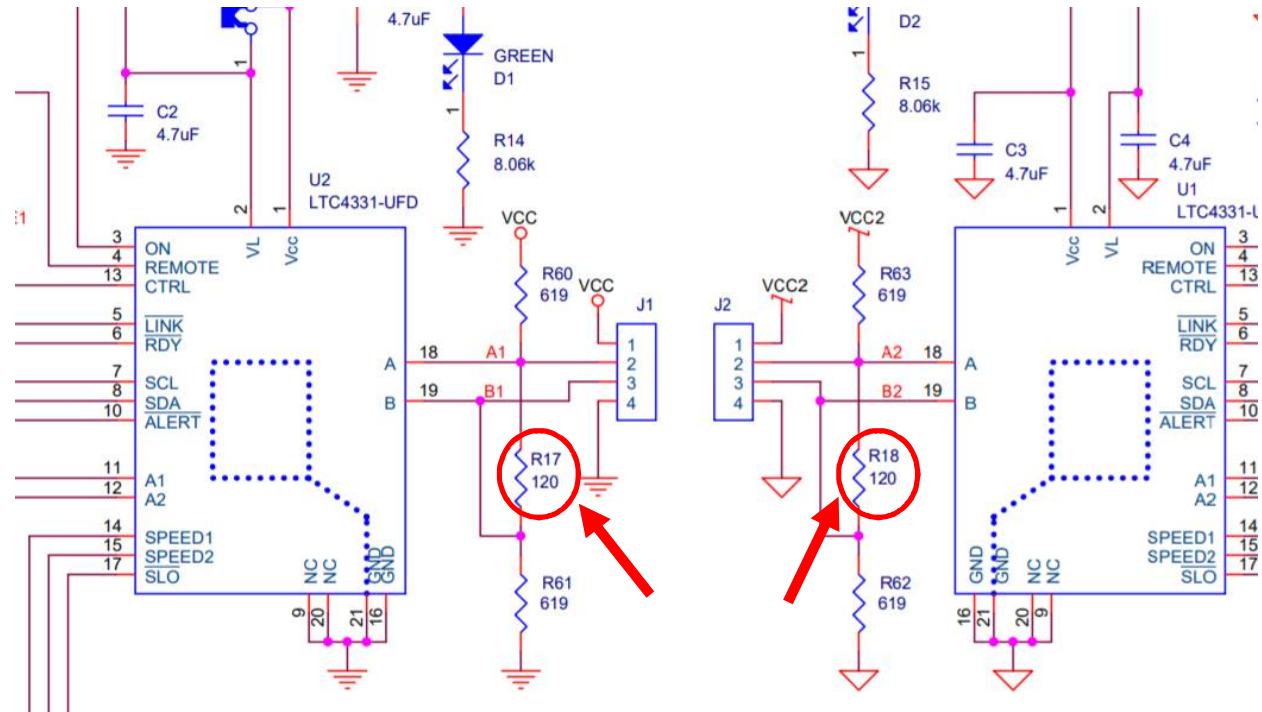


Figure 20. Resistor Bias Network

Eval Board (DC2754A) Schematic



In the datasheet, R_{T2} is recommended to be 100Ω to 110Ω , but 120Ω is implemented in the evaluation board.

Is there any problem in adopting $R_{T2}=120\Omega$?

Or is it recommended to use up to 110Ω as stated in the data sheet?