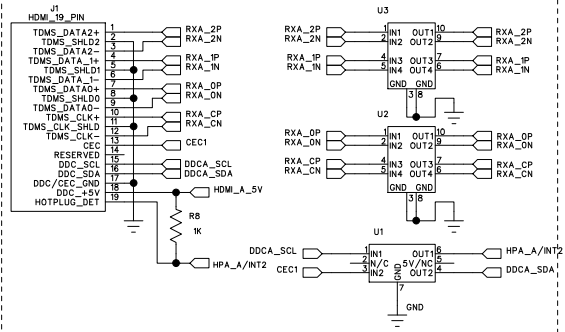


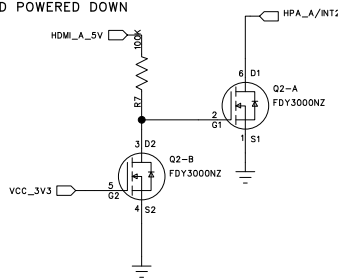
REVISION RECORD			
LTR	ECO NO:	APPROVED:	DATE:

HDMI Port A – Connector and ESD Suppression



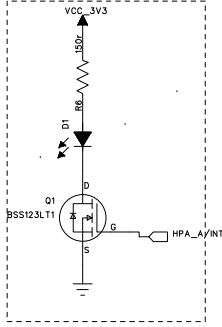
HPD A

SHORTS HPA_A TO GND WHEN BOARD POWERED DOWN

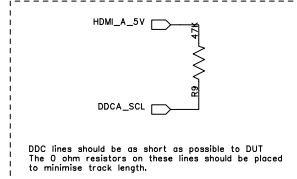


INSERT THIS ONLY WHEN NO EXT. EDID

HPD A LED

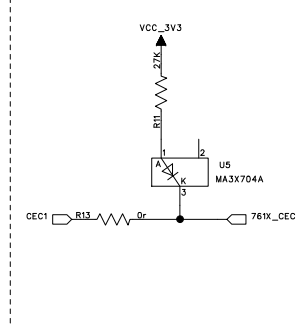


DDC A Circuitry



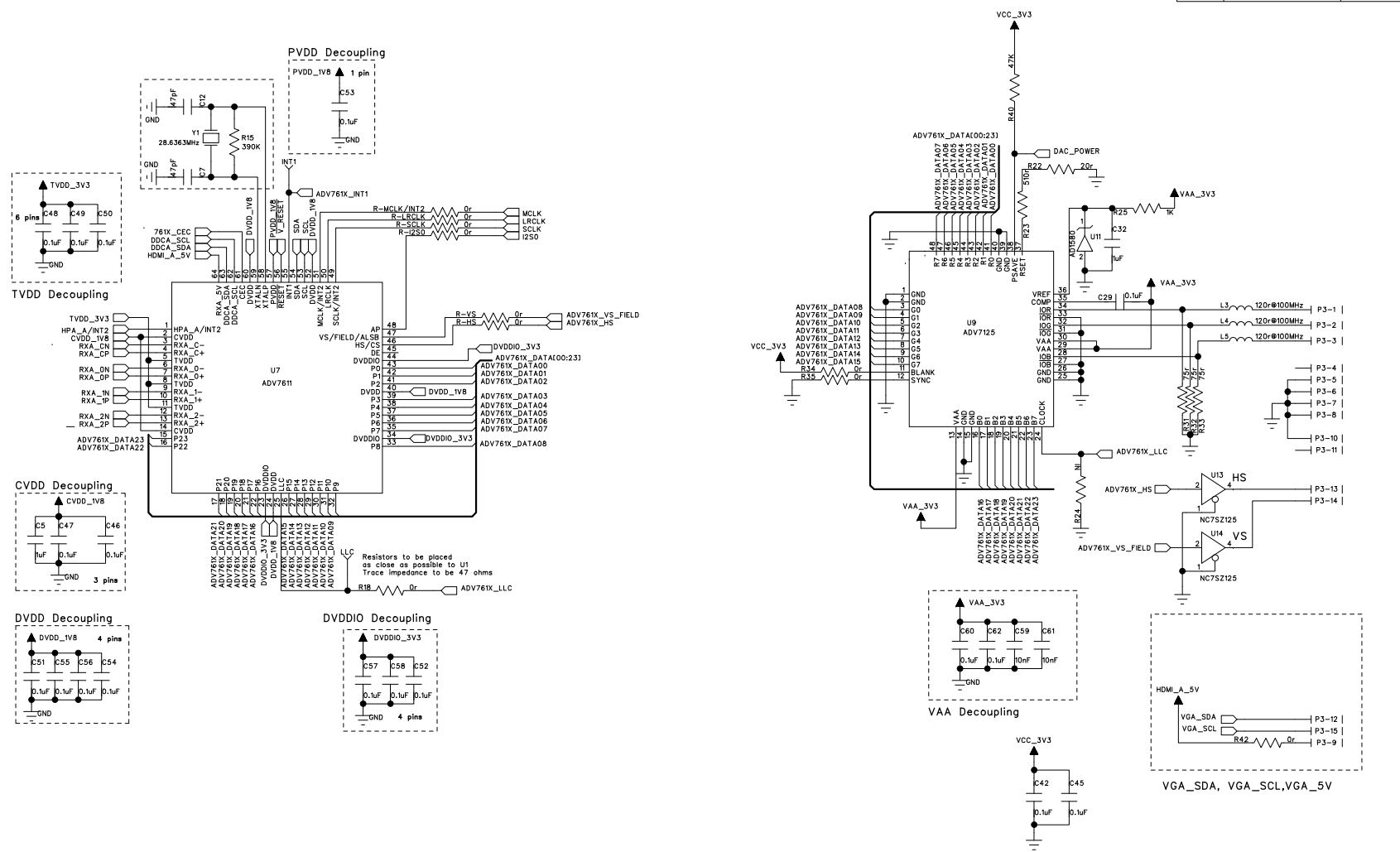
DDC lines should be as short as possible to DUT. The 0 ohm resistors on these lines should be placed to minimise track length.

CEC To 168-Pin Connector



COMPANY:		Analog Devices		
TITLE:		ATV Group ADV7611 Microboard HDMI Connector Sheet 1		
DRAWN:	DATED:	CODE:	SIZE:	DRAWING NO:
CHECKED:	DATED:			REV:
QUALITY CONTROL:	DATED: 01/04/10			
RELEASED:	DATED:			
SCALE:				SHEET: OF 0

REVISION RECORD			
LTR	ECO NO:	APPROVED:	DATE:



COMPANY:		Analog Devices	
TITLE:		ATV Group ADV7611 Microboard ADV761X Sheet	
DRAWN:	DATED:	CODE:	SIZE:
CHECKED:	DATED:	DRAWING NO:	REV:
QUALITY CONTROL:	DATED:	SCALE:	
RELEASED:	DATED:	SHEET: 3 OF 9	

DRAWN:	DATED:
CHECKED:	DATED:
QUALITY CONTROL:	DATED:
RELEASED:	DATED:

DATE:	01/04/10
DATE:	
DATE:	
DATE:	

6

5

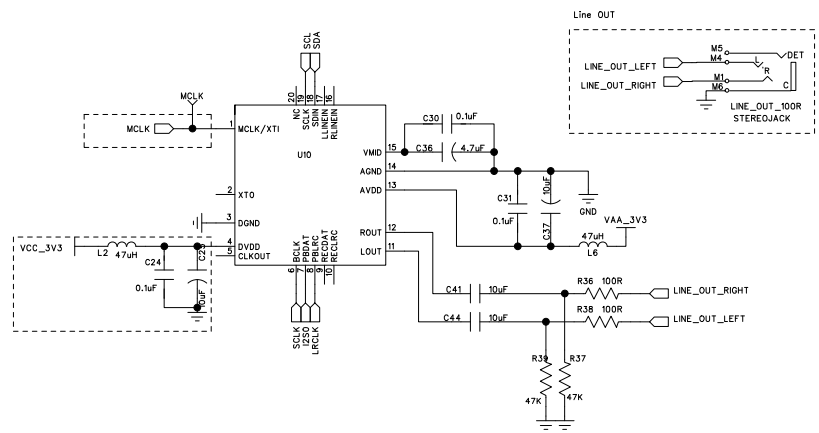
4

3

2

1

REVISION RECORD			
LTR	ECO NO:	APPROVED:	DATE:

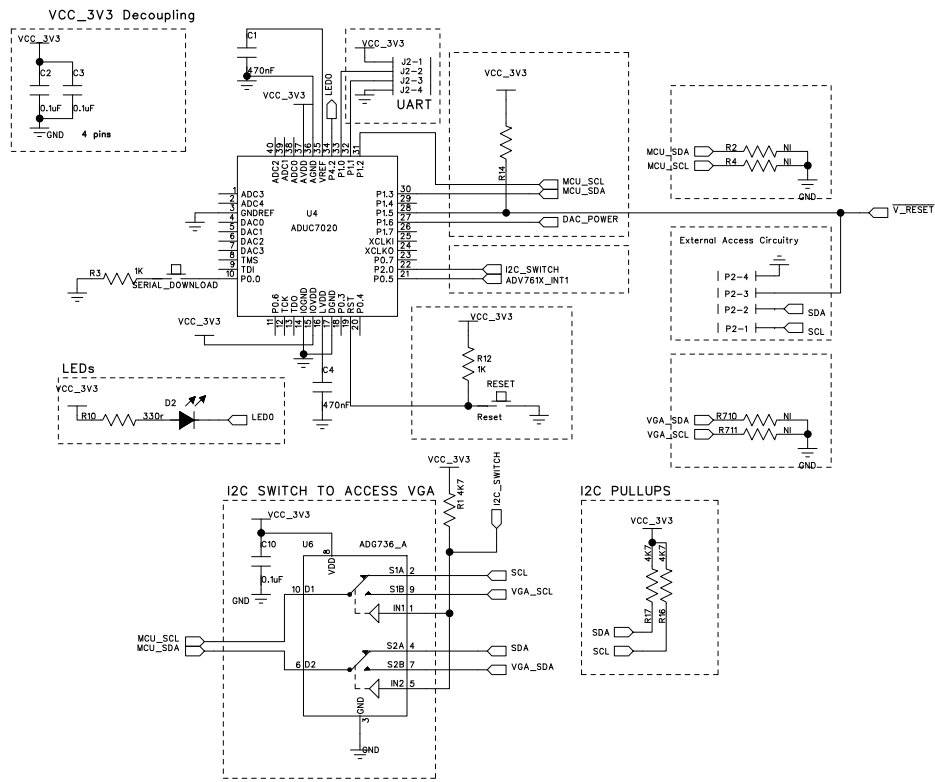


COMPANY:		Analog Devices			
TITLE:		ATV Group ADV7611 Microboard AUDIO SHEET			
DRAWN:	DATED:	CODE:	SIZE:	DRAWING NO:	REV:
CHECKED:	DATED:				
QUALITY CONTROL:	DATED:				
RELEASED:	DATED:				
SCALE:				SHEET: 3 OF 9	

DRAWN:	DATED:
CHECKED:	DATED:
QUALITY CONTROL:	DATED:
RELEASED:	DATED:

01/04/10

REVISION RECORD			
LTR	ECO NO:	APPROVED:	DATE:



COMPANY:		Analog Devices			
TITLE:		ATV Group ADV7611 Microboard ADUC7020 SHEET			
DRAWN:	DATED:	CODE:	SIZE:	DRAWING NO:	REV:
CHECKED:	DATED:				
QUALITY CONTROL:	DATED:				
RELEASED:	DATED:				
SCALE:					SHEET: 3 OF 9

DRAWN:	DATED:
CHECKED:	DATED:
QUALITY CONTROL:	DATED:
RELEASED:	DATED:

D

D

C

C

B

B

A

A

6

5

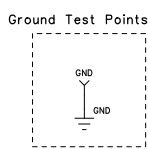
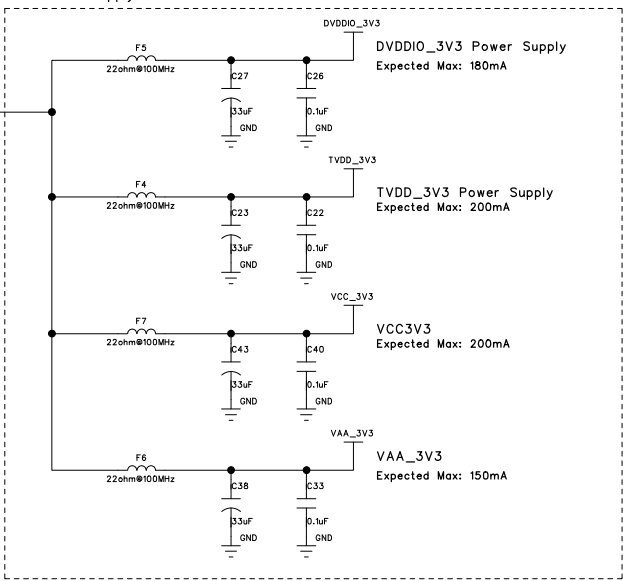
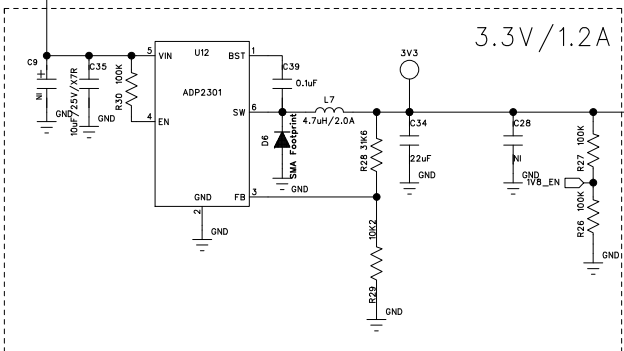
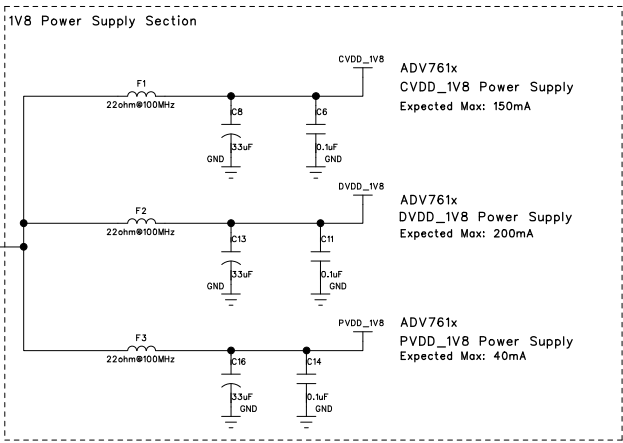
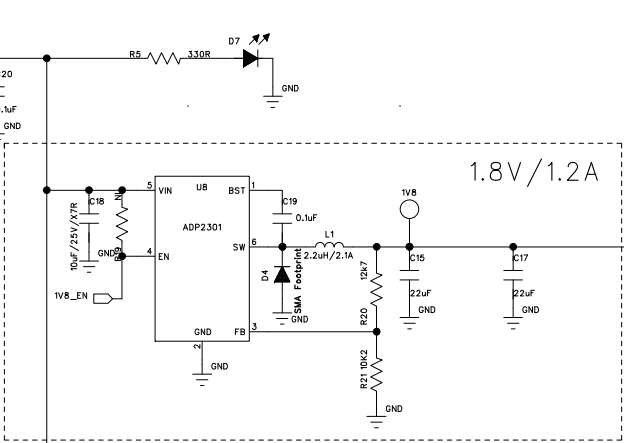
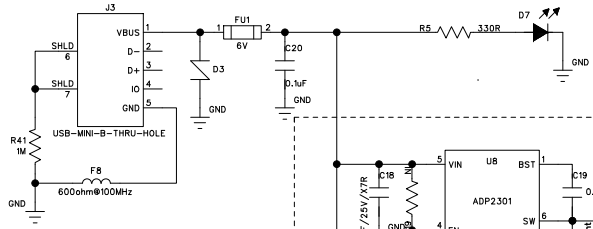
4

3

2

1

REVISION RECORD			
LTR	ECO NO:	APPROVED:	DATE:



Power Nets to be labelled on PCB

COMPANY: Analog Devices			
TITLE: ATV Group ADV7611 Microboard Board Power Supply Sheet			
DRAWN:	DATED: 01/04/10	CODE:	SIZE:
CHECKED:	DATED:	DRAWING NO:	REV: 0
QUALITY CONTROL:	DATED:	SCALE:	
RELEASED:	DATED:	SHEET: 4 OF 8	