
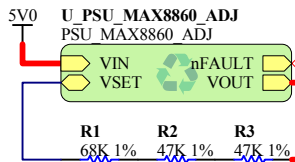
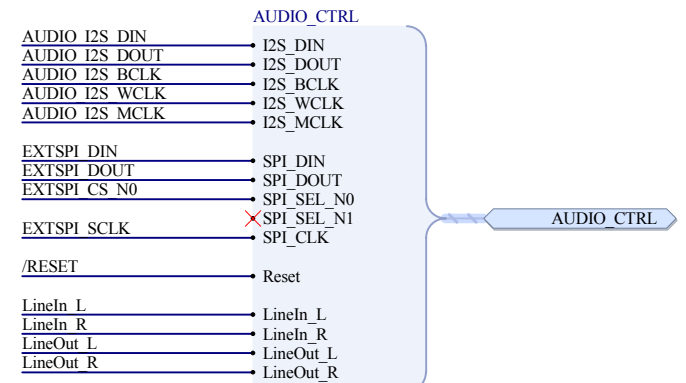
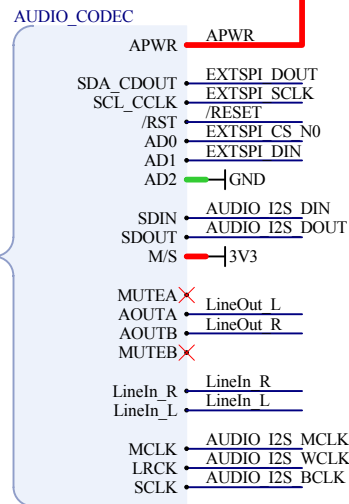


Sheet Title Top Level			Altium Limited L3, 12A Rodborough Rd Frenchs Forest NSW 2086 Australia	
Project Title PB01 - Audio/Video Peripheral Bd				
Size: A4	Assy: D-820-0001	Revision: 07		
Date: 27/11/2008	Time: 5:51:00 PM	Sheet 1 of 17		
File: PB01_Top.SchDoc				



Analog power for the Audio Codec is set to a nominal 3.3V by the feedback resistors.

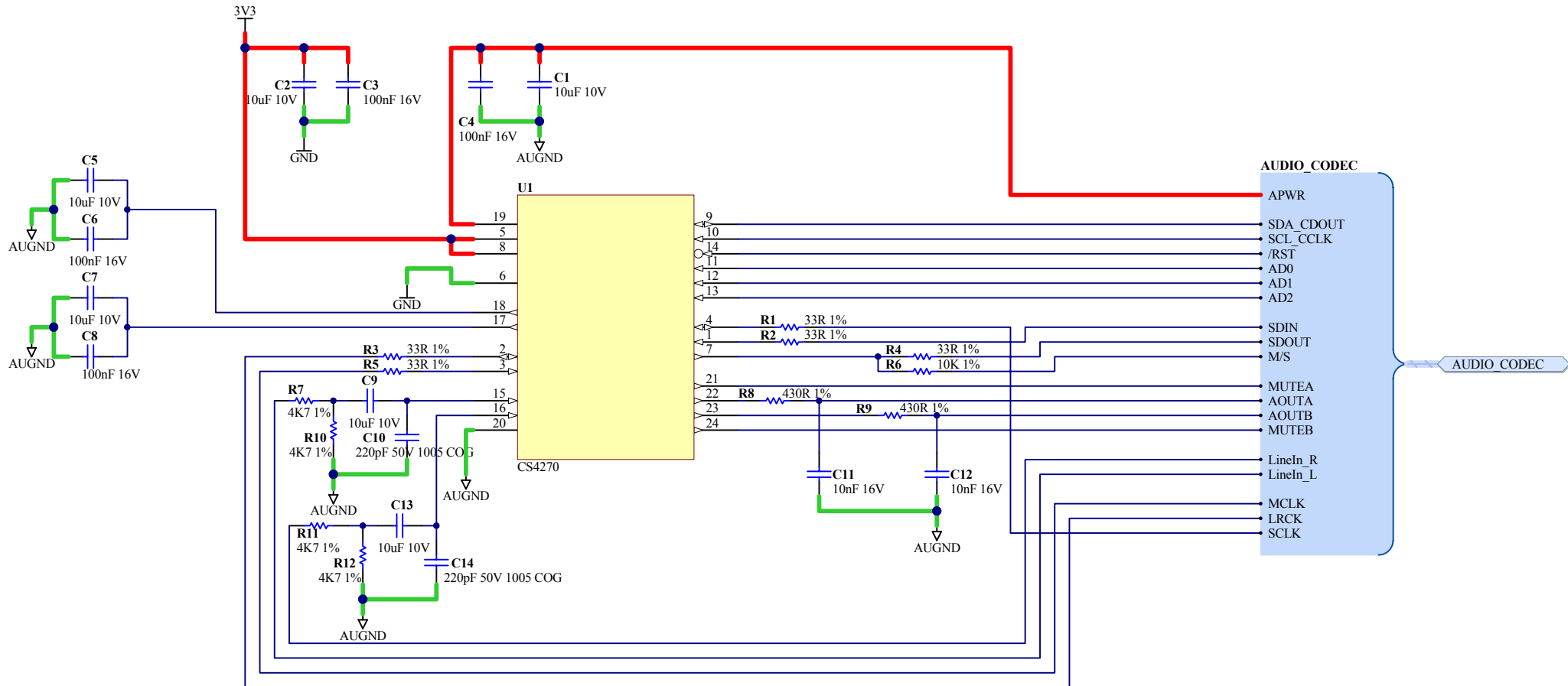
U_CODEC_CS4270
 AUDIO CODEC CS4270



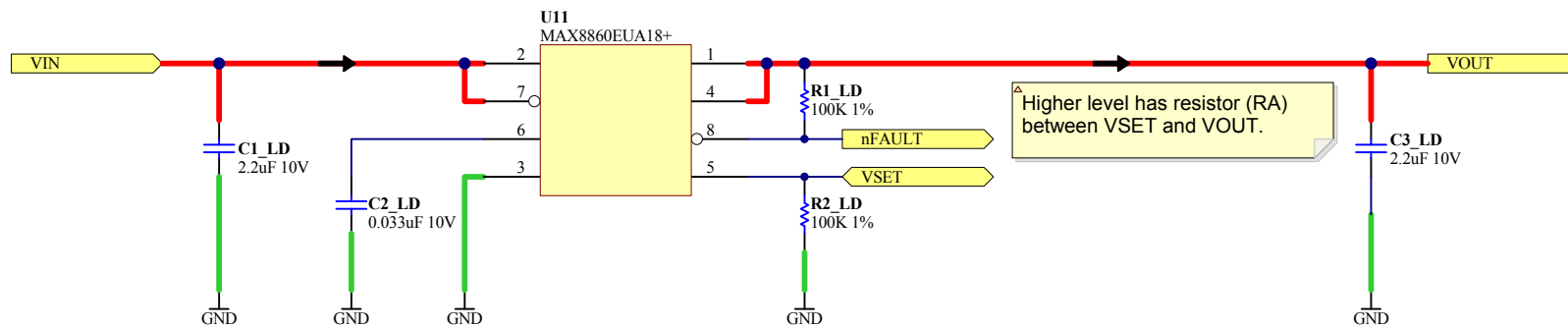
Sheet Title Audio CODEC		
Project Title PB01 - Audio/Video Peripheral Bd		
Size: A4	Assy: D-820-0001	Revision:07
Date: 27/11/2008	Time: 5:51:00 PM	Sheet 2 of 17
File: PB01_AUDIO_CODEC.SchDoc		

Altium Limited
 L3, 12A Rodborough Rd
 Frenchs Forest
 NSW 2086
 Australia





Sheet Title Audio CODEC		Altium Limited L3, 12A Rodborough Rd Frenchs Forest NSW 2086 Australia	
Project Title PB01 - Audio/Video Peripheral Bd			
Size: A4	Assy: D-820-0001	Revision:07	
Date: 27/11/2008	Time: 5:51:00 PM	Sheet 3 of 17	
File: AUDIO CODEC CS4270.SchDoc			



The voltage provided by the MAX8860 linear regulator is determined by the addition of a resistor between VOUT and VSET.


This additional resistor (RA) is located on the higher-level schematic.

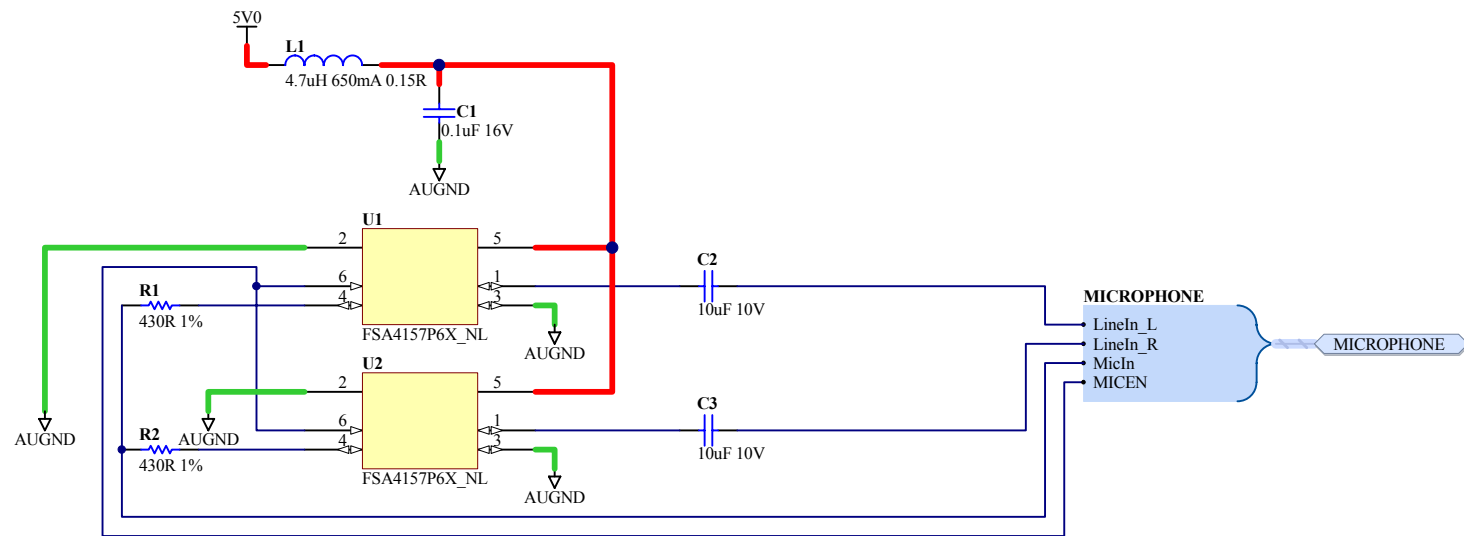
The voltage produced by the MAX8860 is calculated as follows:
 $V_{OUT} = 1.25 * (1 + RA / 100k)$

If RA = 20k, $V_{OUT} = 1.25 * (1 + 20k/100k) = 1.50$ Volts
 If RA = 100k, $V_{OUT} = 1.25 * (1 + 100k/100k) = 2.50$ Volts
 If RA = 164k, $V_{OUT} = 1.25 * (1 + 164k/100k) = 3.30$ Volts

Note that if VSET is grounded (on the higher-level schematic), VOUT=1.8 Volts

Note also that VIN must be a minimum of 0.18 Volts above VOUT.

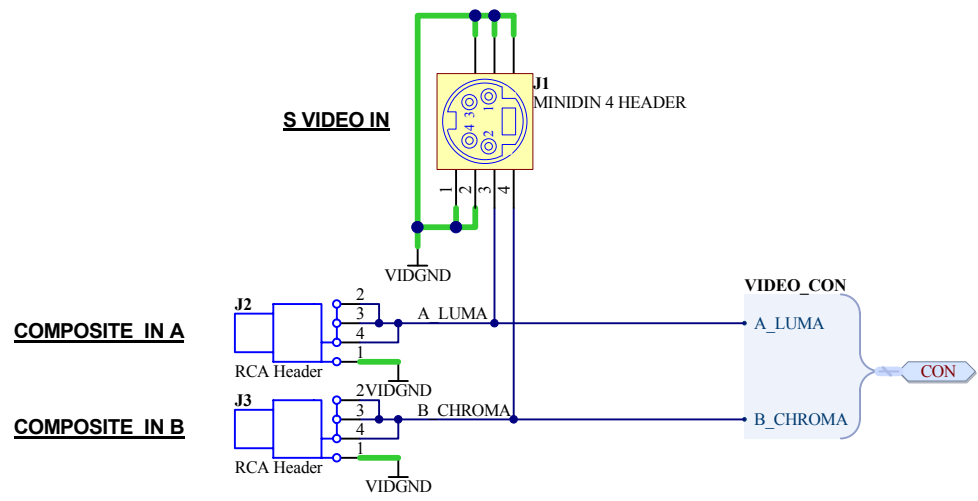
Sheet Title Power Supply MAX8860 (2V5)		Altium Limited L3, 12A Rodborough Rd Frenchs Forest NSW 2086 Australia	
Project Title PB01 - Audio/Video Peripheral Bd			
Size: A4	Assy: D-820-0001	Revision:07	
Date: 27/11/2008	Time: 5:51:00 PM	Sheet 4 of 17	
File: PSU MAX8860 ADJ.SchDoc			




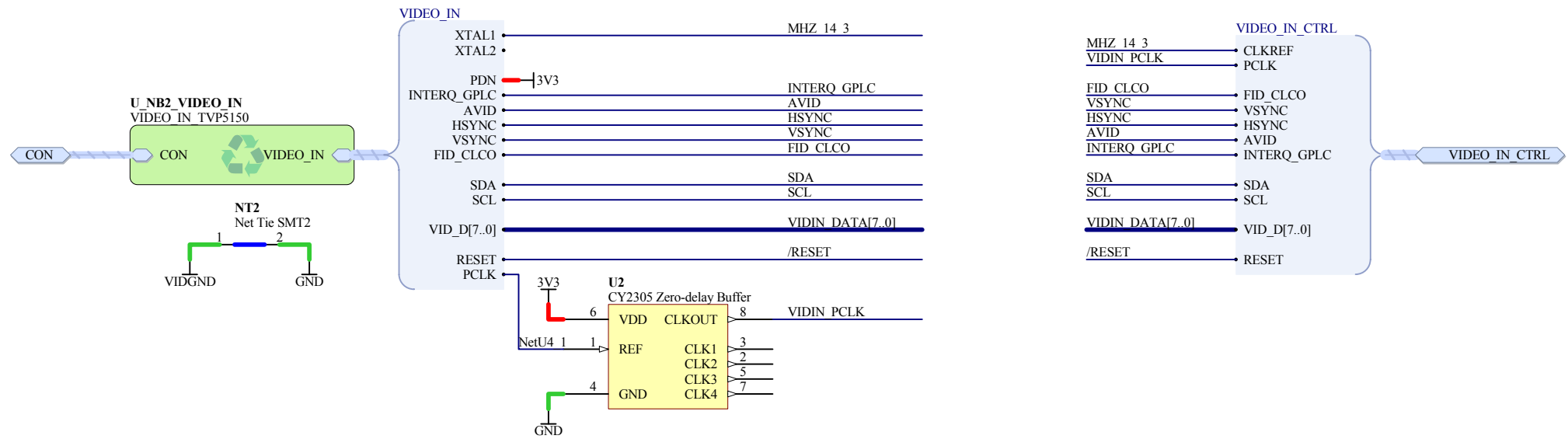
Sheet Title Microphone Amplifier		
Project Title PB01 - Audio/Video Peripheral Bd		
Size: A4	Assy: D-820-0001	Revision:07
Date: 27/11/2008	Time: 5:51:00 PM	Sheet 5 of 17
File: AUDIO_MICROPHONE.SchDoc		


Altium Limited
 L3, 12A Rodborough Rd
 Frenchs Forest
 NSW 2086
 Australia

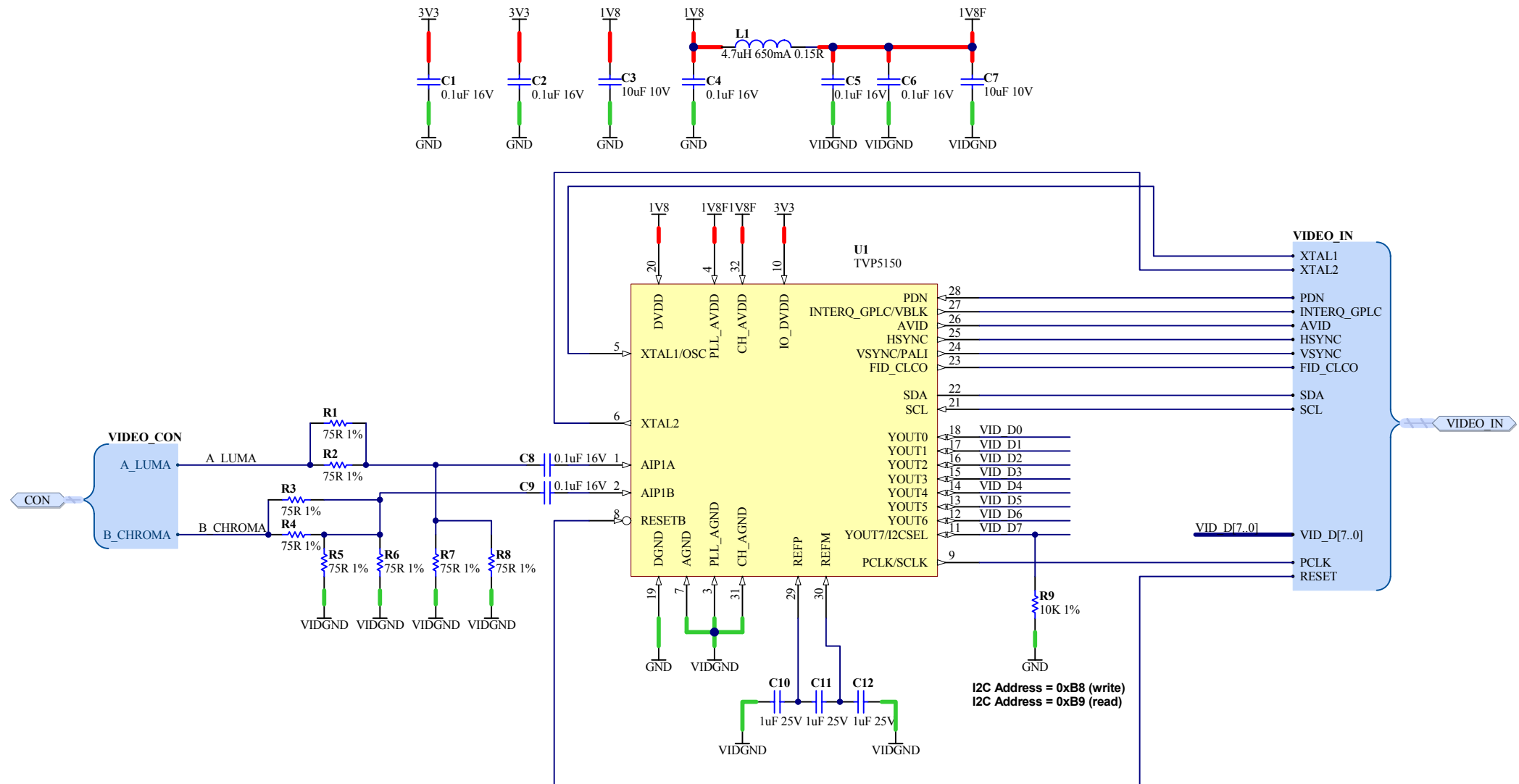





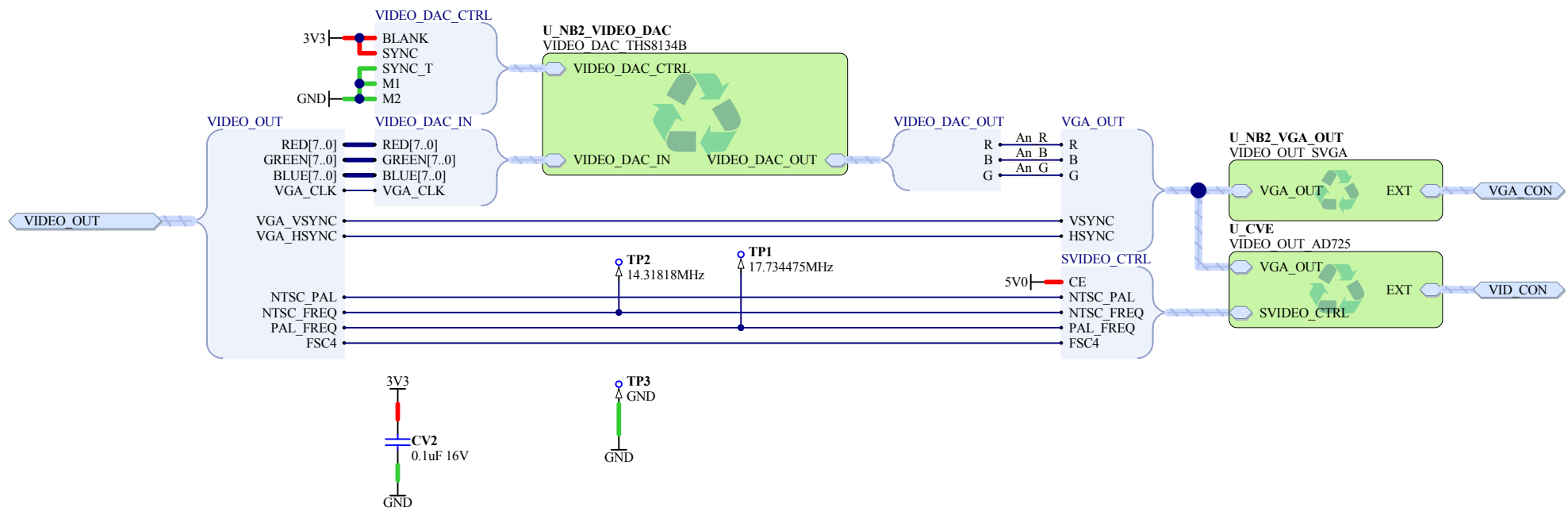
Sheet Title S-Video and Composite Connectors			Altium Limited L3, 12A Rodborough Rd Frenchs Forest NSW 2086 Australia	
Project Title PB01 - Audio/Video Peripheral Bd				
Size: A4	Assy: D-820-0001	Revision: 07		
Date: 27/11/2008	Time: 5:51:00 PM	Sheet 6 of 17		
File: CON_VIDEO_IN.SchDoc				




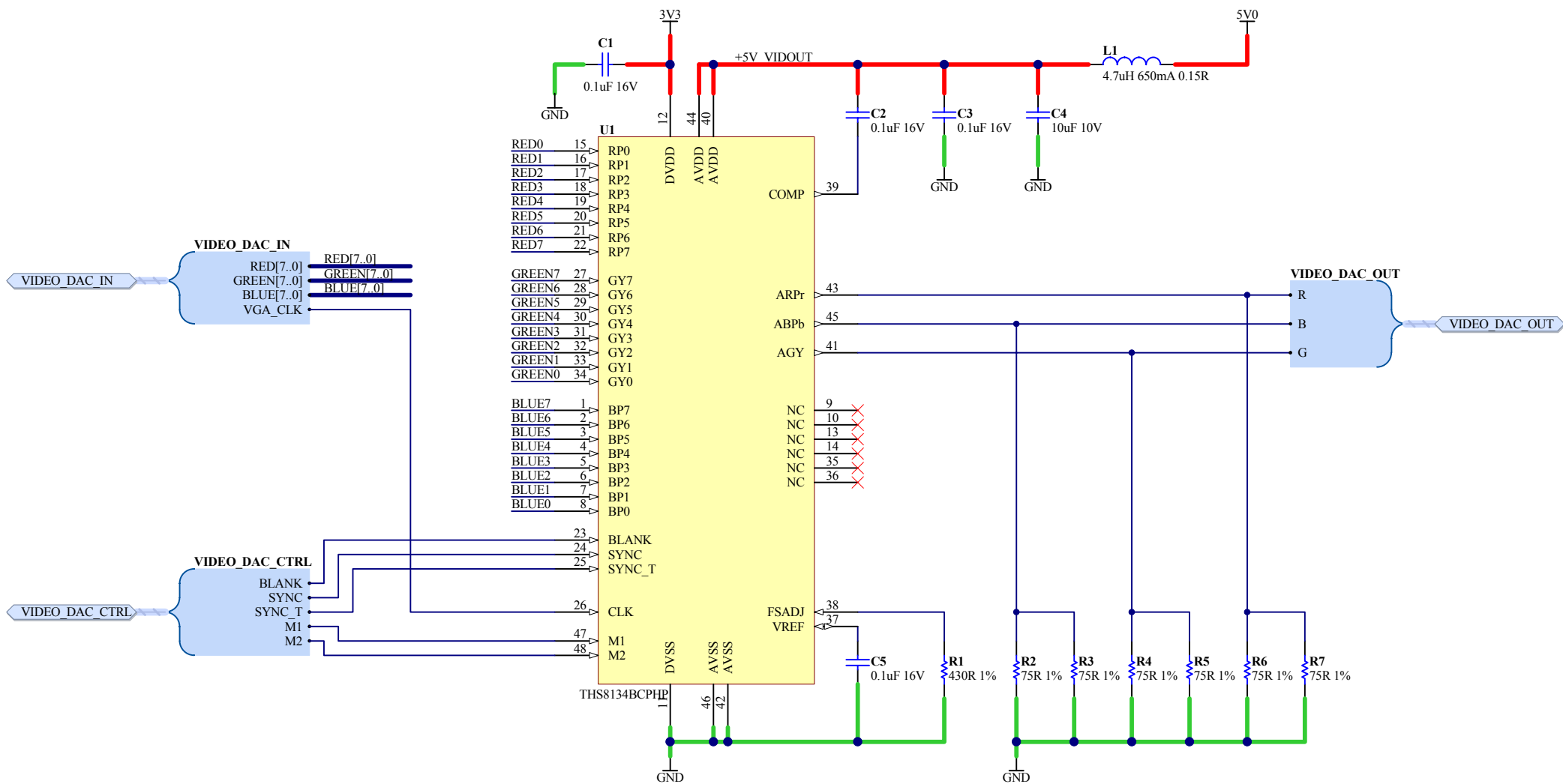
Sheet Title Video Input			Altium Limited L3, 12A Rodborough Rd Frenchs Forest NSW 2086 Australia	
Project Title PB01 - Audio/Video Peripheral Bd				
Size: A4	Assy: D-820-0001	Revision:07		
Date: 27/11/2008	Time: 5:51:00 PM	Sheet 7 of 17		
File: PB01_VIDEO_IN.SchDoc				

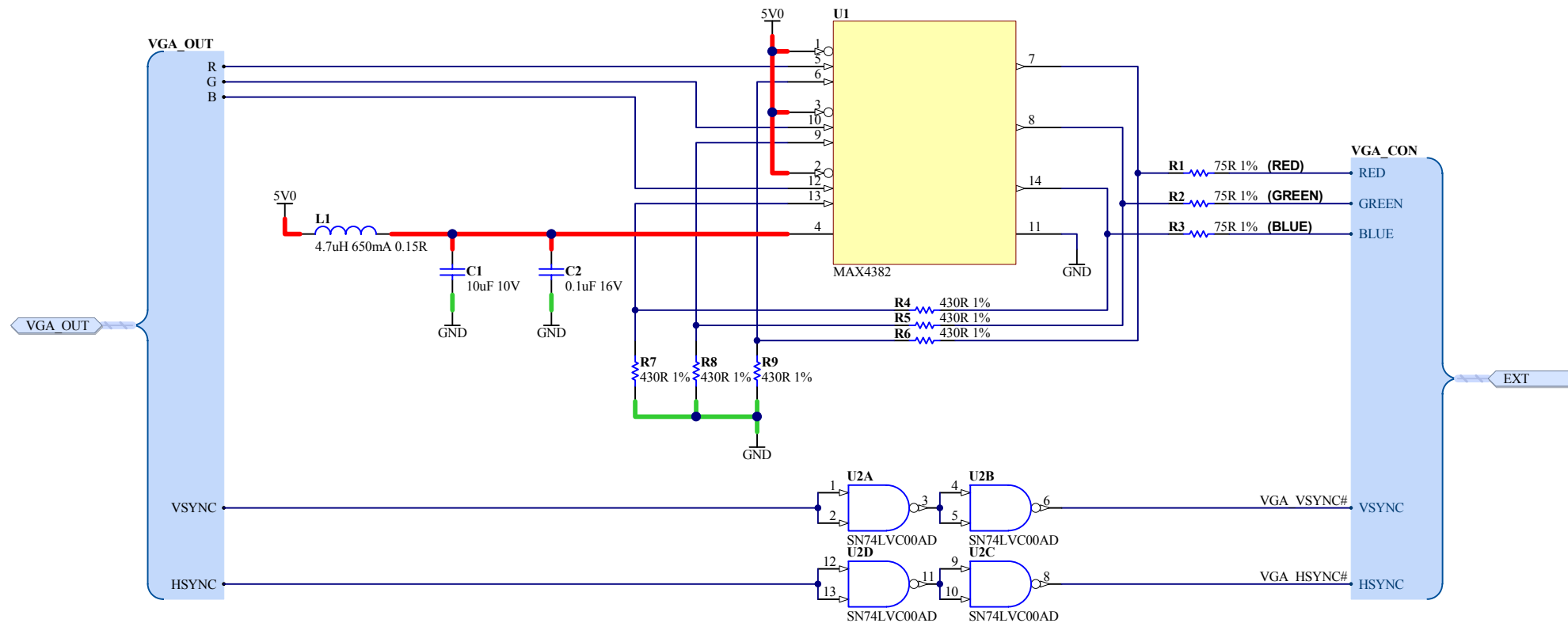


Sheet Title Video Input		Altium Limited L3, 12A Rodborough Rd Frenchs Forest NSW 2086 Australia		
Project Title PB01 - Audio/Video Peripheral Bd				
Size: A4	Assy: D-820-0001	Revision: 07		
Date: 27/11/2008	Time: 5:51:00 PM	Sheet 8 of 17		
File: VIDEO_IN_TVP5150.SchDoc				



Sheet Title VGA Ouput			Altium Limited L3, 12A Rodborough Rd Frenchs Forest NSW 2086 Australia	
Project Title PB01 - Audio/Video Peripheral Bd				
Size: A4	Assy: D-820-0001	Revision:07		
Date: 27/11/2008	Time: 5:51:00 PM	Sheet 9 of 17		
File: PB01_VGA_OUT.SCHDOC				

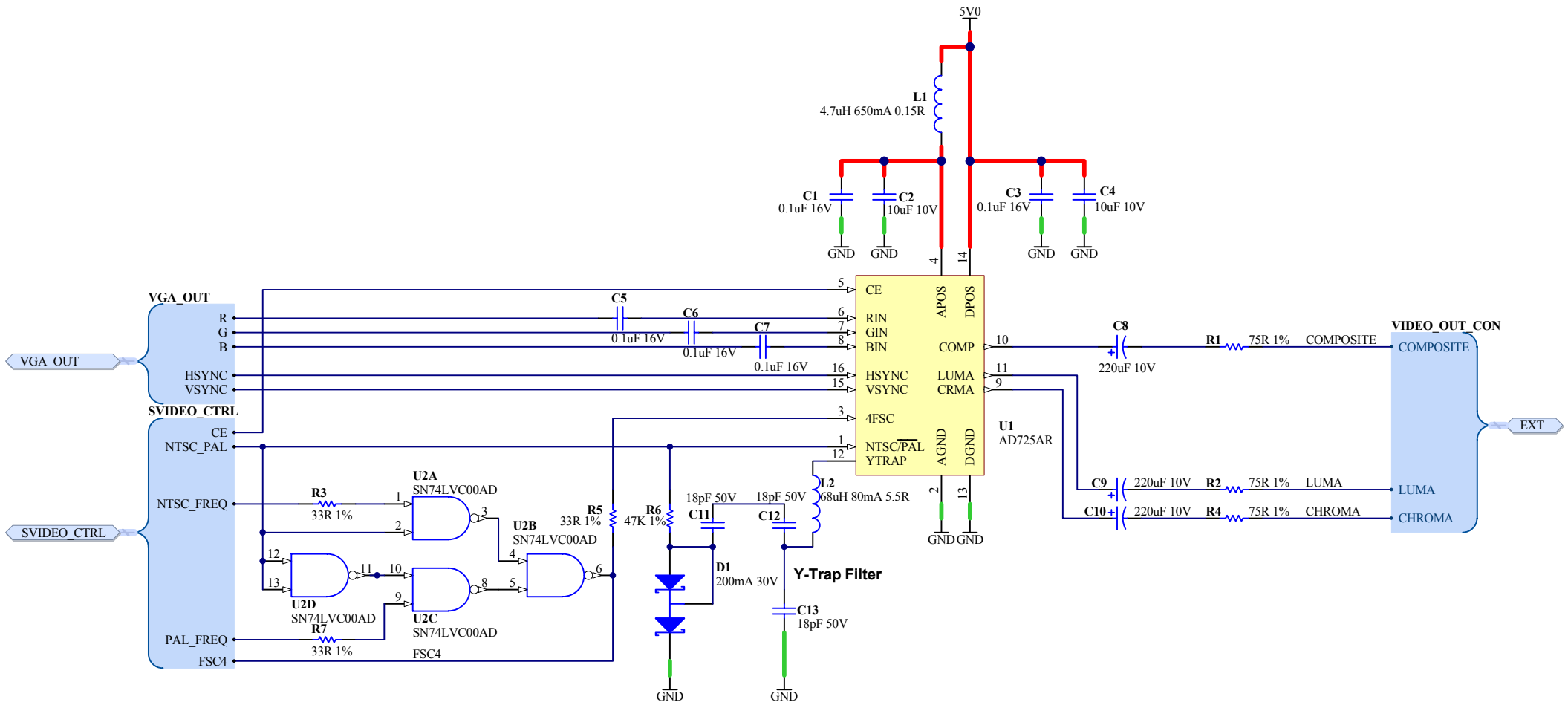





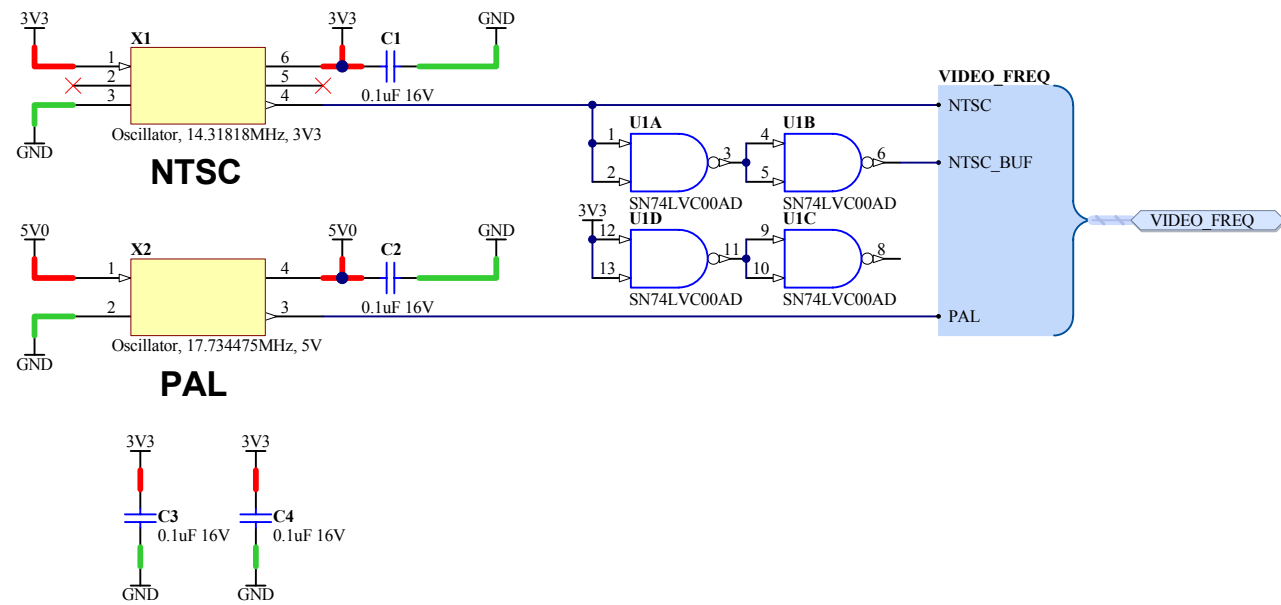
Sheet Title SVGA Video Output		
Project Title PB01 - Audio/Video Peripheral Bd		
Size: A4	Assy: D-820-0001	Revision: 07
Date: 27/11/2008	Time: 5:51:01 PM	Sheet 11 of 17
File: VIDEO_OUT.SVGA.SchDoc		


Altium Limited
 L3, 12A Rodborough Rd
 Frenchs Forest
 NSW 2086
 Australia

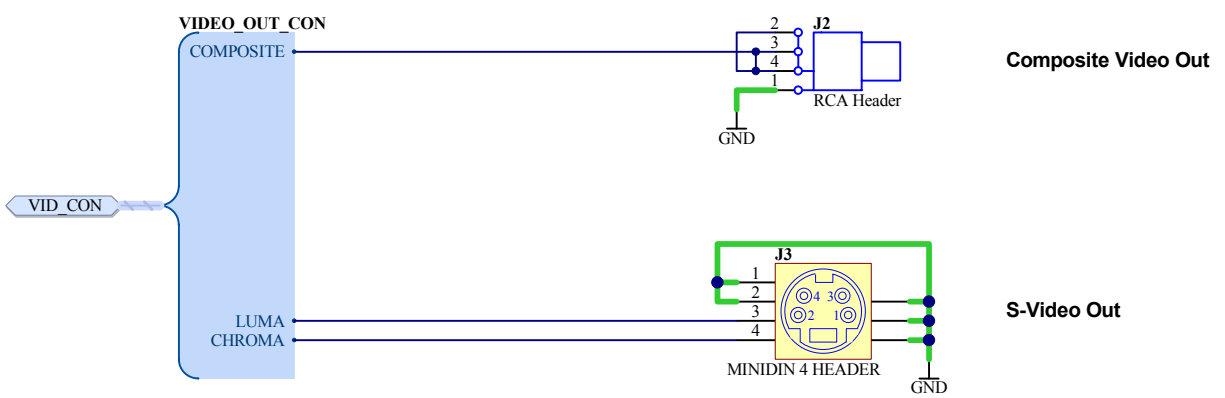
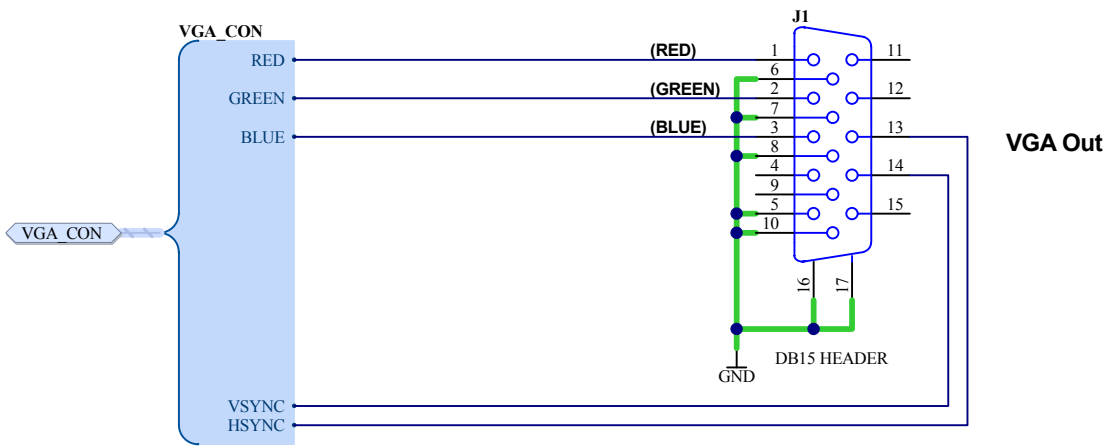





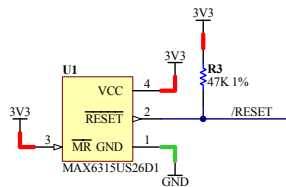
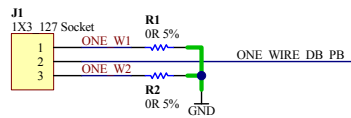
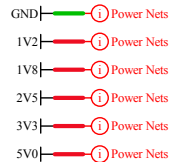
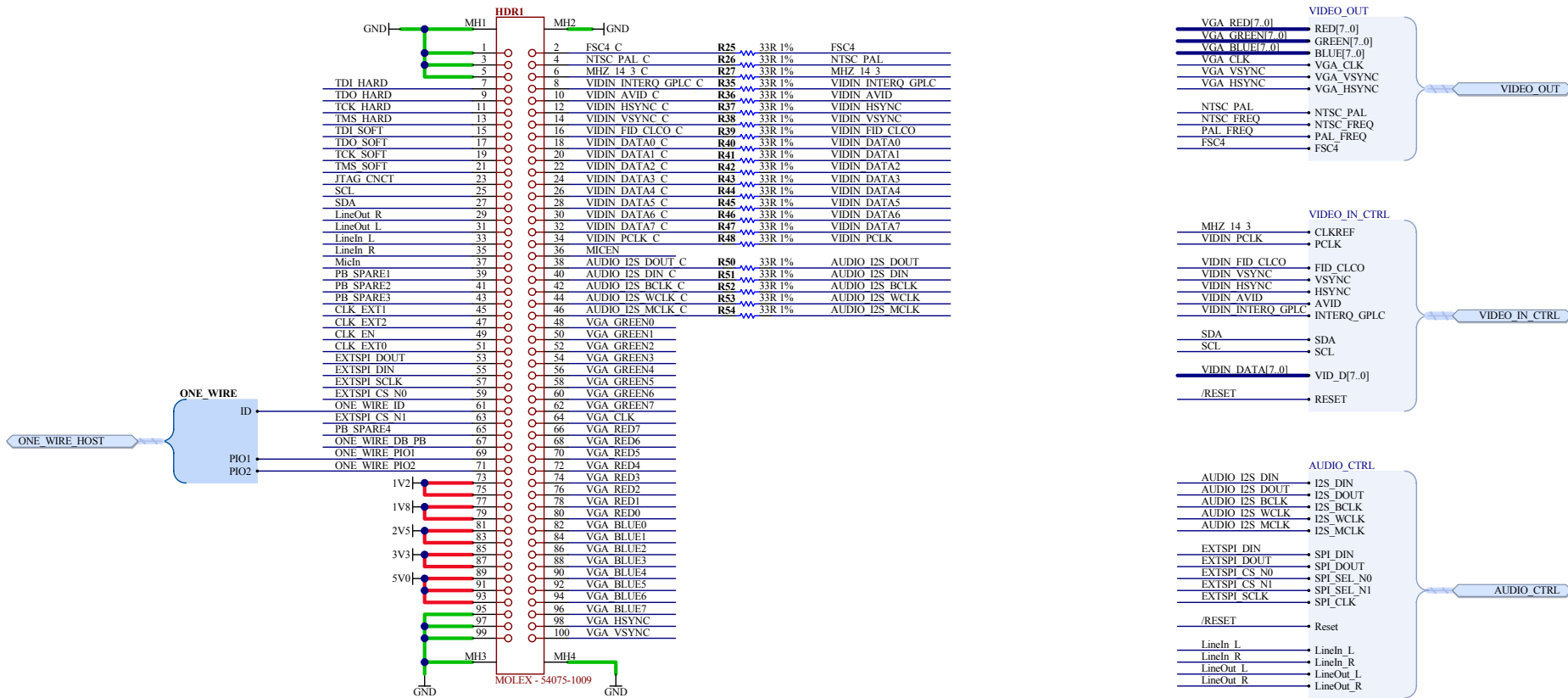
Sheet Title Composite Video Encoder			Altium Limited L3, 12A Rodborough Rd Frenchs Forest NSW 2086 Australia	
Project Title PB01 - Audio/Video Peripheral Bd				
Size: A4	Assy: D-820-0001	Revision: 07		
Date: 27/11/2008	Time: 5:51:01 PM	Sheet 12 of 17		
File: VIDEO_OUT_AD725.SchDoc				

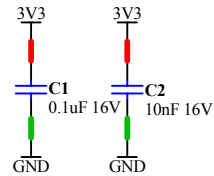
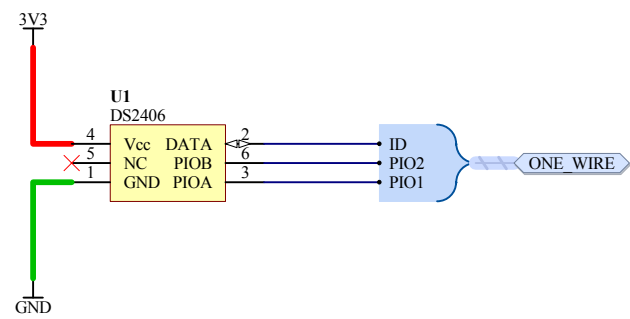



Sheet Title Video Oscillator		Altium Limited L3, 12A Rodborough Rd Frenchs Forest NSW 2086 Australia		
Project Title PB01 - Audio/Video Peripheral Bd				
Size: A4	Assy: D-820-0001			Revision: 07
Date: 27/11/2008	Time: 5:51:01 PM			Sheet 13 of 17
File: VIDEO_OSCILLATOR.SchDoc				



Sheet Title Video Out Connectors			Altium Limited L3, 12A Rodborough Rd Frenchs Forest NSW 2086 Australia	
Project Title PB01 - Audio/Video Peripheral Bd				
Size: A4	Assy: D-820-0001	Revision: 07		
Date: 27/11/2008	Time: 5:51:01 PM	Sheet 14 of 17		
File: CON_VIDEO_OUT.SchDoc				





Sheet Title <i>1-Wire Bus ID</i>			Altium Limited L3, 12A Rodborough Rd Frenchs Forest NSW 2086 Australia	
Project Title <i>PB01 - Audio/Video Peripheral Bd</i>				
Size: A4	Assy: D-820-0001	Revision:07		
Date: 27/11/2008	Time: 5:51:01 PM	Sheet 16 of 17		
File: 1WB_DS2406_EPROM.SchDoc				

1

2

3

4

A

A

B

B

C

C

D

D

MH1
MOUNTING HOLE 3MM



MH2
MOUNTING HOLE 3MM



MH3
MOUNTING HOLE 3MM



MH4
MOUNTING HOLE 3MM

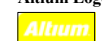



PCB1
PB01 Blank PCB
Printed Circuit Board (Bare)

Altium Logo Top1



Altium Logo Bottom1



Sheet Title MOUNTS, LOGO & LABEL			Altium Limited L3, 12A Rodborough Rd Frenchs Forest NSW 2086 Australia	
Project Title PB01 - Audio/Video Peripheral Bd				
Size: A4	Assy: D-820-0001	Revision:07		
Date: 27/11/2008	Time: 5:51:01 PM	Sheet 17 of 17		
File: PB01 MOUNTS.SchDoc				

1

2

3

4