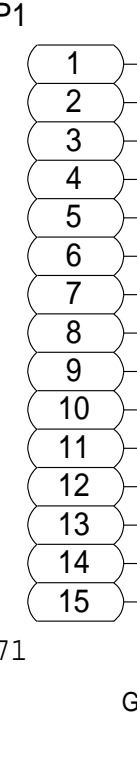




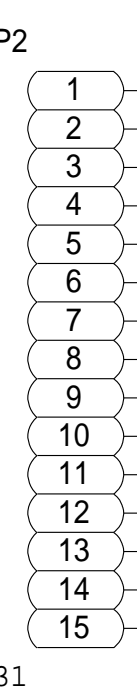
REVISIONS			
REV	DESCRIPTION	DATE	APPROVED

FEMALE VGA (DIN15)  
P1



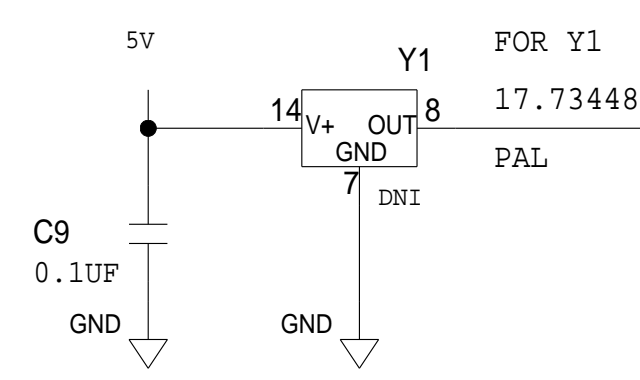
181-015-213R171

MALE VGA (DIN15)  
(PIN ORDER MAY CHANGE)

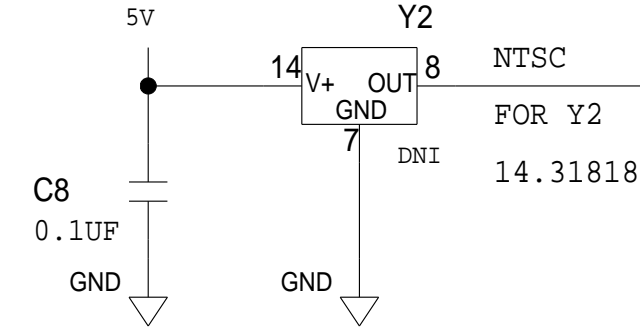


181-015-113R531

\*\*\* PLACEHOLDER \*\*\*



\*\*\* PLACEHOLDER \*\*\*



\*\*\* Y1 AND Y2 FOOTPRINTS \*\*\*  
\*\*\* USE \*\*\*  
\*\*\* ECS-100X OSCILLATOR SERIES \*\*\*

SW1

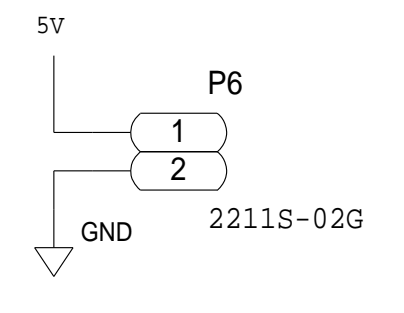
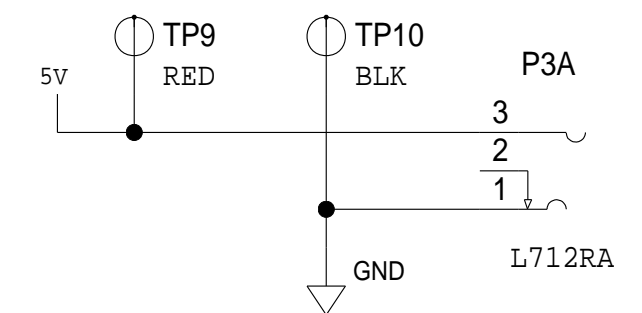
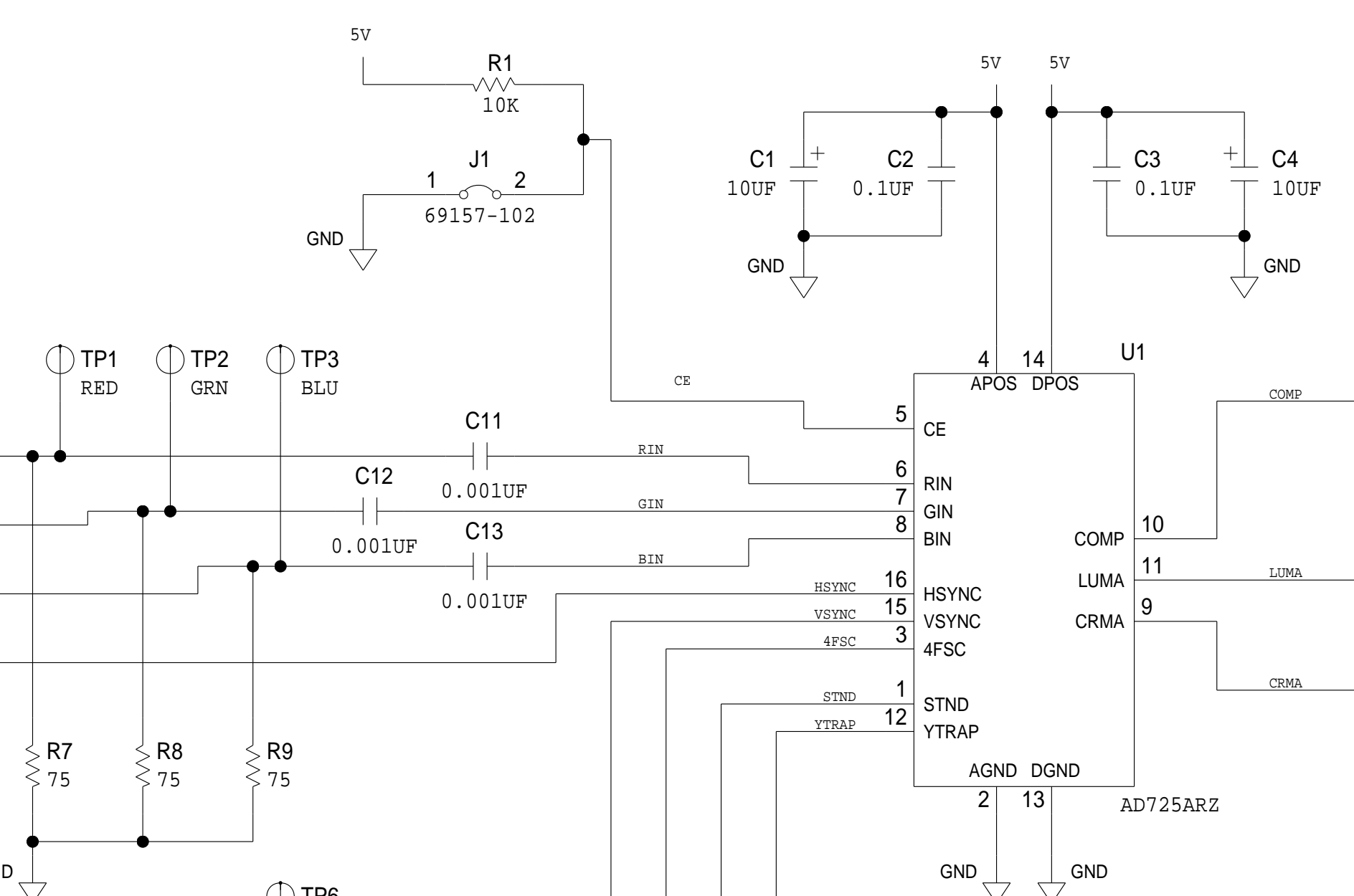
EG4208

SW2A

SW2B

SW2C

OS202011MS2QN1



ANALOG DEVICES		SCHEMATIC	
HW TYPE : AD725 EVAL BD Z Product (s) : AD725		DRAWING NO. 02-049628	
DESIGN VIEW FLAT:	PTD ENGINEER J. PEARSON	SCALE None	REV A
SIZE D	SCALE None	SHEET 2 OF 2	