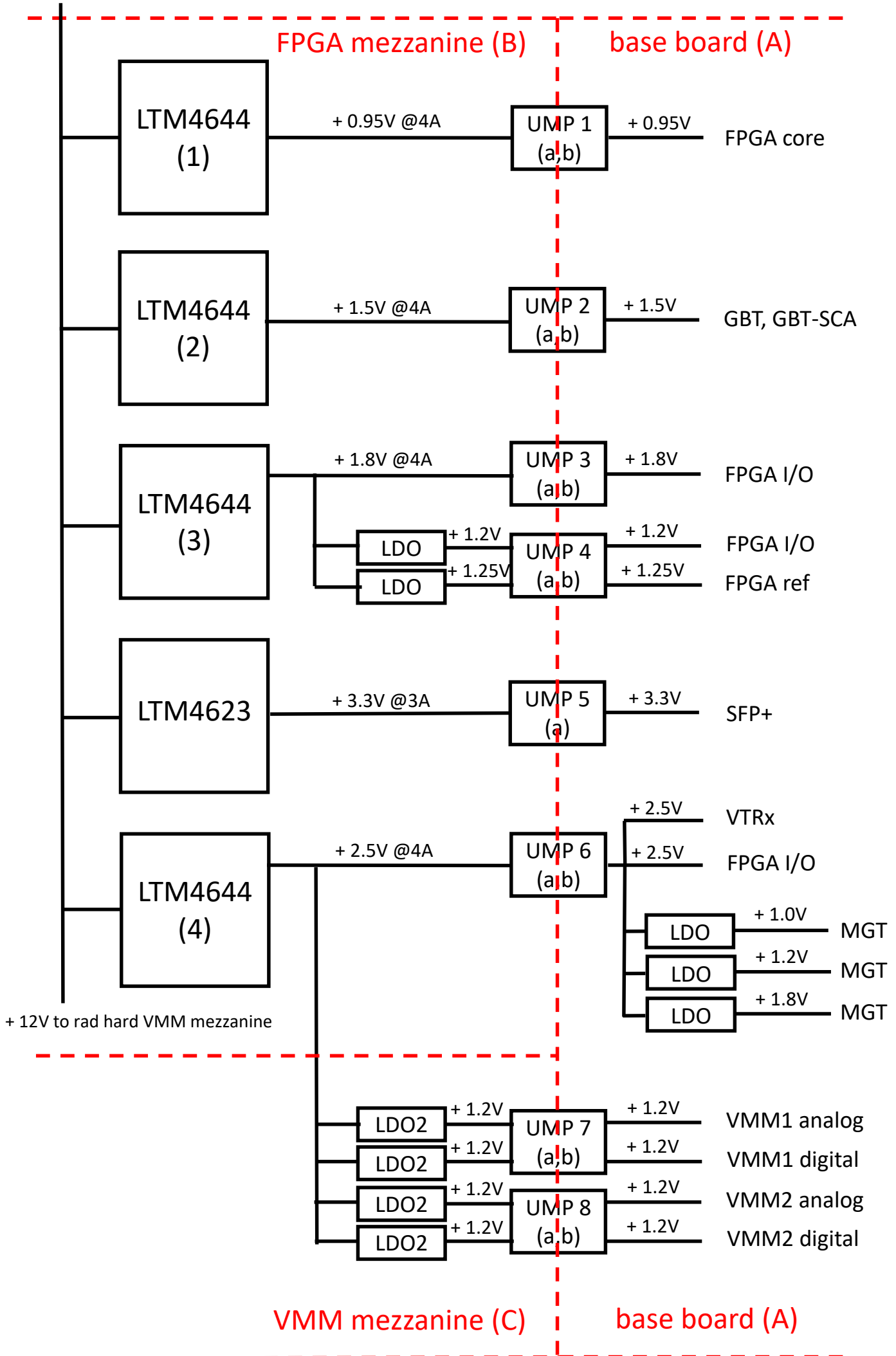


VMM prototype Power Tree

+ 12V in



LDO
LT3045

LDO2
ADP7157