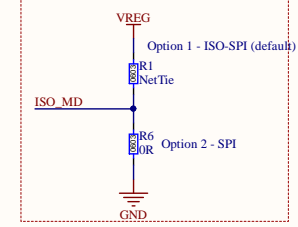
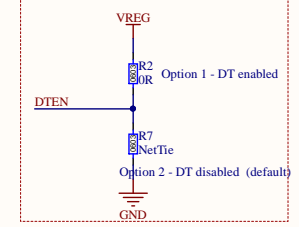


For the lowest board in the stack, communication wire will leave the battery module to interface to the Master BMS and in that case go through a connector with higher insulation rating.

SPI/ISO-SPI Configuration



Discharge timer Configuration



A

B

C

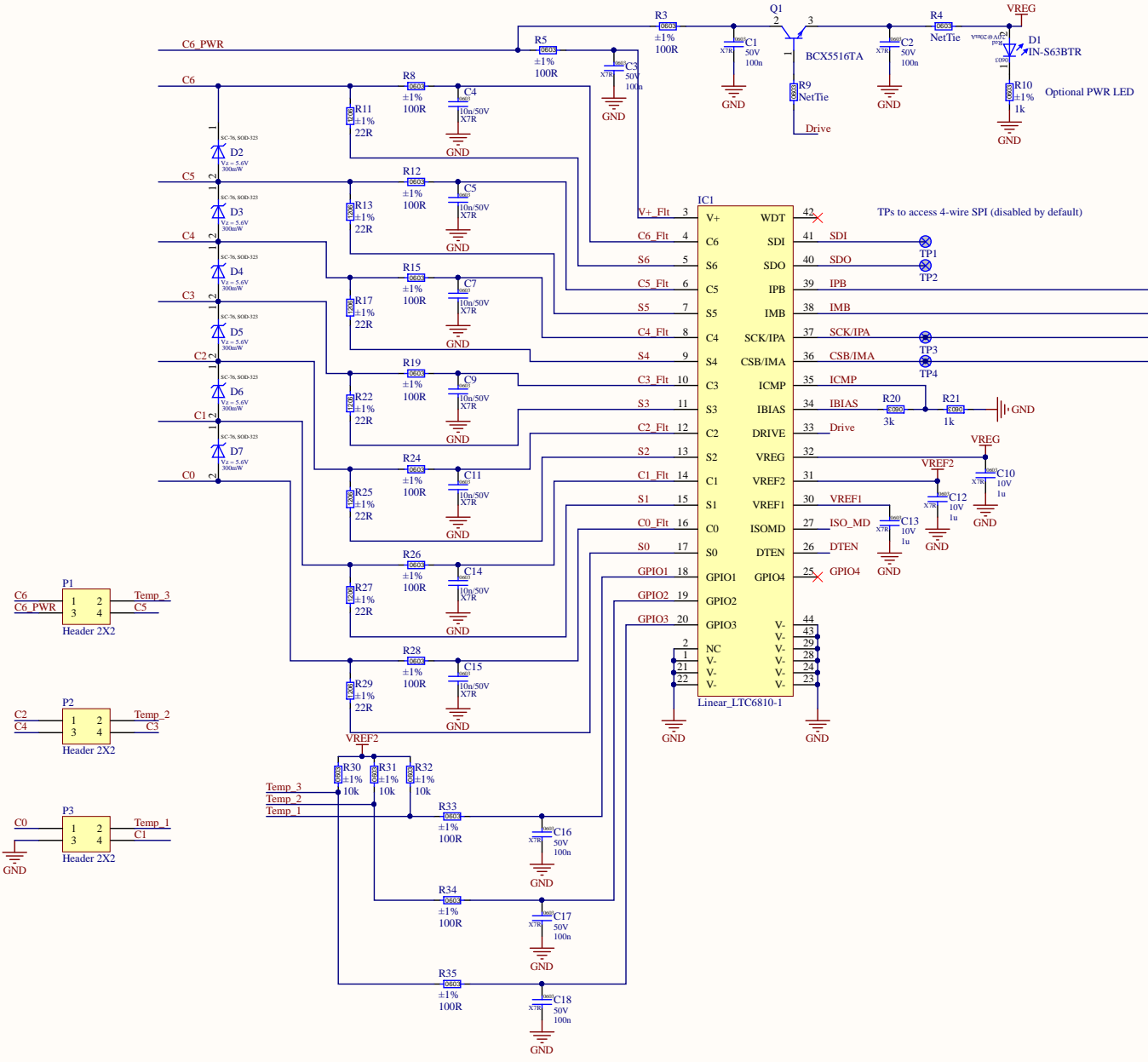
D

A

B

C

D



Discharge/Balancing info.
LTC6810-1 does not allow simultaneous discharge of two adjacent cells (page 71 in datasheet). This limits the maximum discharge voltage over S(n) to S(n-1) to 1 cell.
Power losses and discharge current:
Vin = 4.2V, Discharge current = 101mA
Fuse, 0.5R -> 5mW

Default termination and resistor selection suitable for external 1:1 transformer and short to medium cable length with moderate amount of noise. See LTC6810 Datasheet for calculations if adjustments are needed.

Title		
Size	Number	Revision
A3		
Date:	2019-11-27	Sheet of
File:	C:\Users\...Slave_Module_IC.SchDoc	Drawn By:

Comment	Description	Designator	Footprint	LibRef	Quantity
---------	-------------	------------	-----------	--------	----------