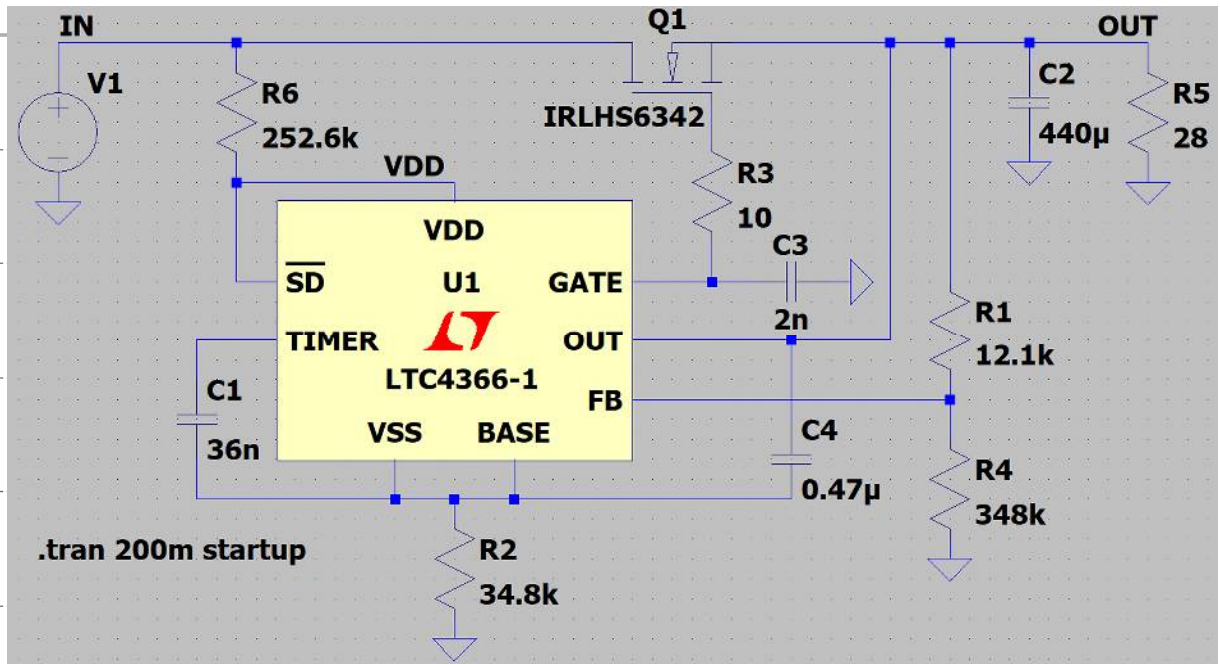


VDD voltage related to VSS is 12V, but its abs max is 10V. /SD pin voltage is also the same. Higher voltage than the abs max voltage is applied, no problem?



ABSOLUTE MAXIMUM RATINGS (Notes 1, 2) All voltages relative to V_{SS}, unless otherwise noted.

Supply Voltage (V _{DD})	-0.3V to <u>10V</u>	Currents
Supply Voltage (OUT)	-0.3V to 5V	I _{VDD}
Input Voltages		I _{OUT}
FB	-0.3V to OUT + 0.3V	BASE
TIMER	-0.3V to 3.5V	SD
SD	-0.3V to <u>10V</u>	Operating Ambient Temperature Range (Note 4)