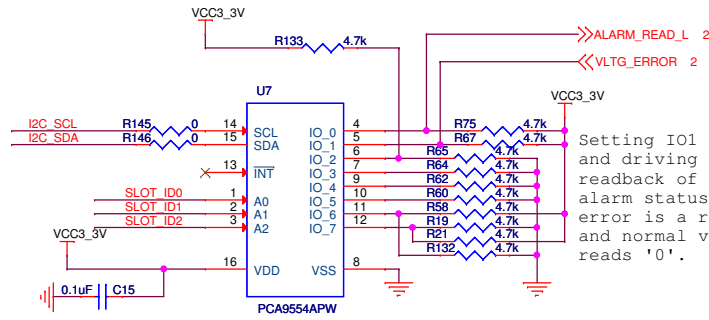
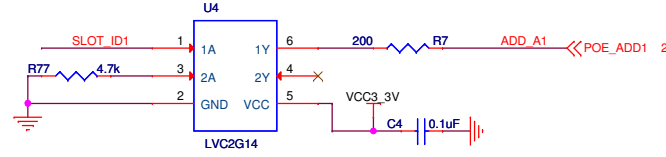
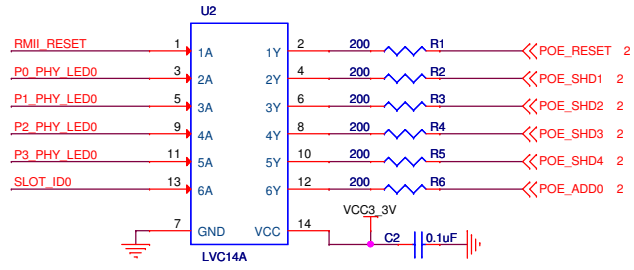
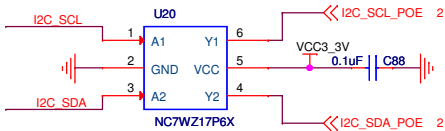
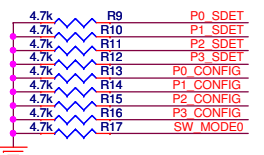
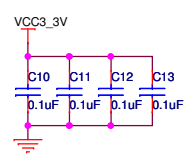
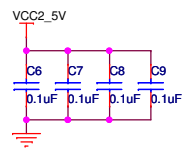
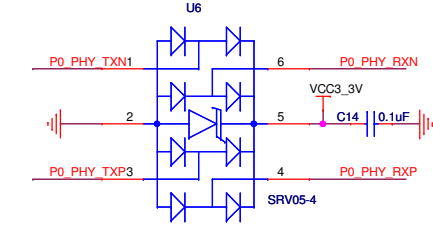
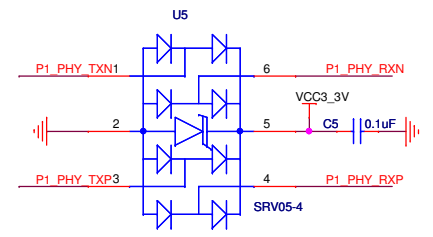
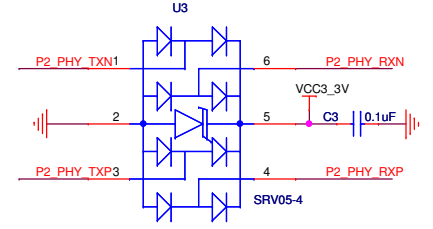
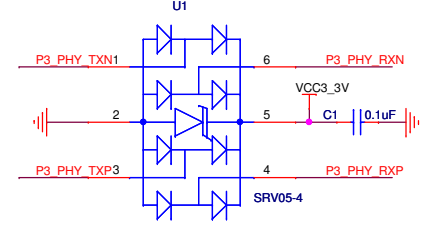
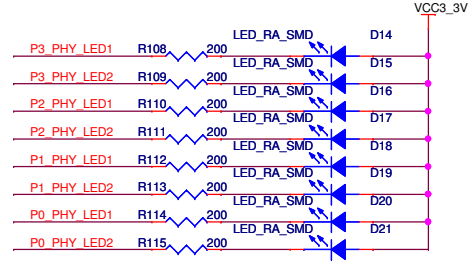
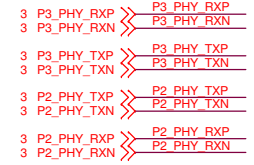
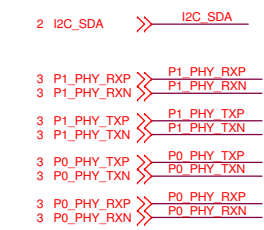


Molex\_538850708

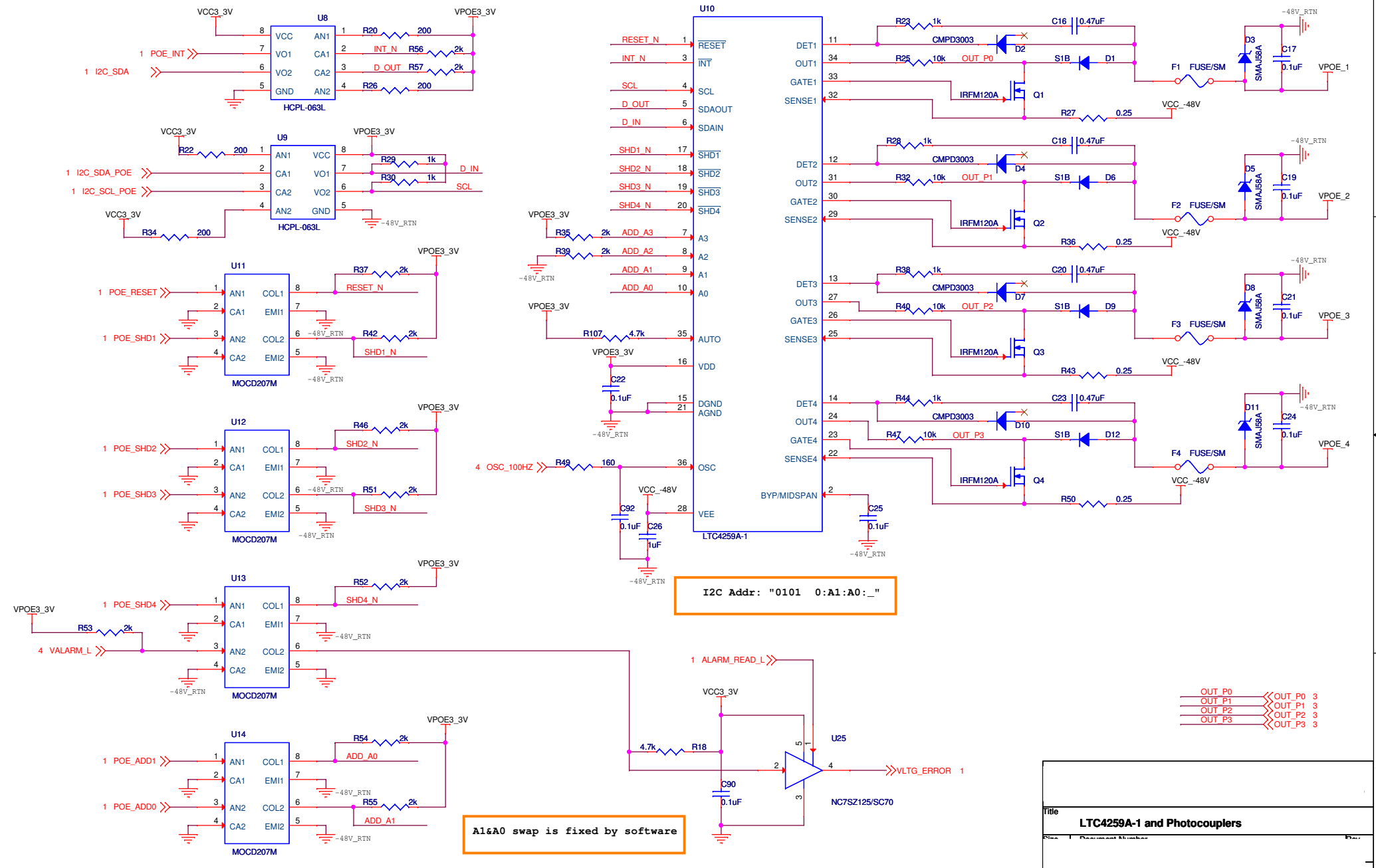


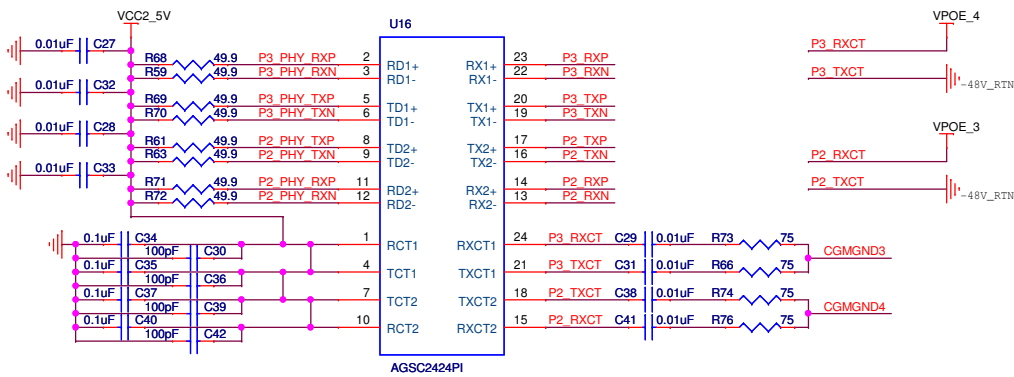
Setting IO1 as an output and driving a '0' enables readback of the voltage alarm status on IO2. An error is a read of a '1', and normal voltage reads '0'.

- 4-Port POE (0.50ohm) Card ID : "0000 0011"
- 4-Port POE+ (0.25ohm) Card ID : "0400 0011"
- 4-Port POE (0.25ohm) Card ID : "8000 0011"

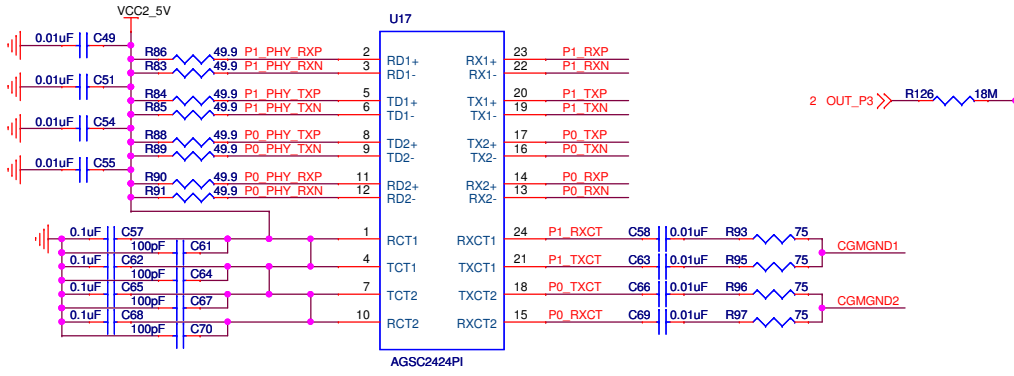


Title  
**Connector, EEPROM, ESD, Logic**

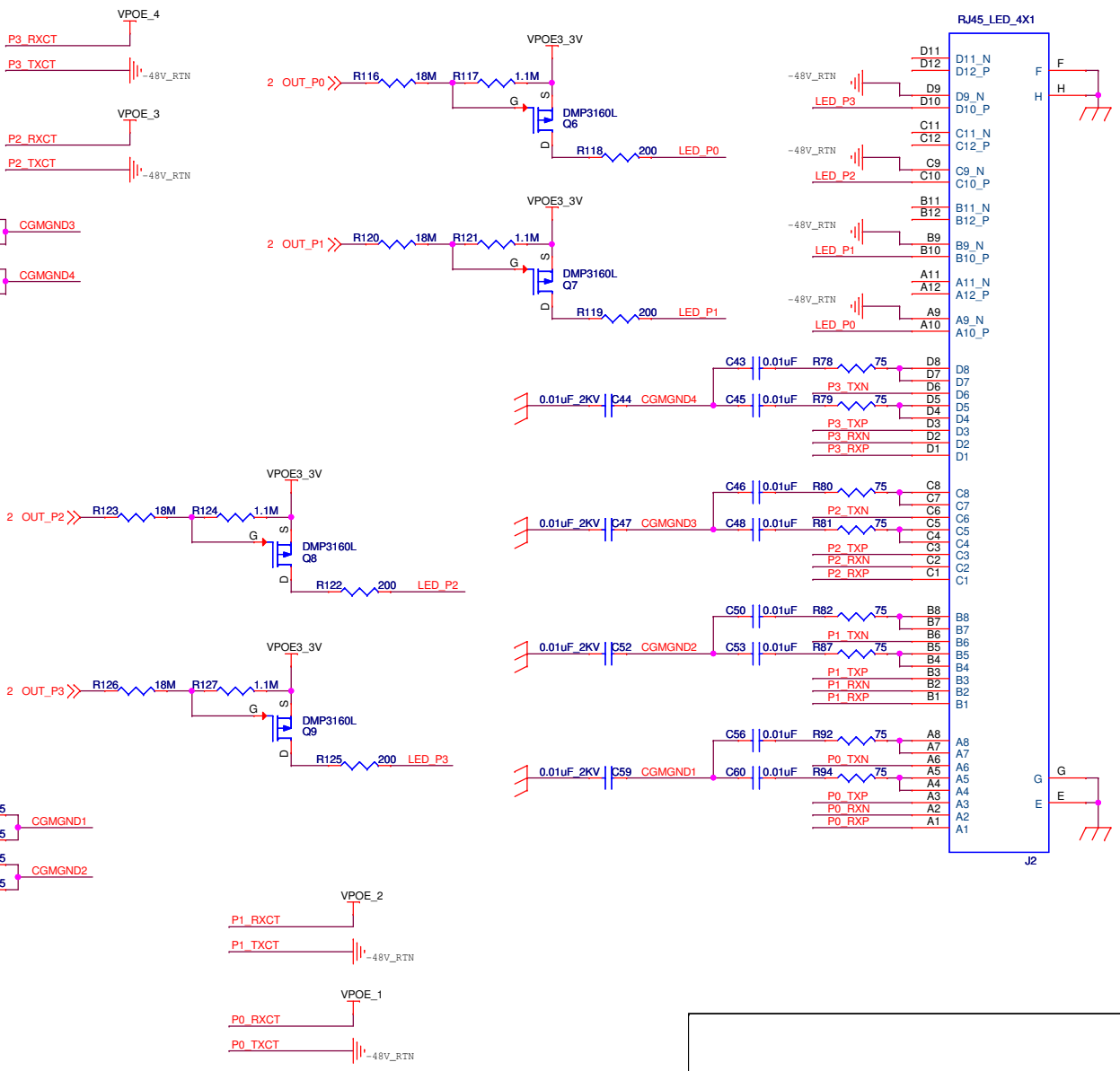




- 1 P3\_PHY\_RXP >> P3\_PHY\_RXP
- 1 P3\_PHY\_RXN >> P3\_PHY\_RXN
- 1 P3\_PHY\_TXP >> P3\_PHY\_TXP
- 1 P3\_PHY\_TXN >> P3\_PHY\_TXN
- 1 P2\_PHY\_TXP >> P2\_PHY\_TXP
- 1 P2\_PHY\_TXN >> P2\_PHY\_TXN
- 1 P2\_PHY\_RXP >> P2\_PHY\_RXP
- 1 P2\_PHY\_RXN >> P2\_PHY\_RXN

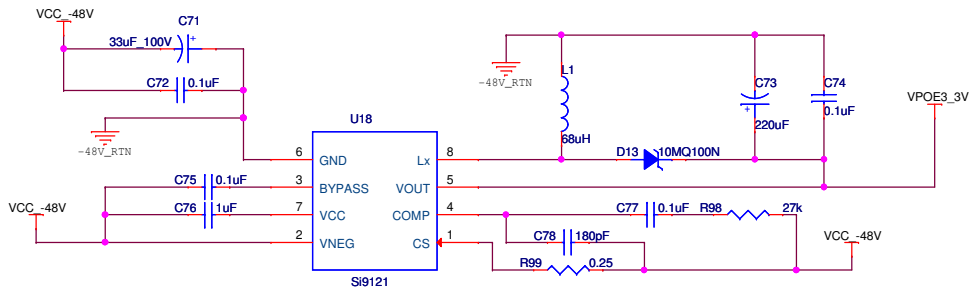


- 1 P1\_PHY\_RXP >> P1\_PHY\_RXP
- 1 P1\_PHY\_RXN >> P1\_PHY\_RXN
- 1 P1\_PHY\_TXP >> P1\_PHY\_TXP
- 1 P1\_PHY\_TXN >> P1\_PHY\_TXN
- 1 P0\_PHY\_TXP >> P0\_PHY\_TXP
- 1 P0\_PHY\_TXN >> P0\_PHY\_TXN
- 1 P0\_PHY\_RXP >> P0\_PHY\_RXP
- 1 P0\_PHY\_RXN >> P0\_PHY\_RXN

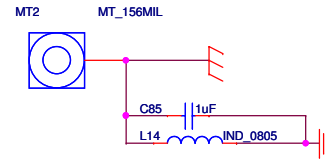
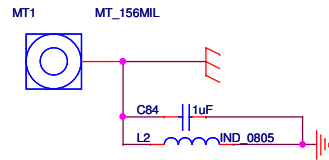
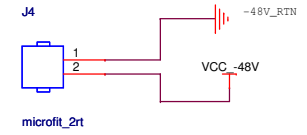
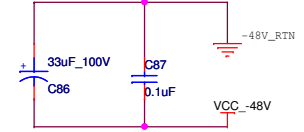
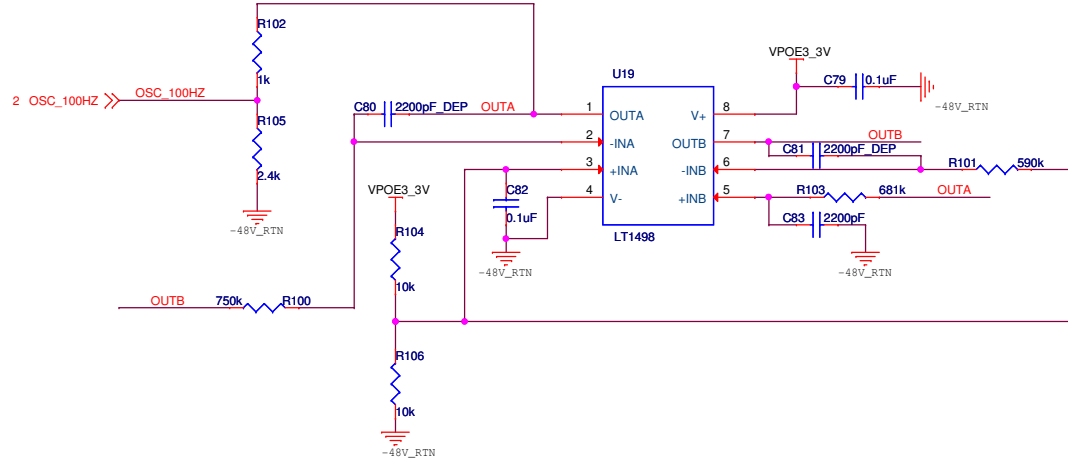
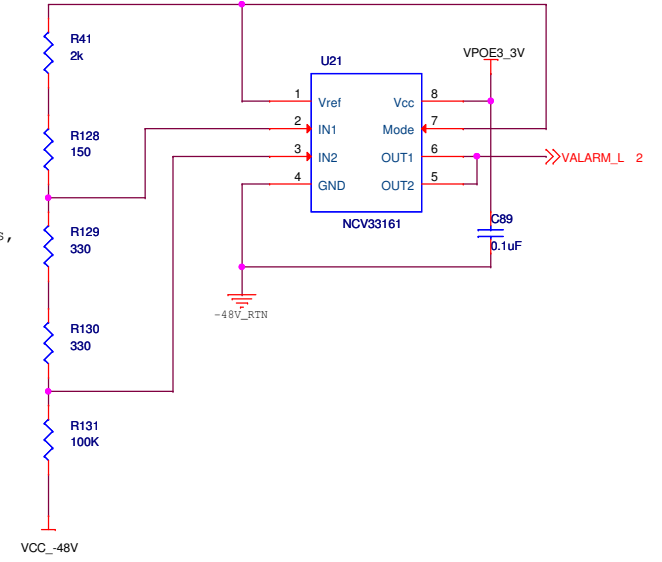


- P1\_RXCT
- P1\_TXCT
- P0\_RXCT
- P0\_TXCT

Title
<b>Transformers and RJ45 Connector</b>



For 802.3at applications, replace R130 with a 0 ohm resistor.



Title	
<b>Power and Regulators</b>	