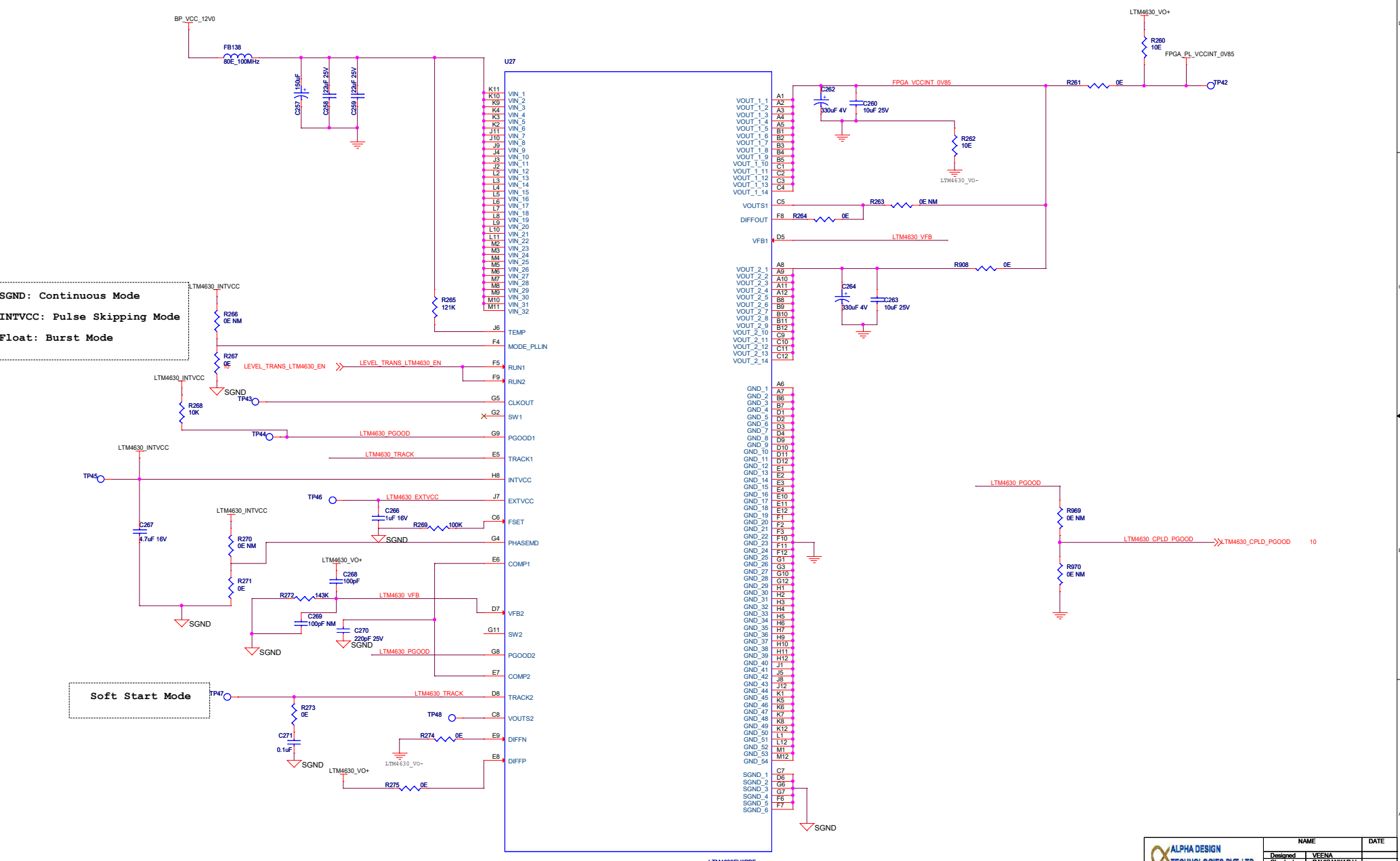


SWITCHING REGULATOR- PL_VCCINT_0V85



ALPHA DESIGN TECHNOLOGIES PVT. LTD		NAME	DATE
Designed	VEENA		
Checked	RAVISANKAR V		
Approved	<Signature>		
Project: VPX BASED BASEBAND UNIT(BBU)			
Title: POWER SUPPLY-1			
Size C	Document Number: MODEM MODULE SCHEMATIC	Rev A.00	
Date: Monday, June 27, 2022	Sheet 12	of 38	