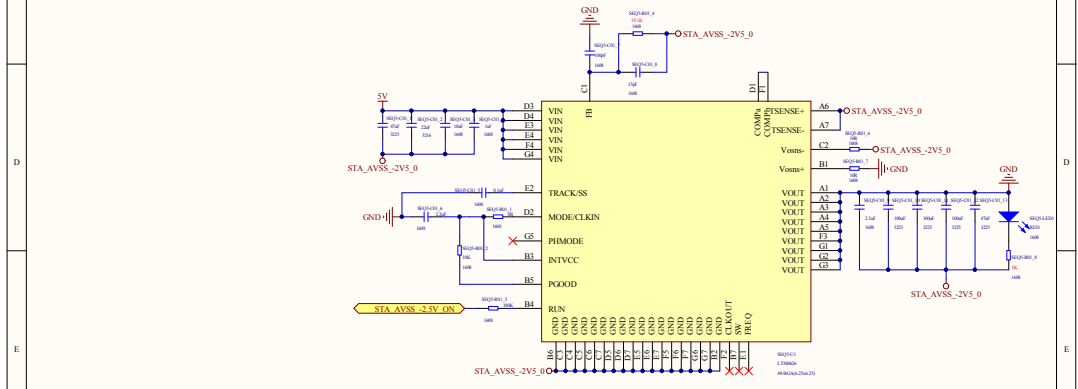
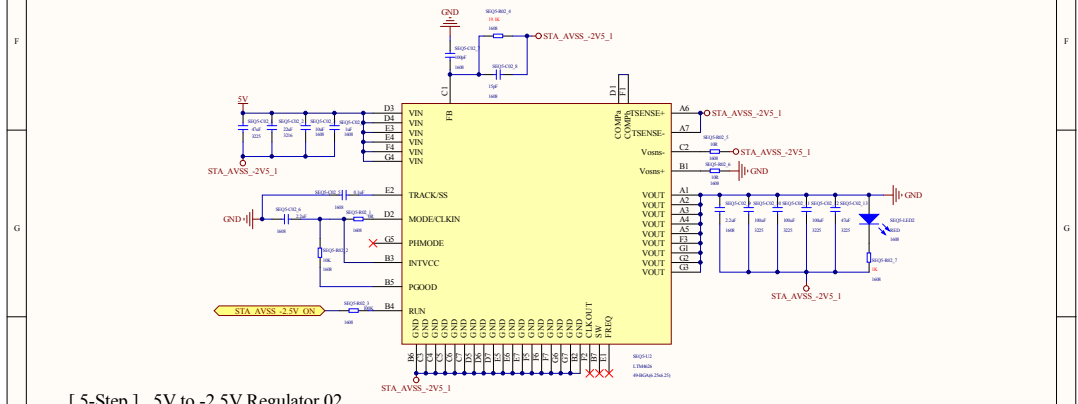


[ 4-Step ] 5V to 3.3V Regulator ( STA DVDD)



[ 5-Step ] 5V to -2.5V Regulator 01



[ 5-Step ] 5V to -2.5V Regulator 02

Modify						Project	Project Name Input	Name	LTM4626.SchDoc	Drawn	Checked	Approved	
								Drawing No.	SIH-000-000-001	Drawn	C-Stamp1	A-Stamp	
								Rev No.	---				
								Date	2023.10.12	Time	9:59:15	Sheet	*** of 3 total
									C:\Users\user\Desktop\regulator				
									LTM4626.SchDoc				