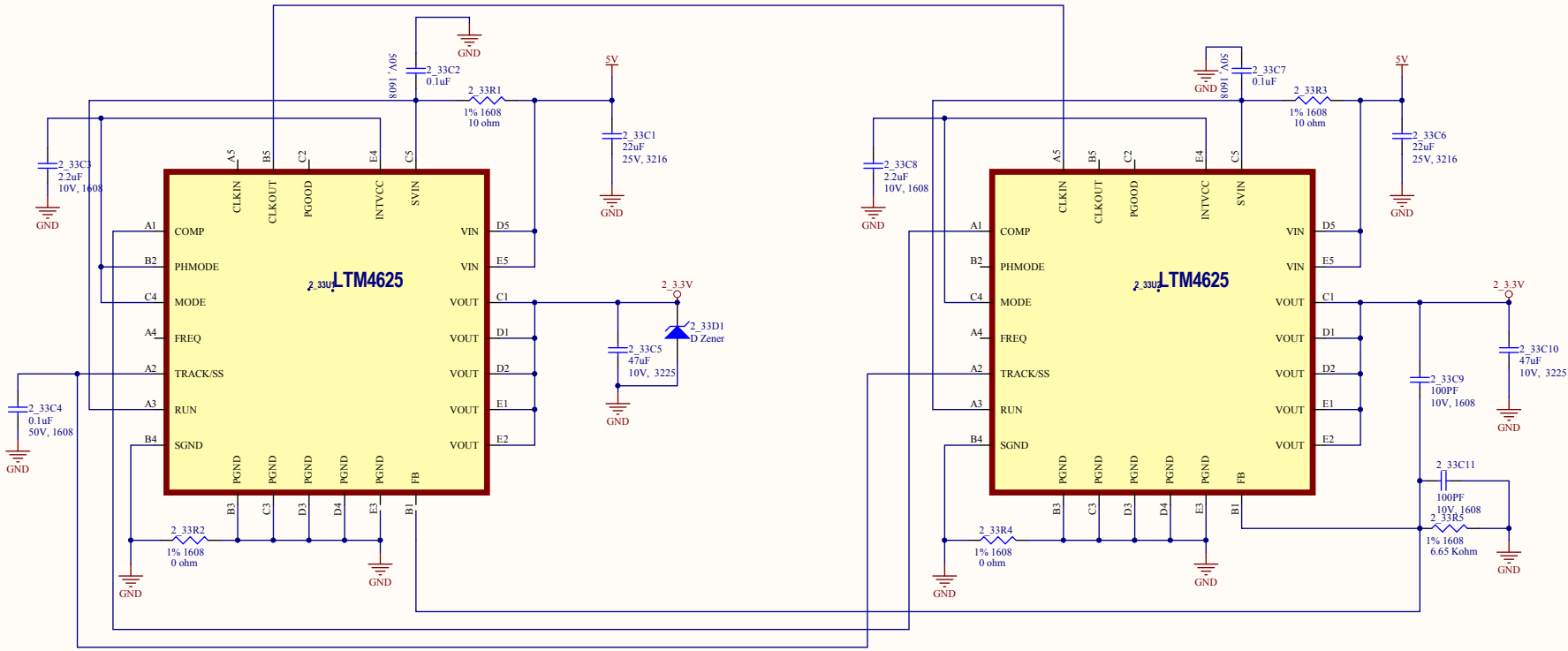


### 3.3V Regulator



Zener Diode : 1SMB5918BT3GOSTR-ND

Modify								Project	Name	Checked	Approved	
								* LTM4625.SchDoc	TS.JIN	Y.N.KIM	Y.J.PARK	HT.KIM
								Drawing No. SCH-000-00000	Rev No. -			
							Date: 2020-10-12	Time: 3:58:54	Sheet 1 of 10			
		Change		Date	Drawn	Checked	Approved	File: C:\Users\User\Desktop\Regulator	LTM4625.SchDoc			