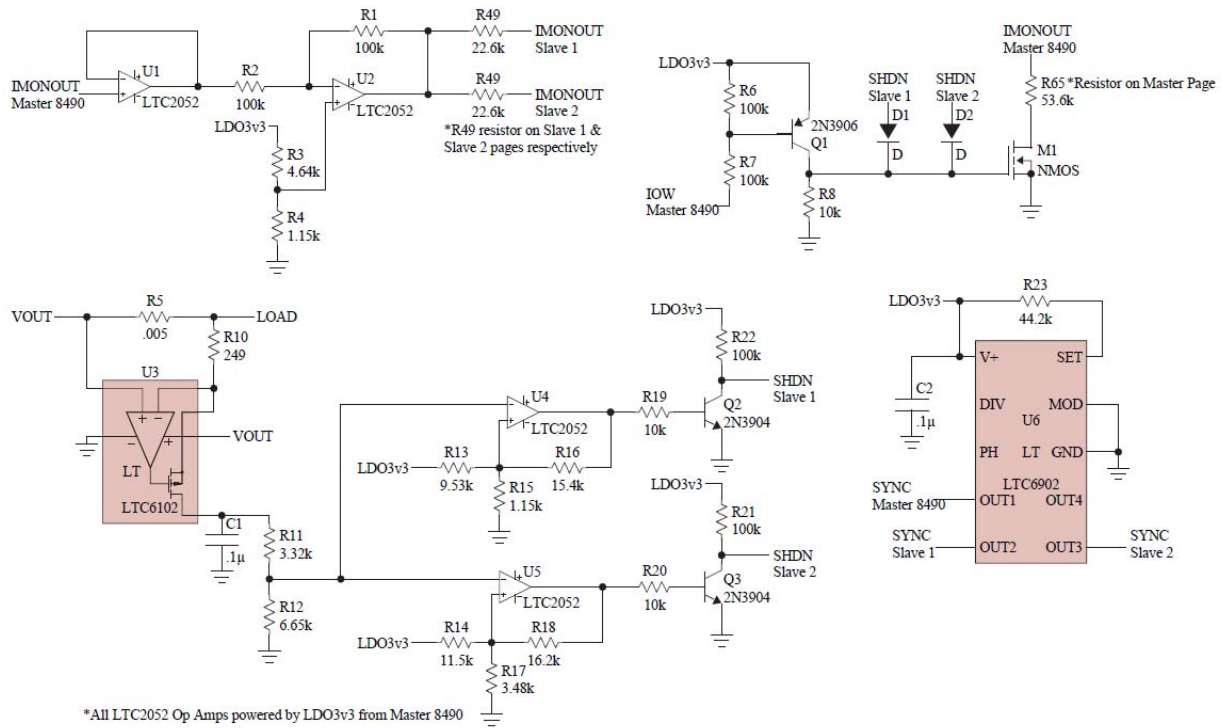


STAGE CONTROL AND CLOCK CIRCUITRY



The circuit above shows how to add two LT8705 power stages as slaves in parallel with one LT8490. This circuit is using an additional output current sense resistor to measure total charge current. Two comparators U4 and U5 will turn on one and then the other slave as output current increases. This results in a good efficiency over the load range.

I don't need the buck-boost function - Can I remove some of the MOSFETs?

No, the circuit will not function as intended if all four MOSFETs are not included.