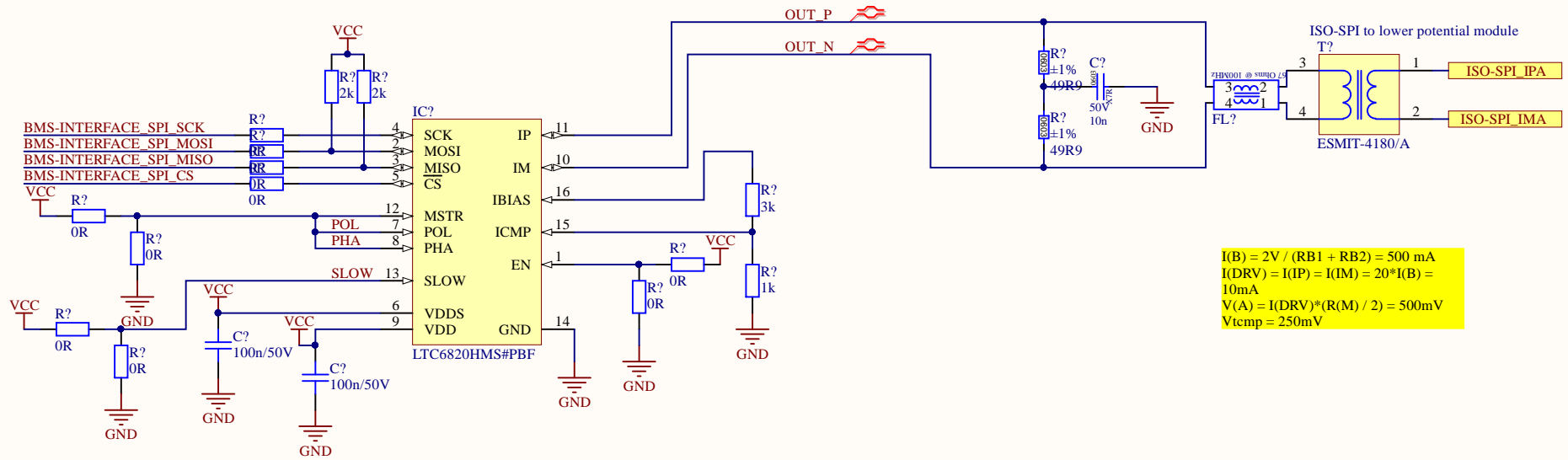


ISO SPI Circuit as Master & Slave



$I(B) = 2V / (RB1 + RB2) = 500 \text{ mA}$
 $I(DRV) = I(IP) = I(IM) = 20 * I(B) = 10 \text{ mA}$
 $V(A) = I(DRV) * (R(M) / 2) = 500 \text{ mV}$
 $V_{tcmp} = 250 \text{ mV}$

Design two of these circuits on Master BMS Board

Title		
Size	Number	Revision
A4		
Date:	2019-11-27	Sheet of
File:	C:\Users\...ISO-SPI Circuit Master & Slave.sch	

Comment	Description	Designator	Footprint	LibRef	Quantity
---------	-------------	------------	-----------	--------	----------