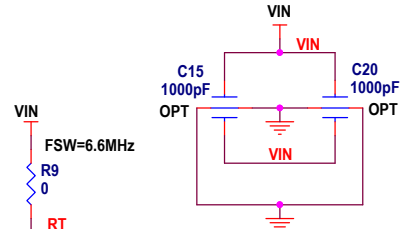
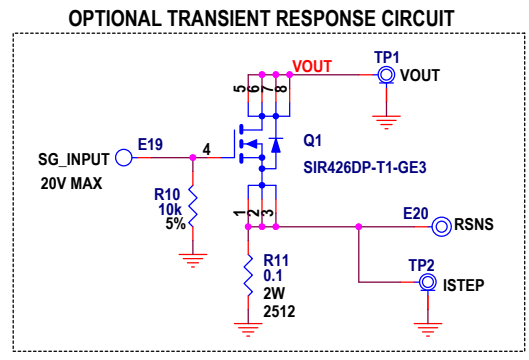
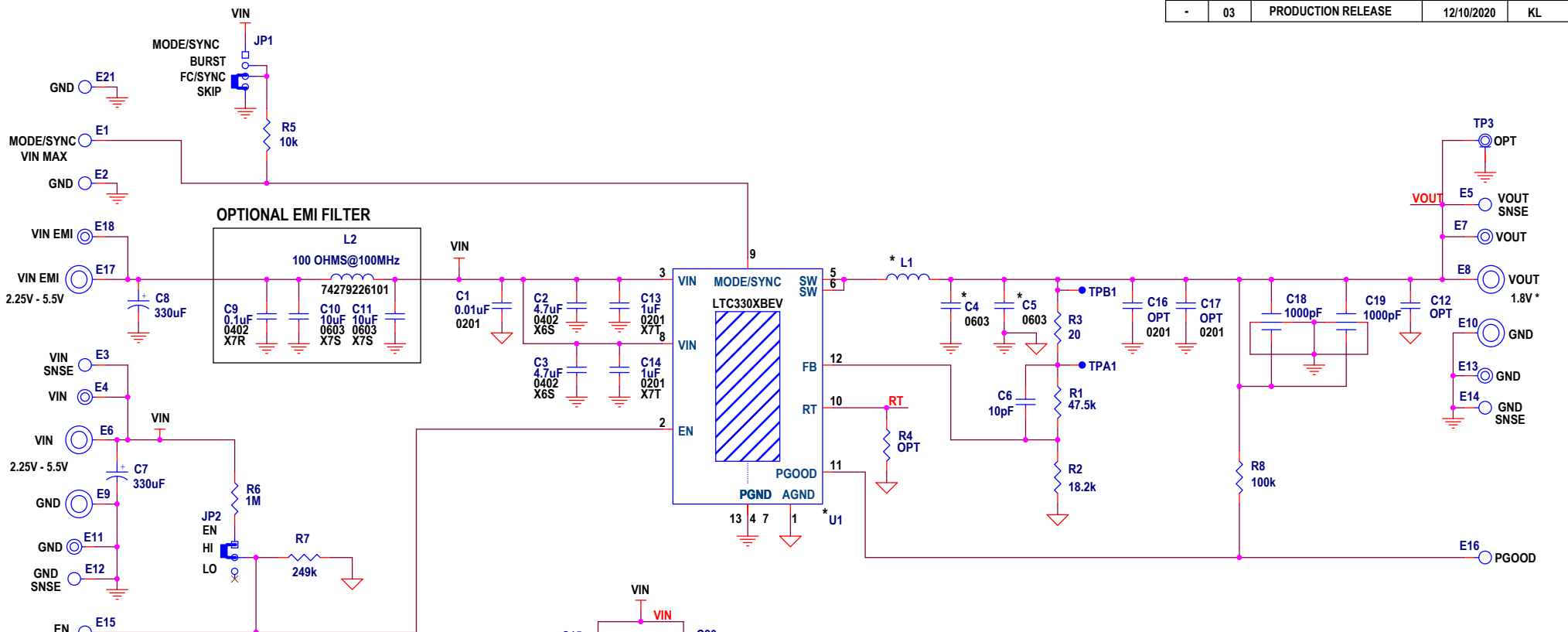


REVISION HISTORY				
ECO	REV	DESCRIPTION	APPROVED	DATE
-	03	PRODUCTION RELEASE	12/10/2020	KL




* ASSEMBLY OPTIONS TABLE

SKU#	U1	L1	C4 & C5	IOUT
-A	LTC3307B	DFE18SANR24MG0L	GRM188Z71C475KE21	3A
-B	LTC3308B	DFE201612PD-R15M=P2	GRM188Z71C475KE21	4A
-C	LTC3309B	TFM201208BLD-R11MTCA	C1608X7S0J106M080AC	6A

NOTES: UNLESS OTHERWISE SPECIFIED
 1. RESISTORS: OHMS, 0402, 1%, 1/16W
 2. CAPACITORS: 0402

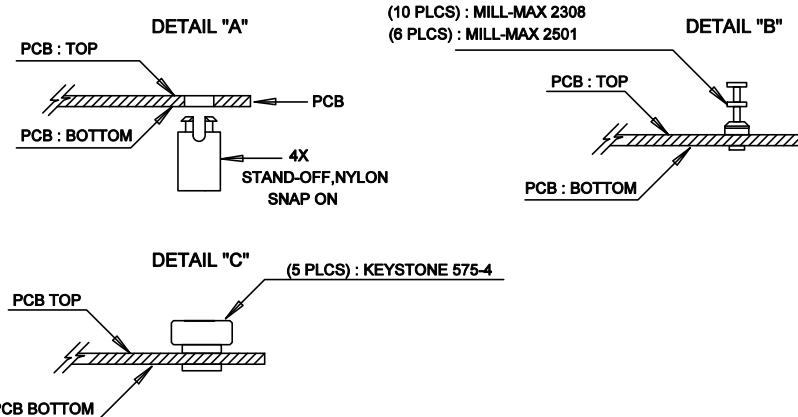
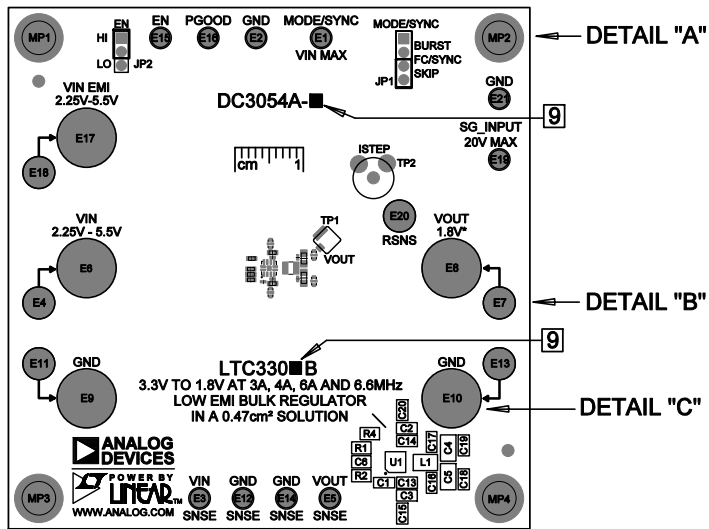
PCA ADDITIONAL PARTS	
MP1	STANDOFF,NYLON,SNAP-ON,0.50"
MP2	STANDOFF,NYLON,SNAP-ON,0.50"
MP3	STANDOFF,NYLON,SNAP-ON,0.50"
MP4	STANDOFF,NYLON,SNAP-ON,0.50"
LB1	LABEL
PCB1	PCB, DC3054A REV03

CUSTOMER NOTICE		APPROVALS		 www.analog.com
ANALOG DEVICES HAS MADE A BEST EFFORT TO DESIGN A CIRCUIT THAT MEETS CUSTOMER-SUPPLIED SPECIFICATIONS; HOWEVER, IT REMAINS THE CUSTOMER'S RESPONSIBILITY TO VERIFY PROPER AND RELIABLE OPERATION IN THE ACTUAL APPLICATION. COMPONENT SUBSTITUTION AND PRINTED CIRCUIT BOARD LAYOUT MAY SIGNIFICANTLY AFFECT CIRCUIT PERFORMANCE OR RELIABILITY. CONTACT ANALOG DEVICES APPLICATIONS ENGINEERING FOR ASSISTANCE.		PCB DES.	NC	
THIS CIRCUIT IS PROPRIETARY TO ANALOG DEVICES AND SUPPLIED FOR USE WITH ANALOG DEVICES PARTS.		APP ENG.	KY	
TITLE: SCHEMATIC 3.3V TO 1.8V AT 3A, 4A, 6A AND 6.6MHz LOW EMI BUCK REGULATOR IN A 0.47cm² SOLUTION				SCHEMATIC NO. AND REVISION: 710-DC3054A_REV03
IC NO. * SEE TABLE SKU NO. * SEE TABLE		SIZE: N/A DATE: 12-10-2020		
				SHEET 1 OF 1

REVISION HISTORY				
ECO	REV	DESCRIPTION	APP. ENG.	DATE
-	03	PRODUCTION	KL	12/10/20

NOTES: UNLESS OTHERWISE SPECIFIED

1. WORKMANSHIP SHALL BE IN ACCORDANCE WITH IPC-A-610.
2. ASSEMBLY REFLOW PROFILE SHALL BE IN ACCORDANCE WITH J-STD-020 WITH MAXIMUM SOLDER TEMPERATURE OF 250 DEGREES CELSIUS.
3. PARTS TO OMIT WILL BE SPECIFIED ON THE BILL OF MATERIALS. LOCATIONS OF OMITTED PARTS SHALL BE FREE OF SOLDER. MASK THE SOLDER STENCIL WHERE SMT PARTS ARE OMITTED.
4. INSTALL SHUNTS AS SHOWN ON ASSY DRAWING.
5. DEPANELIZE BOARDS AFTER ASSEMBLY AND ROUTE-OUT THE BREAKOUT TABS ON FOUR SIDES OF THE BOARD EDGE.
6. APPLY ASSEMBLY STAMP OR QA STAMP TO BOTTOM OF BOARD (UNSHOWY AREA).
7. INSTALL TURRETS, STAND-OFFS AS SHOWN BELOW:
8. APPLY DEMO S/N AT AREA ON BOTTOM SIDE AS SHOWN ON SHEET 2.

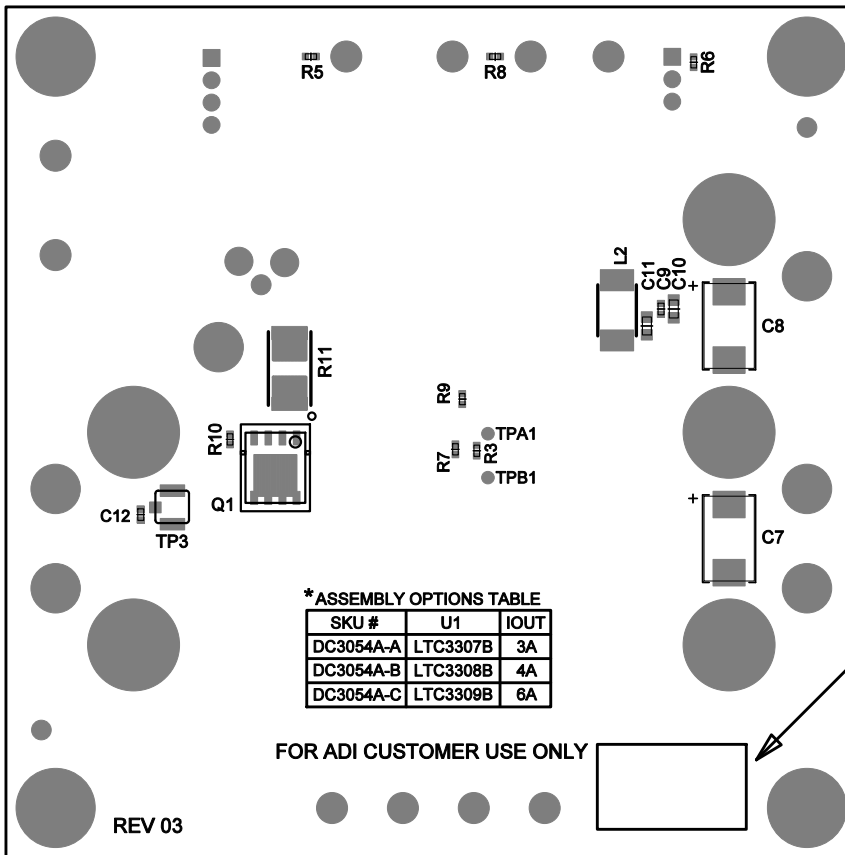


9. MARK EACH LTC PART NUMBER AND DEMO BOARD SKU# WITH BLACK PERMANENT MARKER AS SHOWN IN THE TABLE BELOW:

*** ASSEMBLY OPTIONS TABLE**

SKU #	U1	IOUT
DC3054A-A	LTC3307B	3A
DC3054A-B	LTC3308B	4A
DC3054A-C	LTC3309B	6A

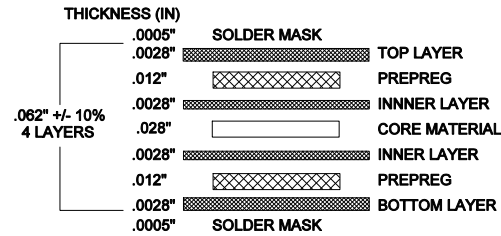
APPROVALS		ANALOG DEVICES POWER BY LINEAR	
PCB DES	NC	FOR ADI CUSTOMER USE ONLY	
APP ENG	KL	TITLE: TOP ASSEMBLY DRAWING 3.3V TO 1.8V AT 3A, 4A, 6A AND 6.6MHz LOW EMI BULK REGULATOR IN A 0.47cm ² SOLUTION	
SIZE	N/A	IC NO. LTC3307B, LTC3308B, LTC3309B	REV. 03
SCALE = NONE		SHT 1 OF 1	



APPROVALS		ANALOG DEVICES POWER BY LINEAR™ FOR ADI CUSTOMER USE ONLY		
PCB DES.	NC	TITLE: BOTTOM ASSEMBLY DRAWING 3.3V TO 1.8V AT 3A, 4A, 6A AND 6.6MHz LOW EMI BULK REGULATOR IN A 0.47cm ² SOLUTION		
APP ENG.	KL			
		SIZE N/A	IC NO. LTC3307B, LTC3308B, LTC3309B DC3054A-A/B/C	REV 03
SCALE = NONE				SHT 2 of 2

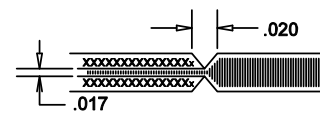
REVISION HISTORY			
ECO	REV	DESCRIPTION	APP. ENG. DATE
-	03	PRODUCTION	KL 12/10/20

LAYER STRUCTURE



NOTES: UNLESS OTHERWISE SPECIFIED

- FABRICATION: FABRICATION AND ACCEPTANCE TO MEET THE REQUIREMENTS OF IPC-A-600 AND IPC/ANSI-MLL950-C CLASS 2, AOL .25 GENERAL INSPECTION LEVEL II.
- MATERIAL: - EPOXY FIBERGLASS, NEMA GRADE FR-4
- FINISHED THICKNESS TO BE 0.062" +/- .005"
- TOTAL OF 4 LAYERS WITH 2 OZ. CU ON THE ALL LAYERS
- FLAMMABILITY RATING: 94 V-O MINIMUM.
- SIZE: CUT TO DIMENSIONS AND TOLERANCES SHOWN 0.00" ARE PRIMARY DATUMS.
- FRONT TO BACK LAYER REGISTRATION.
-SHALL BE WITHIN 0.005" (0.13mm) TO COMPLY WITH IPC-A-600, CLASS 2.
- DRILLING: - DRILL HOLES PER SCHEDULE. PLATE THROUGH HOLES WITH COPPER, 0.001" THICK MIN.
- ALL HOLE SIZES ARE SPECIFIED AFTER PLATING.
- HOLE LOCATION TOLERANCES ARE +/-0.003" IN RELATION TO CENTER.
- FINISH: - SMOBC USING LPI BOTH SIDES, PER IPC-SM-840, CLASS T, COLOR GREEN. TENT BOTH SIDES.
- APPLY ELECTROLESS NICKEL GOLD IMMERSION (ENIG) OVER EXPOSED COPPER PER IPC-4552.
- FOR SILKSCREEN: BOTH SIDES USE WHITE NON-CONDUCTIVE INK.
- DO NOT ALTER ARTWORK e.g. TO ADD LOGO OR DATE CODE.
-PAD SIZE CAN BE MODIFIED TO MEET END FINISH.
- PCBS ARE TO BE RoHS COMPLIANT.
- SCORING FOR PANELIZED PCB:

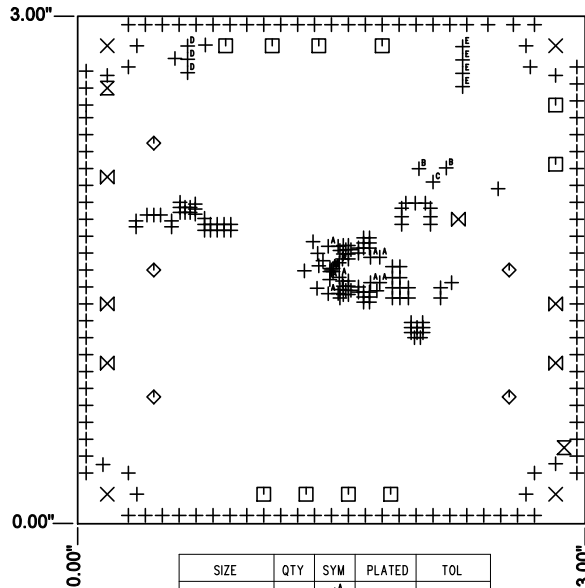


ADDITIONAL REQUIREMENT FOR PROTOTYPE FAB ONLY:

- OUTGOING INSPECTION REPORT (BASED ON ACTUAL MEASUREMENTS AND CROSS SECTION).

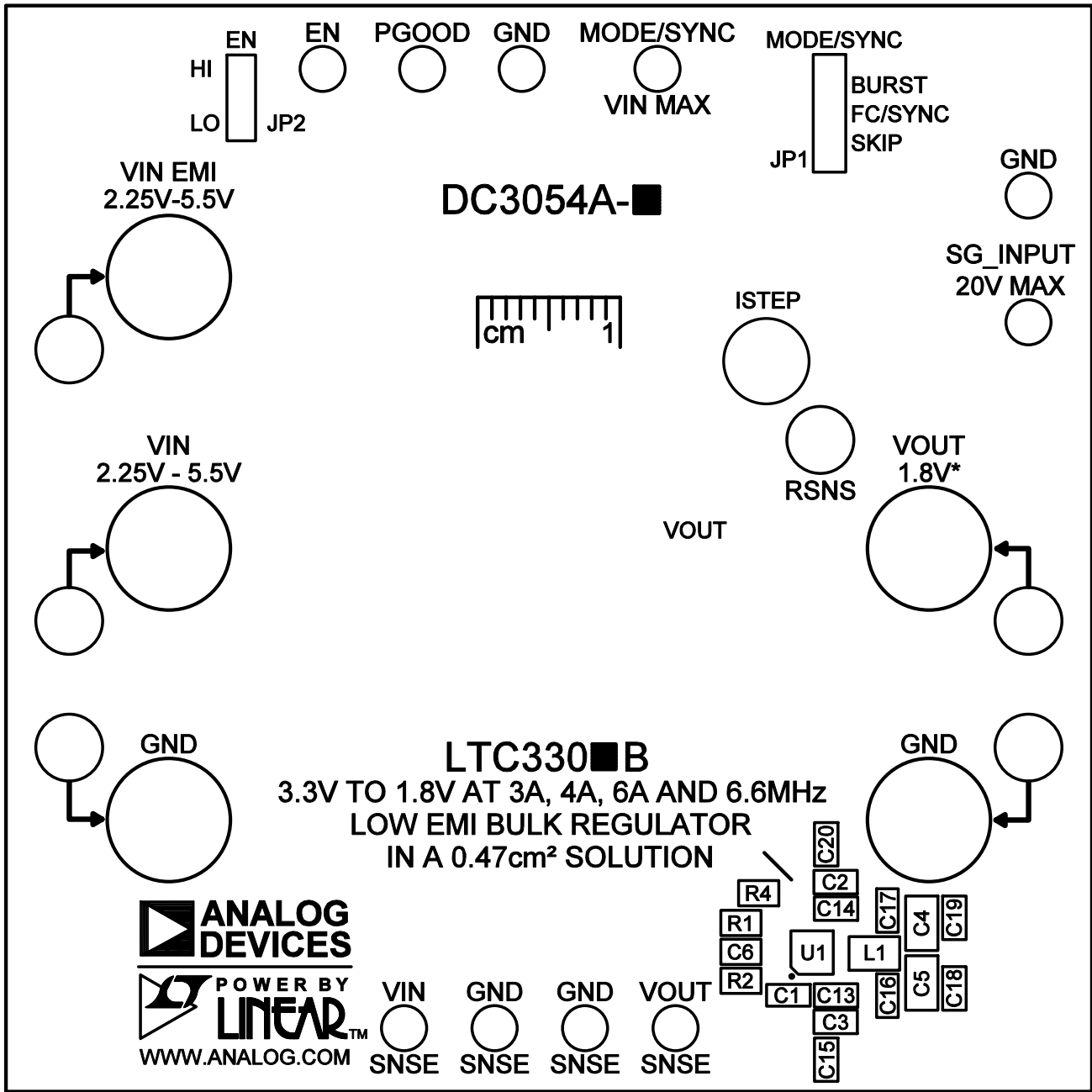
ADDITIONAL REQUIREMENTS FOR PRODUCTION FAB ONLY:

- PROVIDE COMPLIANCE CERTIFICATES FOR RoHS, REACH AND CONFLICT-FREE MINERALS.
- SOLDERABILITY BOARD WITH TEST RESULTS.
- OUTGOING INSPECTION REPORT (BASED ON ACTUAL MEASUREMENTS AND CROSS SECTION).
- VACUUM PACKED WITH DESICCANT.
- FULL PANEL WITH NO REJECT.

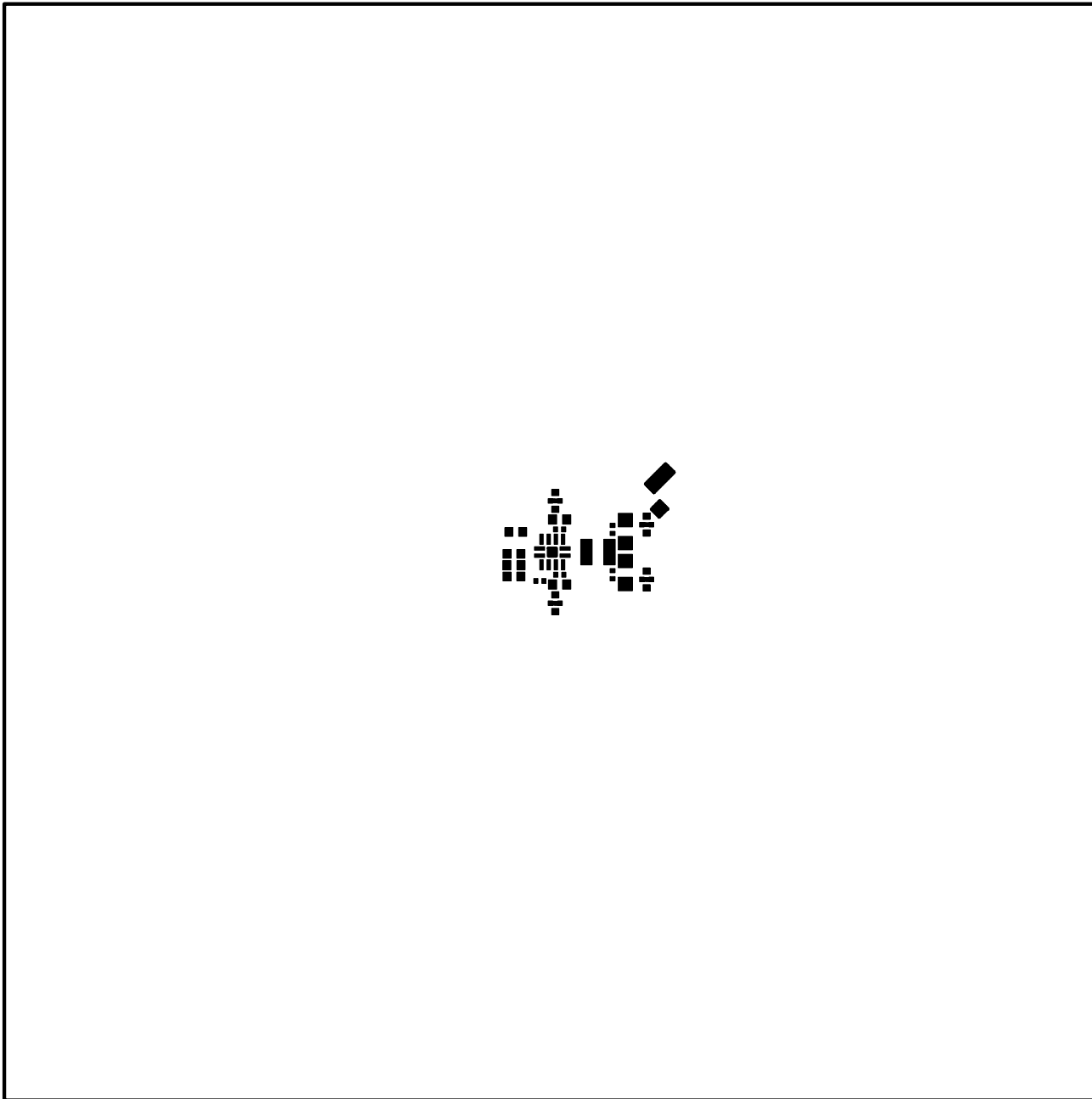


SIZE	QTY	SYM	PLATED	TOL
0.005	14	⊕ ^A	YES	+/-0.003"
0.01	218	⊕	YES	+/-0.003"
0.035	4	⊕ ^E	YES	+/-0.003"
0.04	3	⊕ ^D	YES	+/-0.003"
0.04134	1	⊕ ^C	YES	+/-0.003"
0.04724	2	⊕ ^B	YES	+/-0.003"
0.065	10	□	YES	+/-0.003"
0.07	2	⊗	NO	+/-0.003"
0.095	6	⊗	YES	+/-0.003"
0.19	4	⊗	YES	+/-0.003"
0.205	5	◇	YES	+/-0.003"

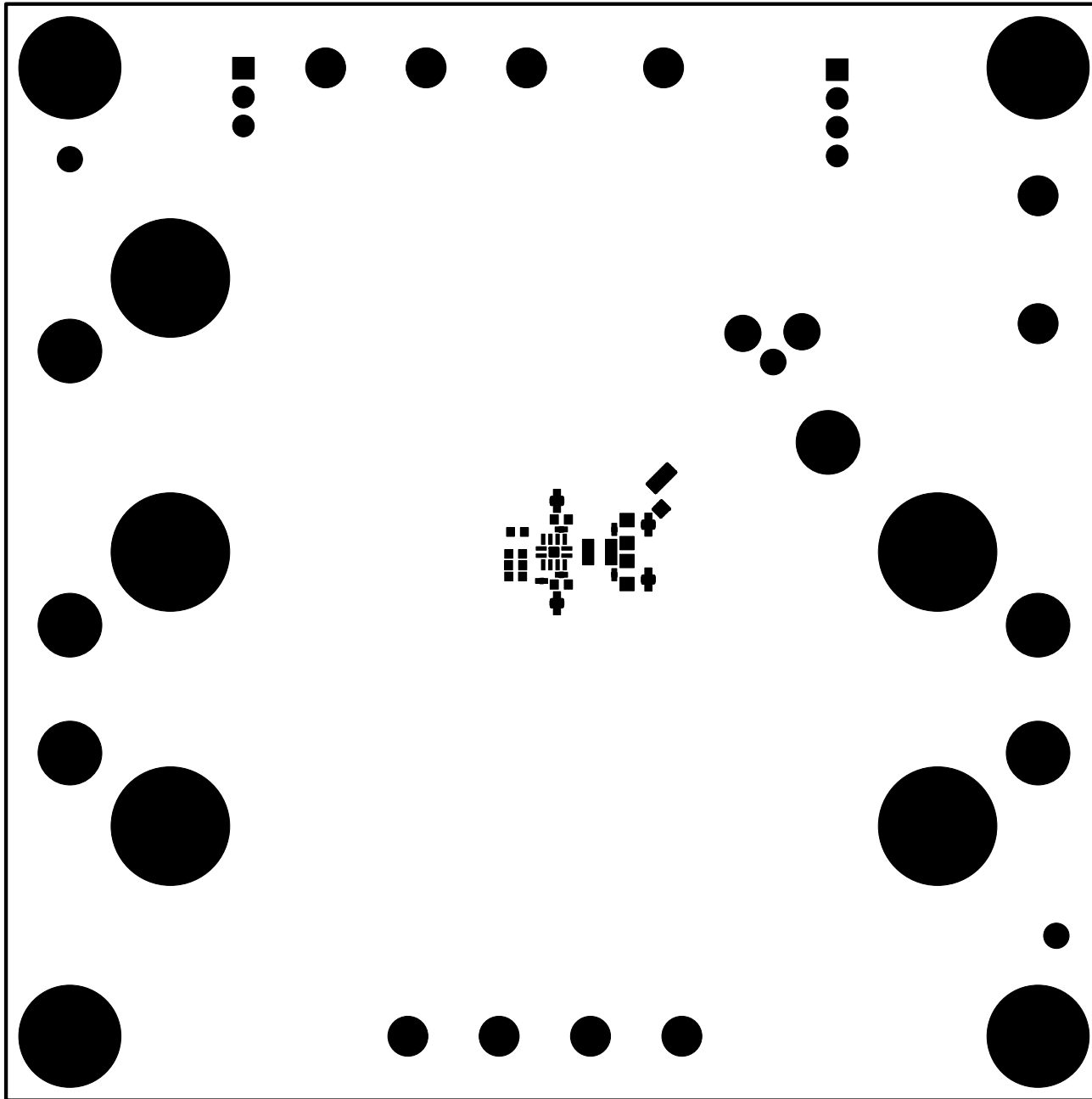
UNLESS OTHERWISE SPECIFIED DIMENSIONS ARE IN INCHES		APPROVALS		ANALOG DEVICES POWER BY LINEAR™ FOR ADI CUSTOMER USE ONLY	
TOLERANCES: 0.XX" = ±0.01" 0.XXX" = ±0.005"		PCB DES	NC	TITLE: FABRICATION DRAWING 3.3V TO 1.8V AT 3A, 4A, 6A AND 6.6MHz LOW EMI BULK REGULATOR IN A 0.47cm² SOLUTION	
INTERPRET DIM AND TOL PER ASME Y14.5M-1994 THIRD ANGLE PROJECTION		APP ENG	KL		
		SCALE = NONE		SIZE	IC NO. LTC3307B, LTC3308B, LTC3309B
				N/A	DC3054A-A/B/C
				REV	03
					SHT 1 OF 1



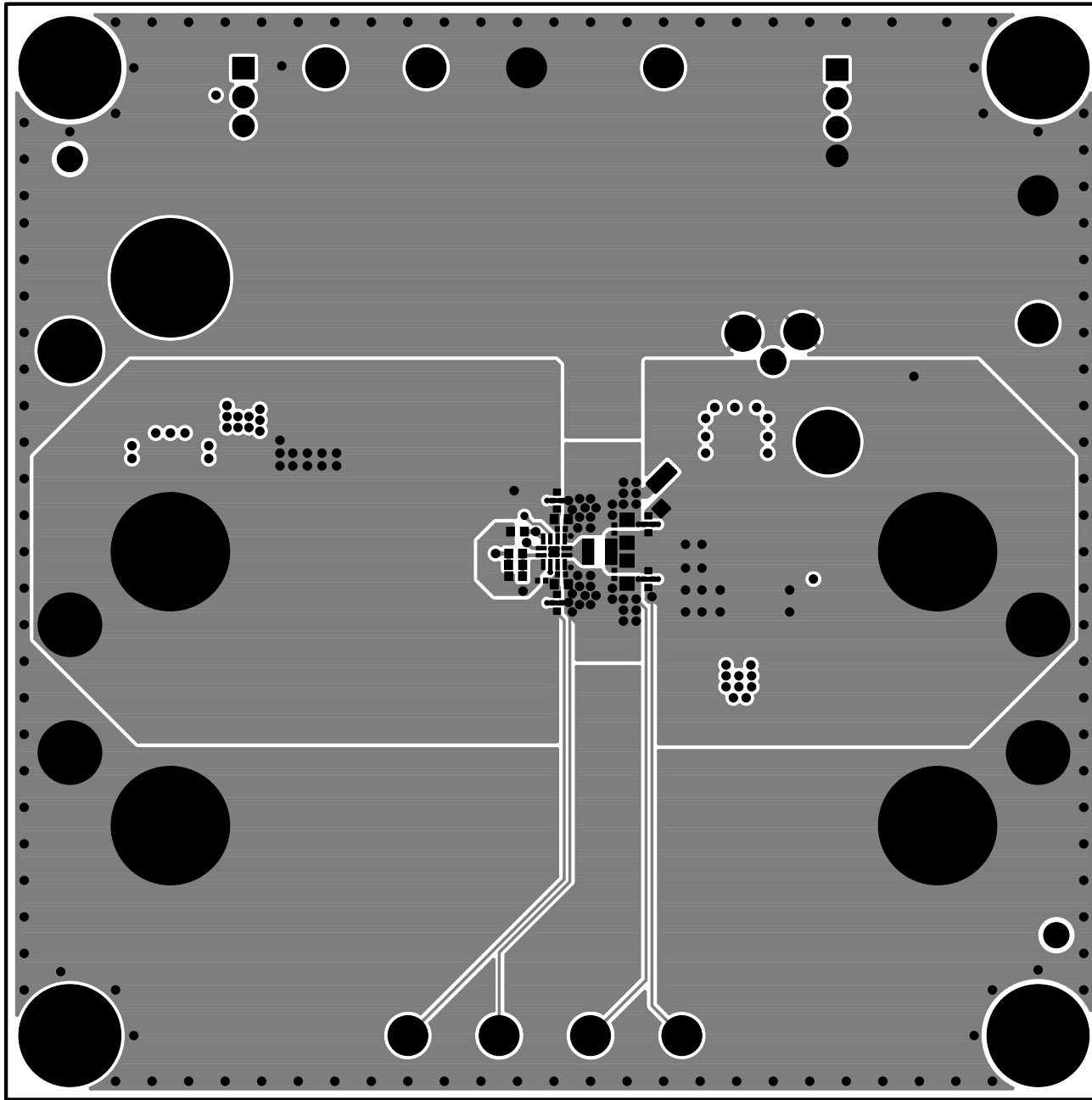
TOP SILKSCREEN
DC3054A-A/B/C_REV03



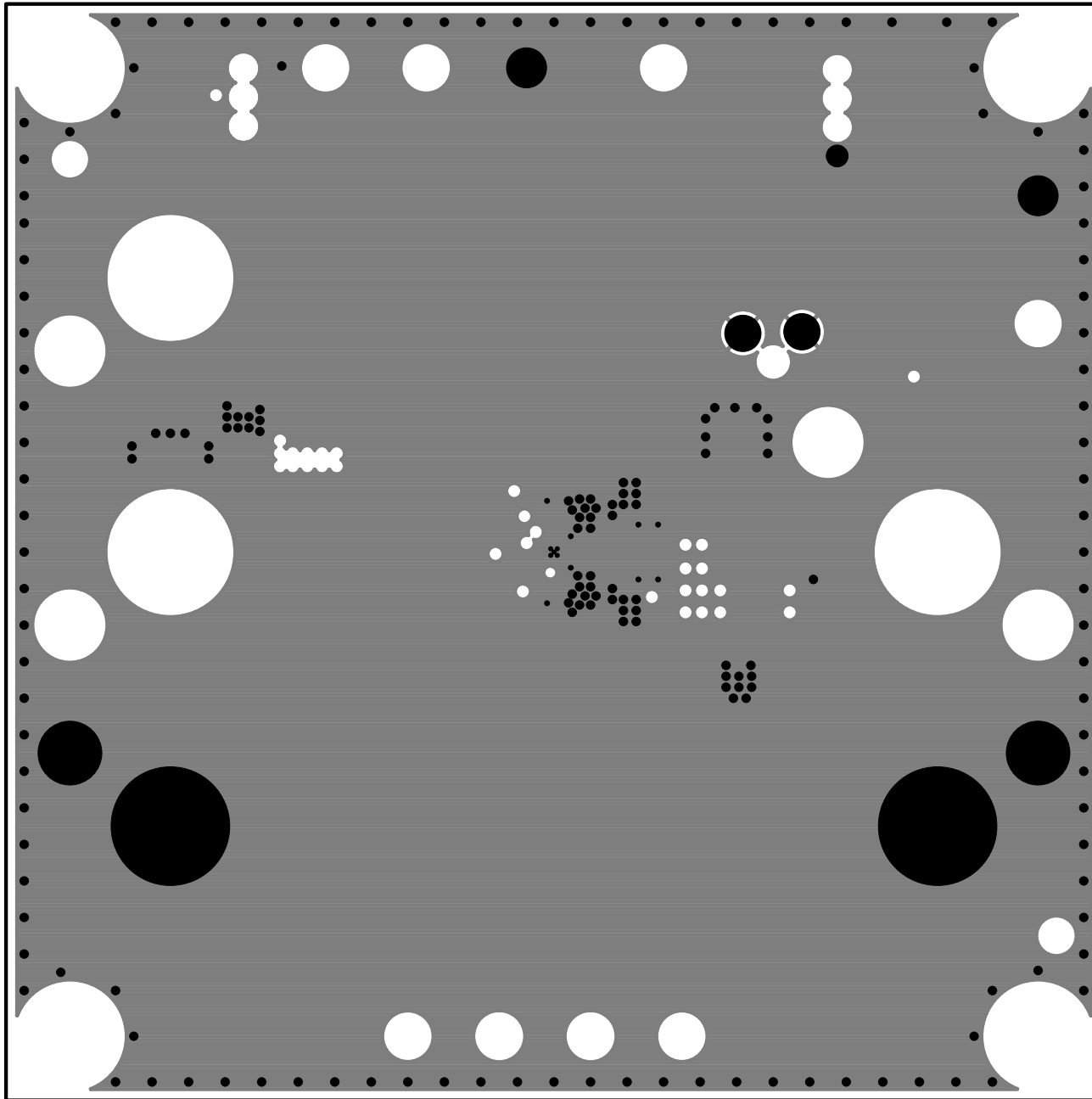
TOP SOLDER PASTE
DC3054A-A/B/C_REV03



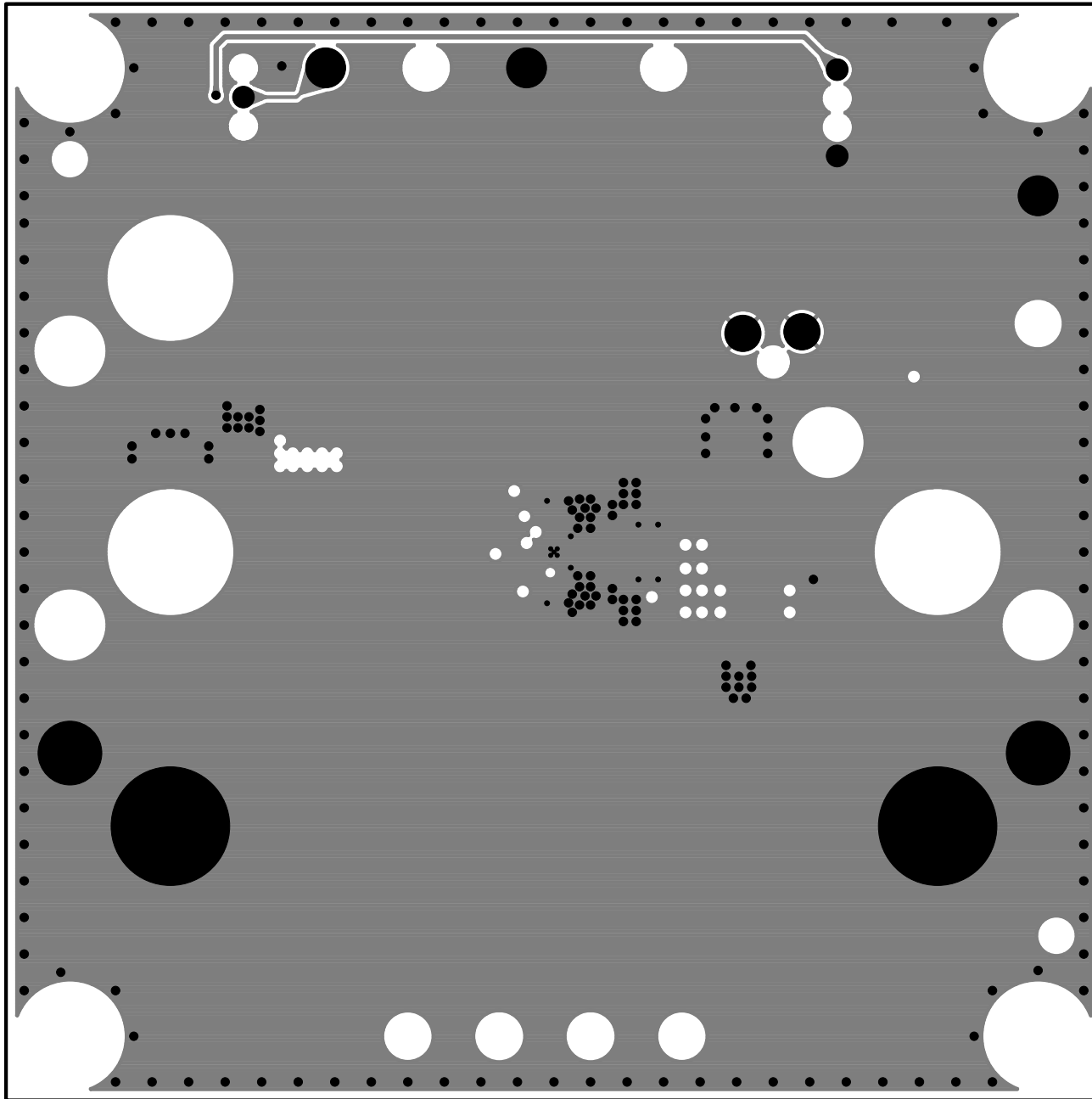
TOP SOLDER MASK
DC3054A-A/B/C_REV03



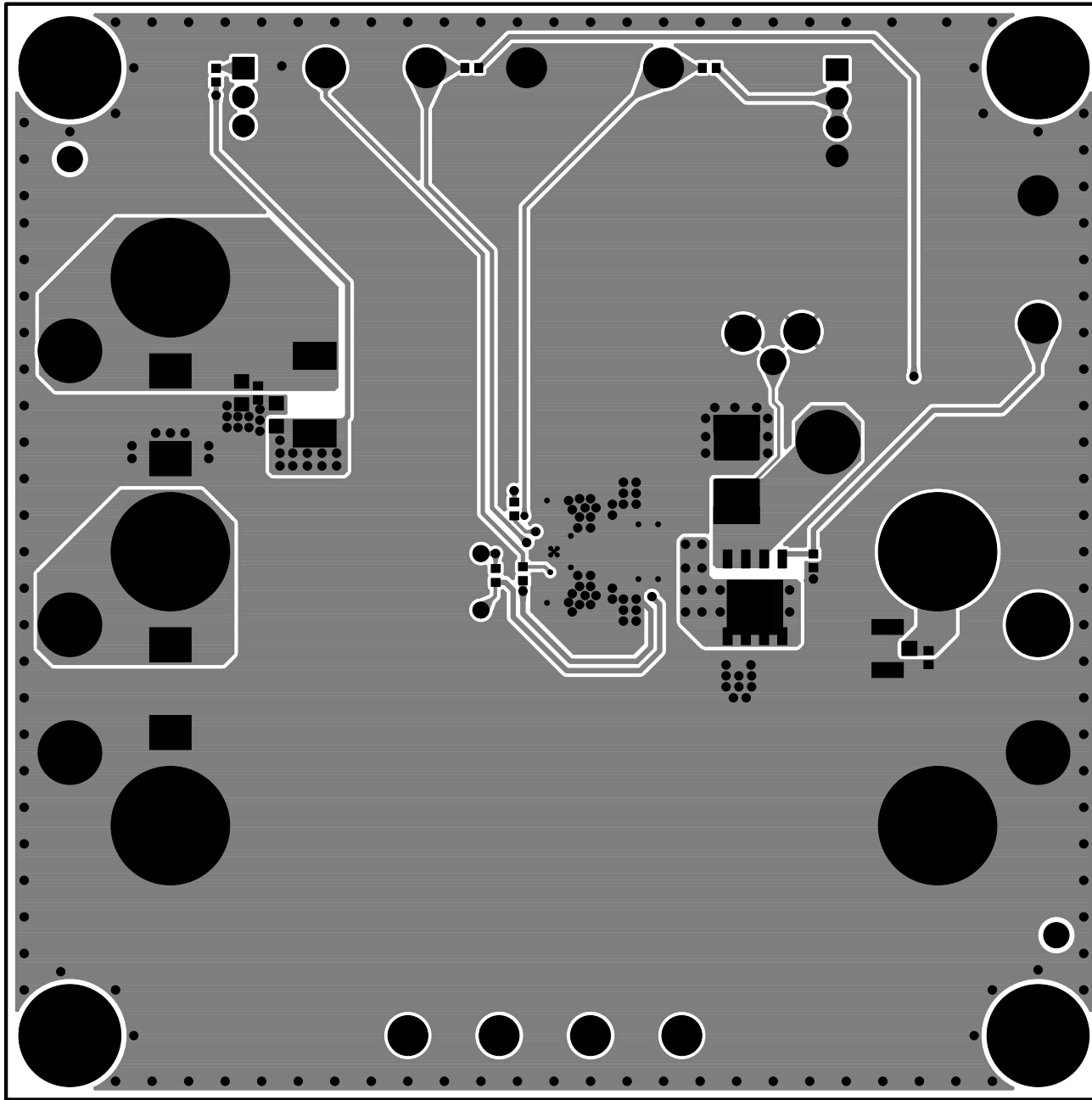
LAYER 1 : TOP LAYER
DC3054A-A/B/C_REV03



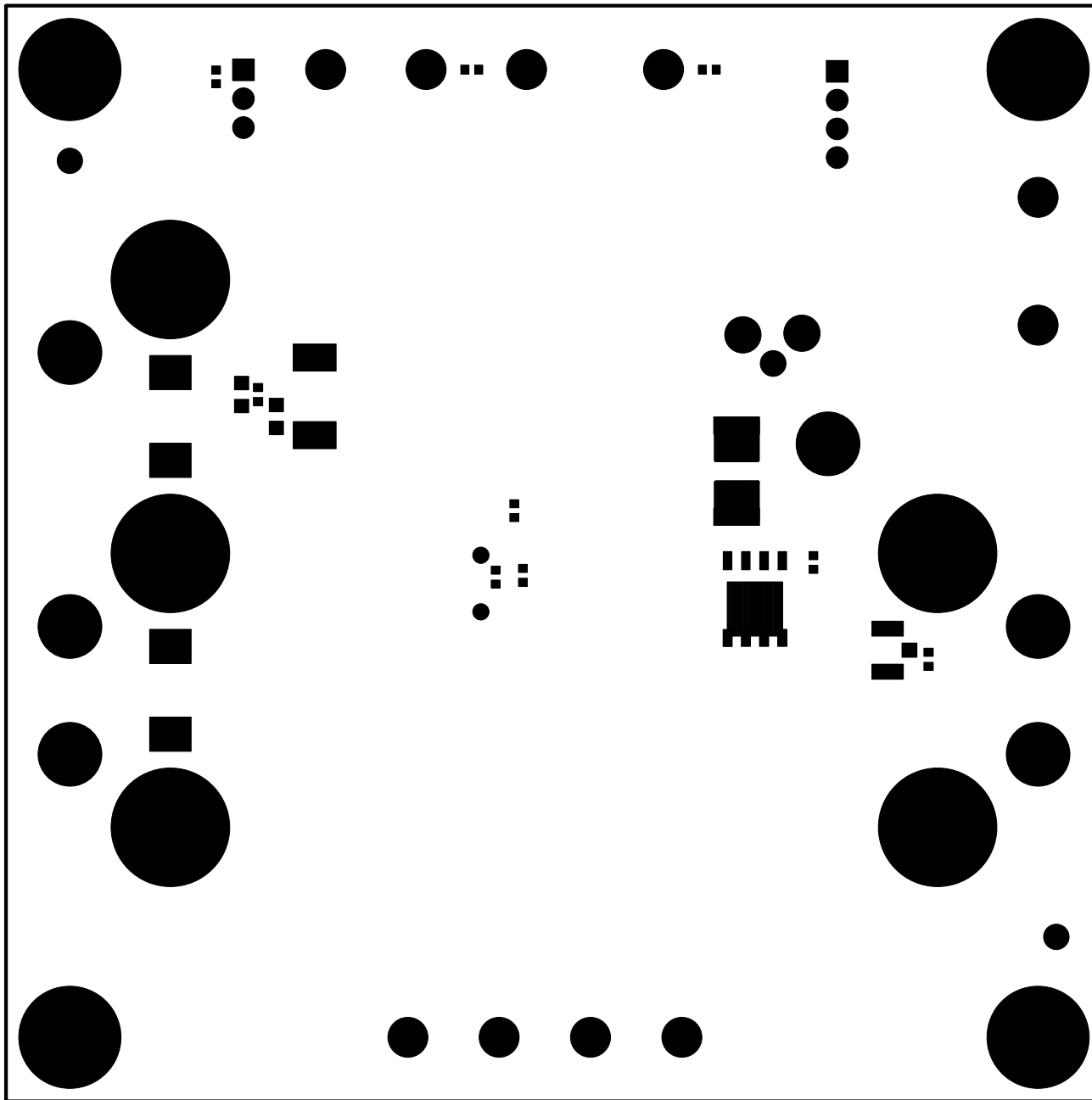
LAYER 2 : - GND PLANE
DC3054A-A/B/C_REV03



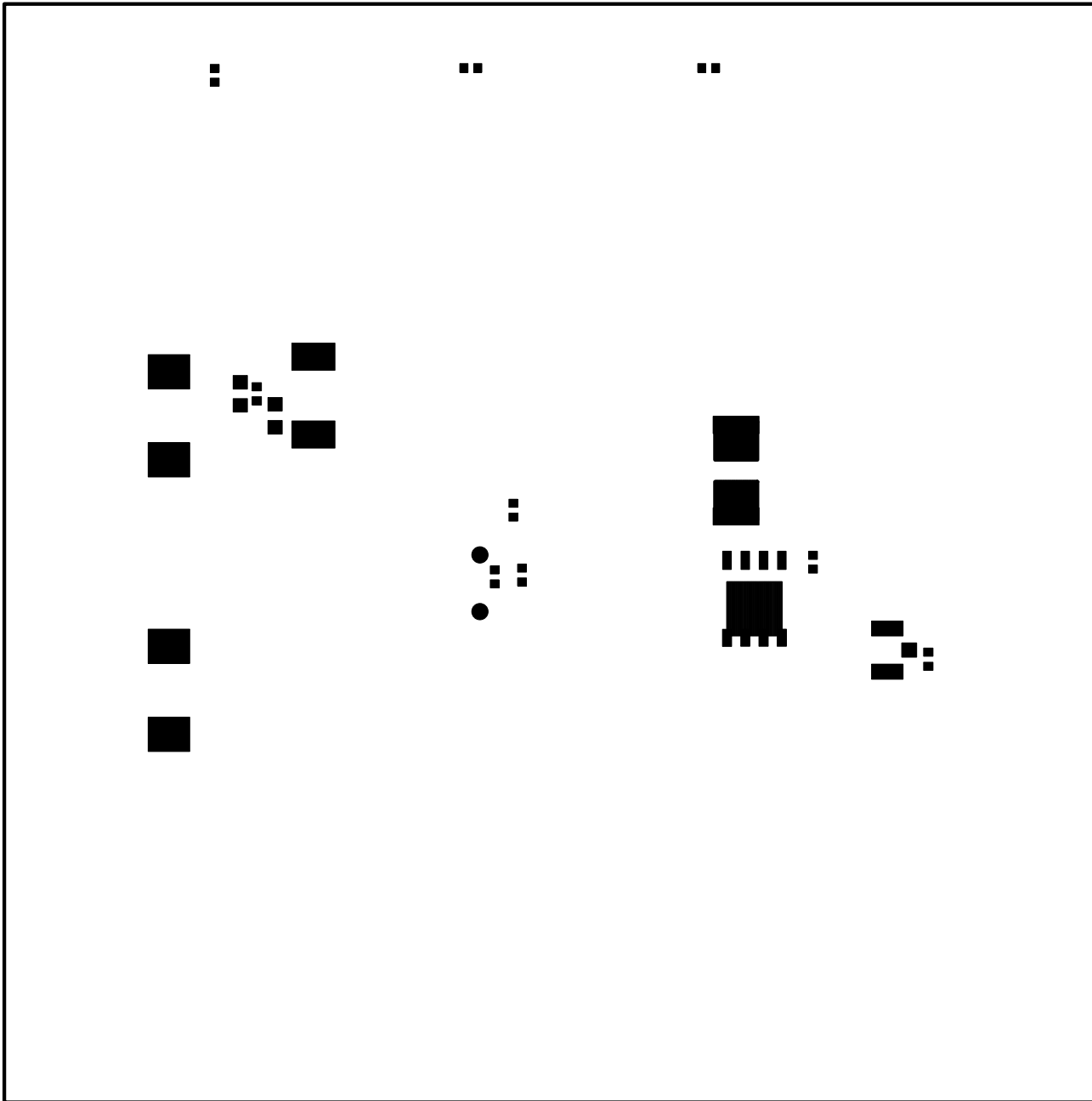
LAYER 3 : - SIG/GND PLANE
DC3054A-A/B/C_REV03



LAYER 4 : BOTTOM LAYER
DC3054A-A/B/C_REV03



BOTTOM SOLDER MASK
DC3054A-A/B/C_REV03



BOTTOM SOLDER PASTE
DC3054A-A/B/C_REV03

BOTTOM SILKSCREEN
DC3054A-A/B/C_REV03

REV 03

FOR ADI CUSTOMER USE ONLY

*ASSEMBLY OPTIONS TABLE

SKU #	U1	IOUT
DC3054A-A	LTC3307B	3A
DC3054A-B	LTC3308B	4A
DC3054A-C	LTC3309B	6A

