

1V/25A (HELIX4 CORE)

from SoC

U16
LTM4678EY

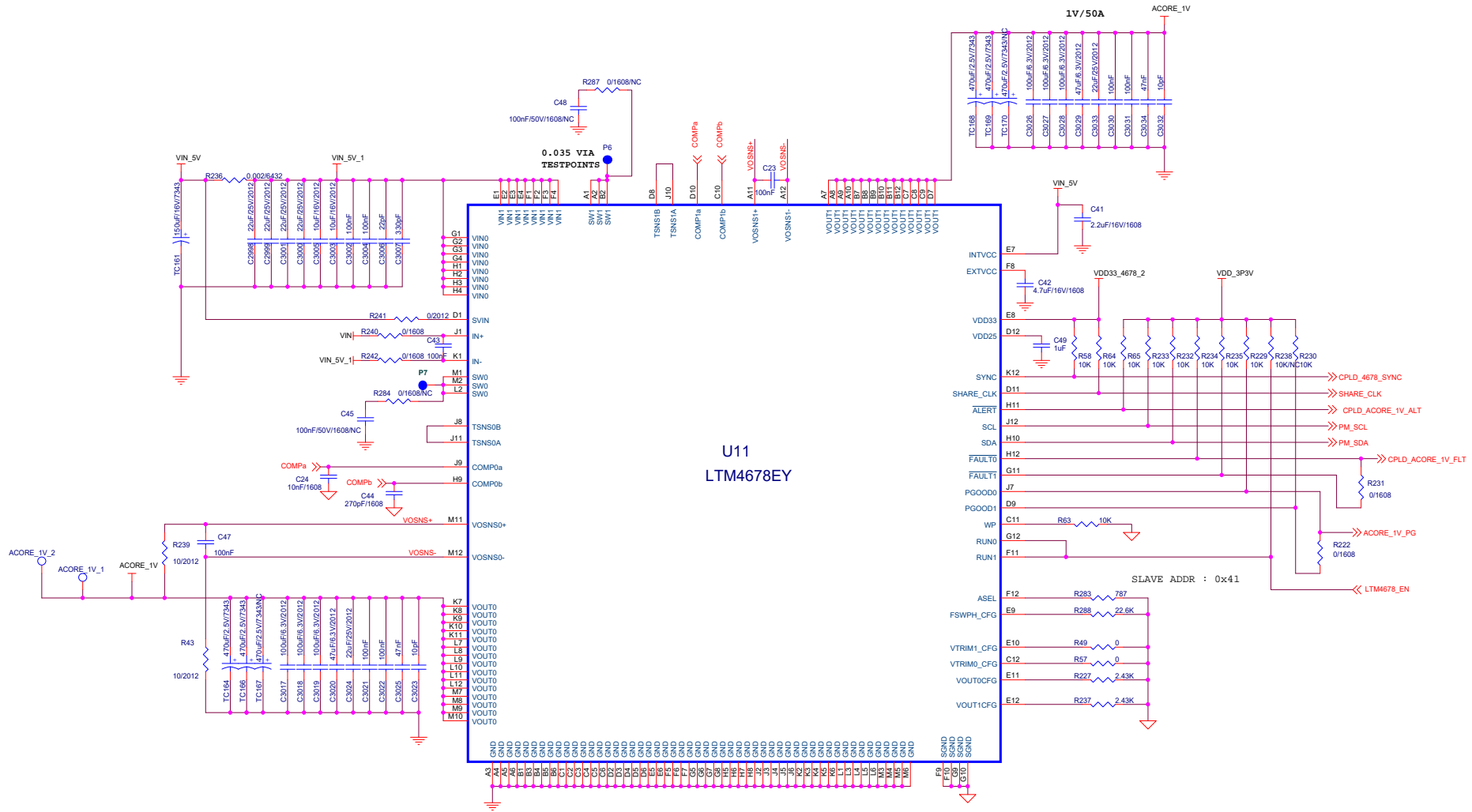
SLAVE ADDR : 0x40

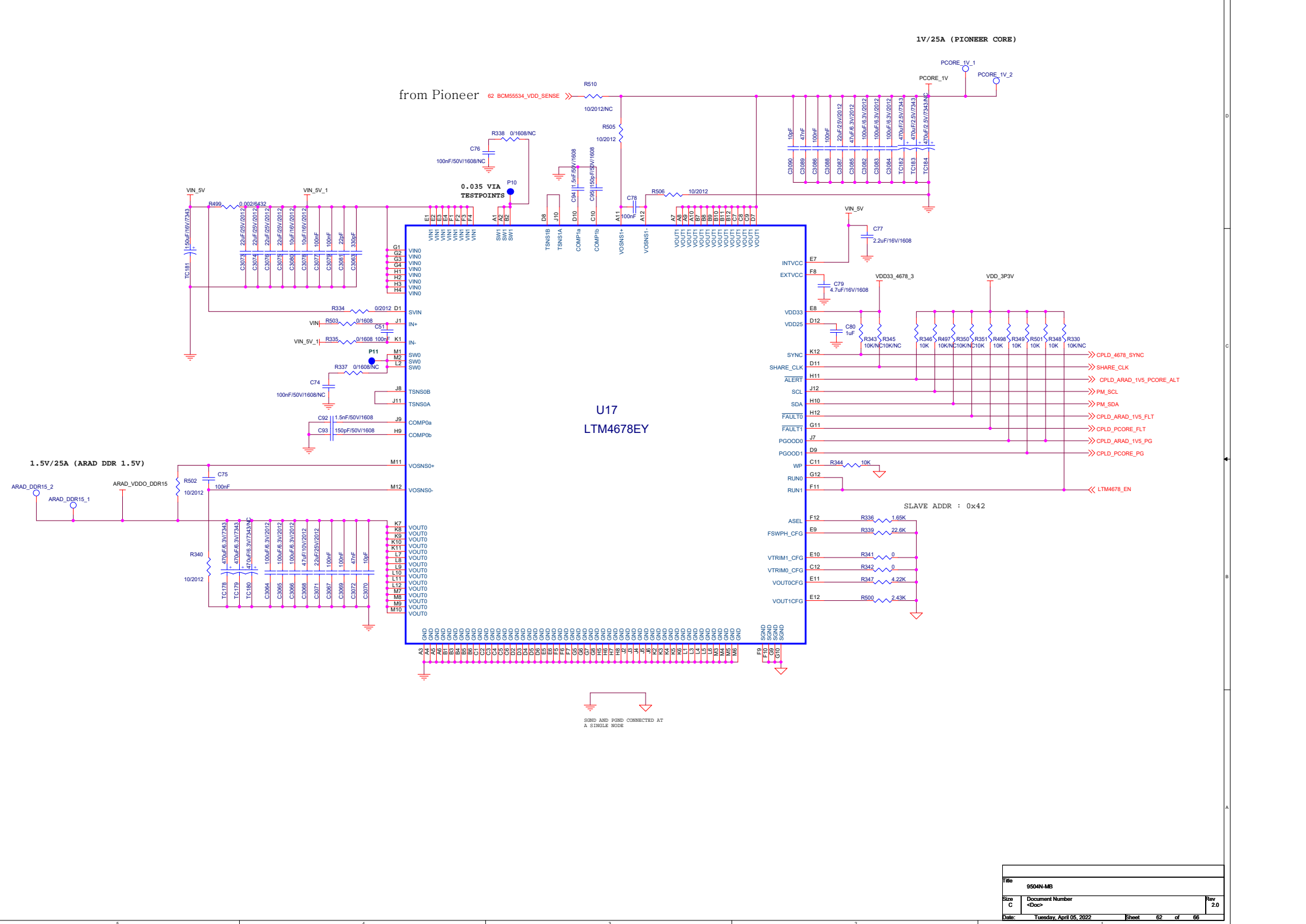
SGND AND PGND CONNECTED AT A SINGLE NODE

Title		
9504N-MB		
Size	Document Number	Rev
C	<Doc>	2.0
Date:	Tuesday, April 05, 2022	Sheet 60 of 66

U11
LTM4678EY

SIGNAL AND FUND CONNECTED AT A SINGLE NODE





from Pioneer 62 BCM55534_VDD_SENSE

1V/25A (PIONEER CORE)

0.035 VIA TESTPOINTS

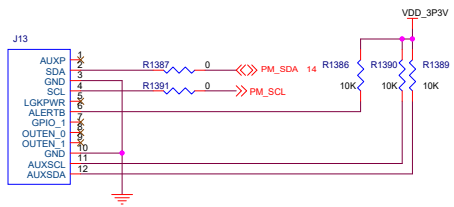
U17
LTM4678EY

1.5V/25A (ARAD DDR 1.5V)

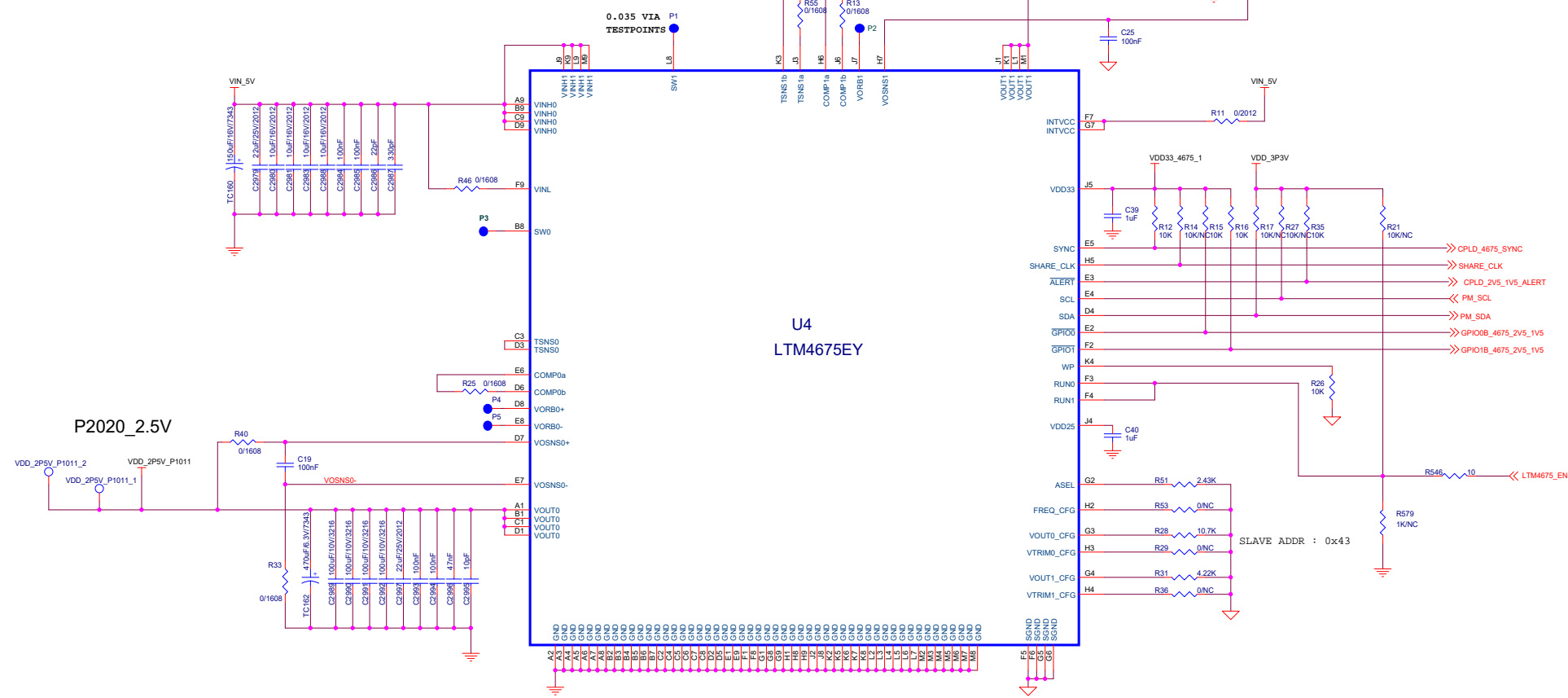
SLAVE ADDR : 0x42

SGND AND PGND CONNECTED AT A SINGLE NODE

Title		
9504N-MB		
Size	Document Number	Rev
C	<Doc>	2.0
Date:	Tuesday, April 05, 2022	Sheet 62 of 66



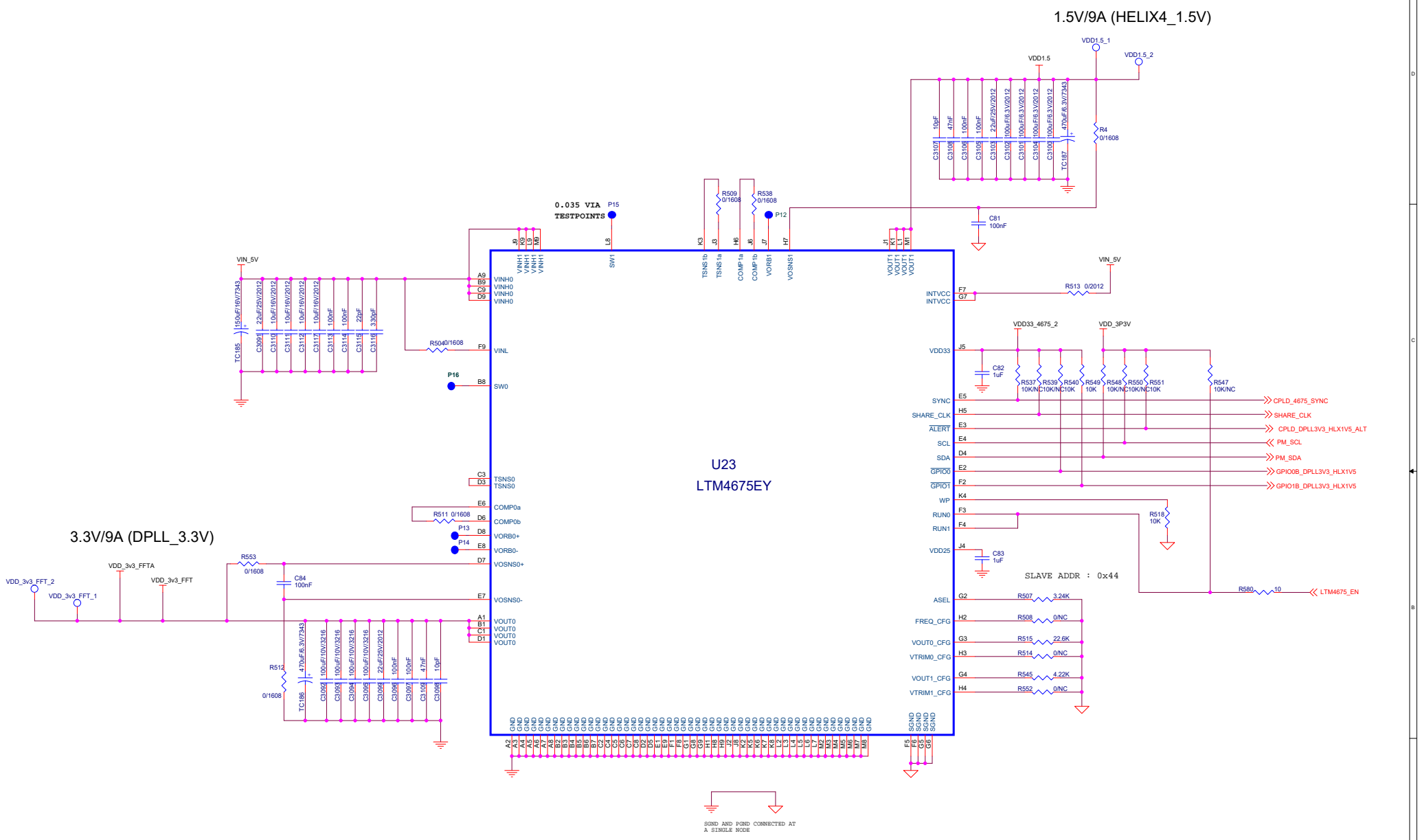
P2020_1.5V



U4
LTM4675EY

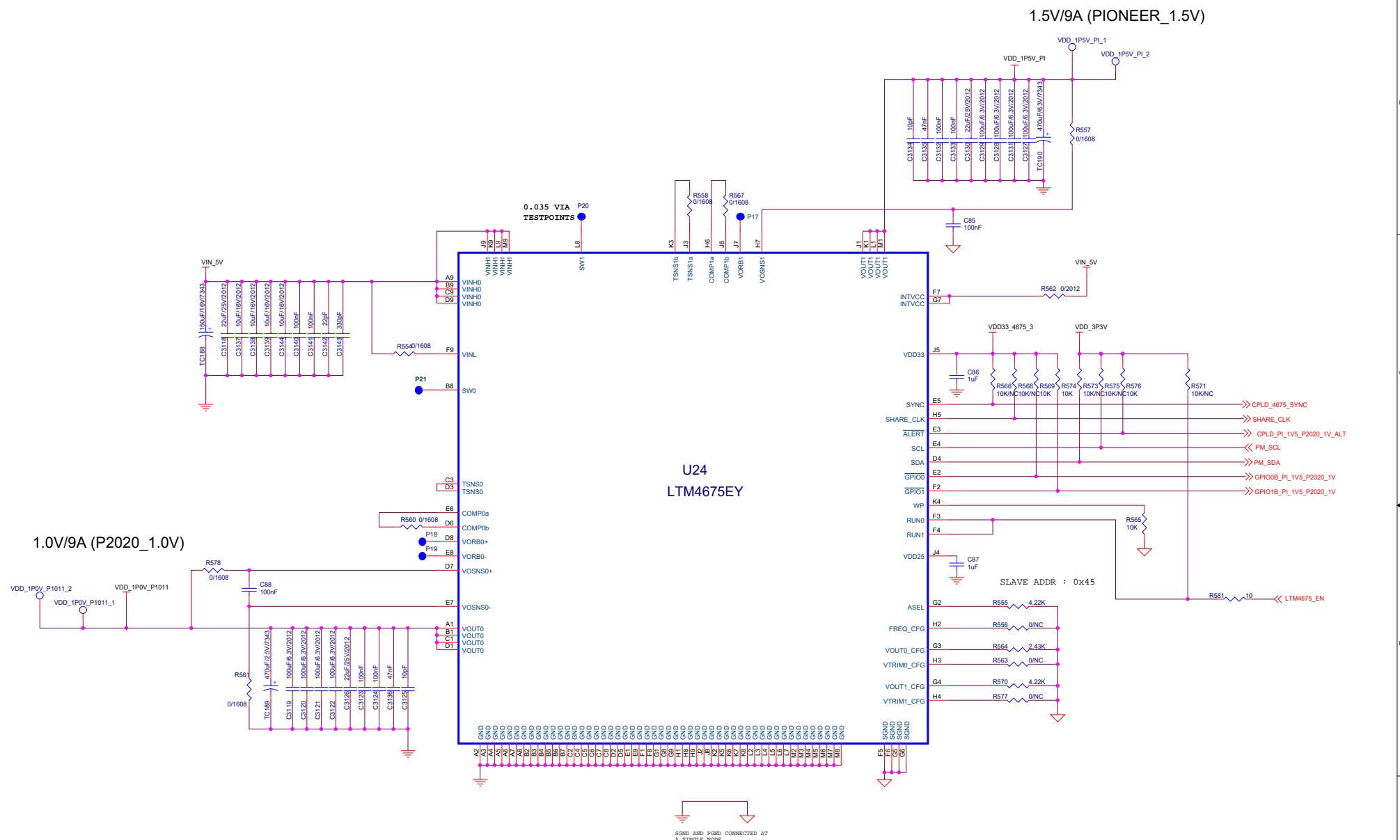
SEND AND POND CONNECTED AT A SINGLE NODE

Title		9504N-MB	
Size	Document Number	Rev 2.0	
C	<Doc>		
Date:	Monday, April 04, 2022	Sheet	63 of 66



SEND AND POND CONNECTED AT A SINGLE NODE

Title		9504N-MB
Size	Document Number	Rev
C	<Doc>	2.0
Date:	Monday, April 04, 2022	Sheet 64 of 66



SGND AND PGND CONNECTED AT A SINGLE NODE

Title		9504N-MB	
Size	Document Number	Rev	2.0
C	<Doc>		
Date:	Monday, April 04, 2022	Sheet	65 of 66