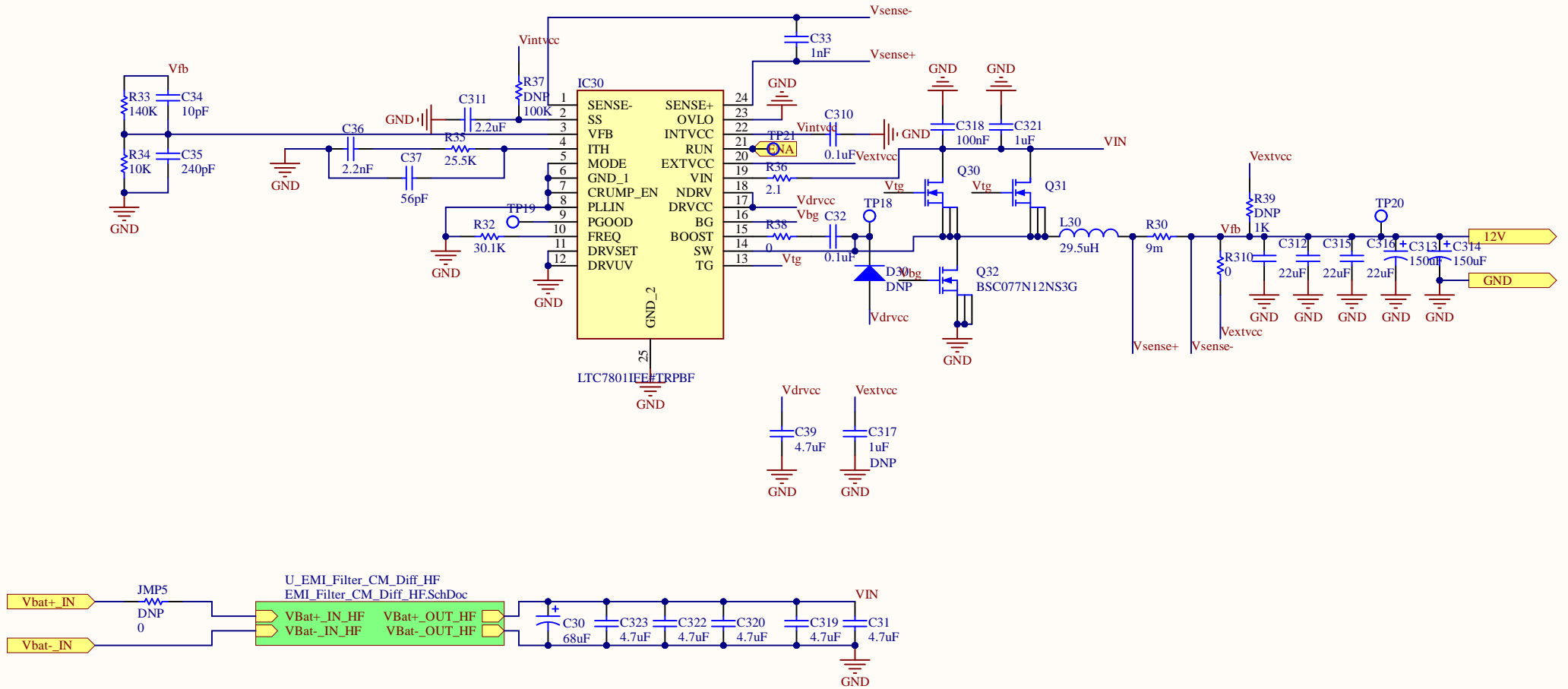


Battery DC to 12VDC-6A



Title		
Size	Number	Revision
A4		
Date:	2/25/2022	Sheet of
File:	C:\Users\...\DCDC_12V6A_AD.SchDoc	Drawn By: