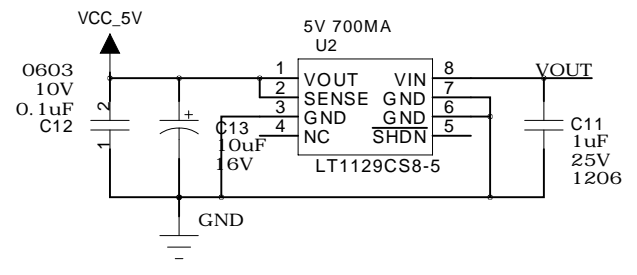
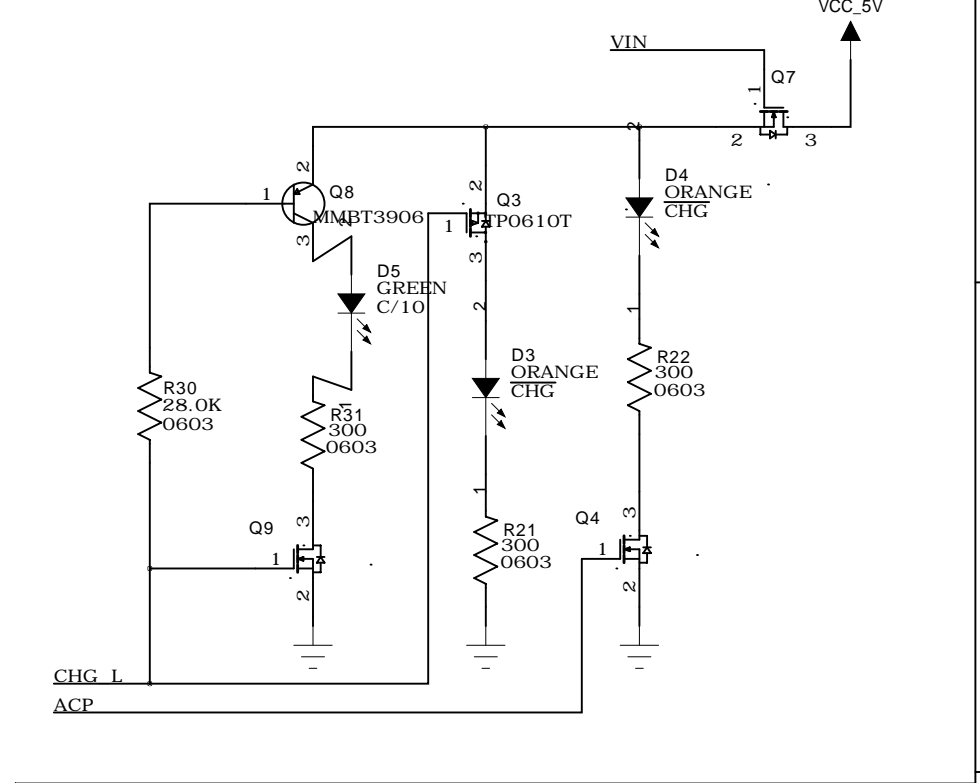
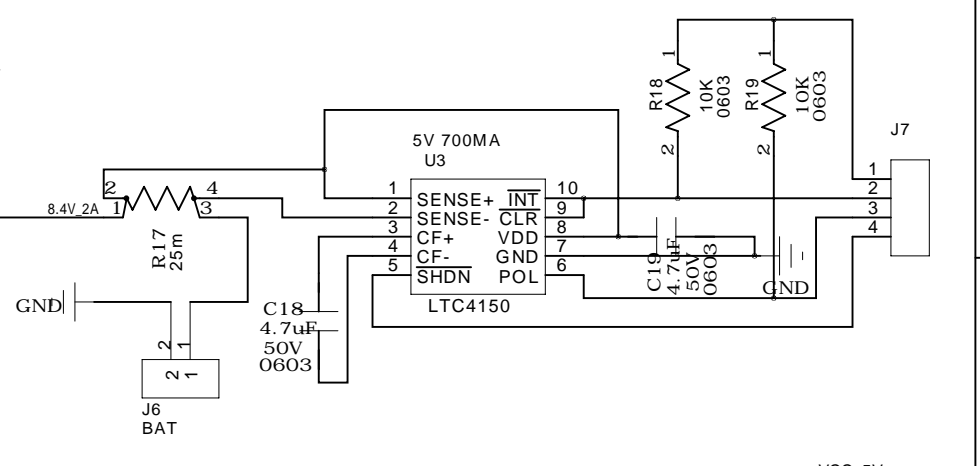
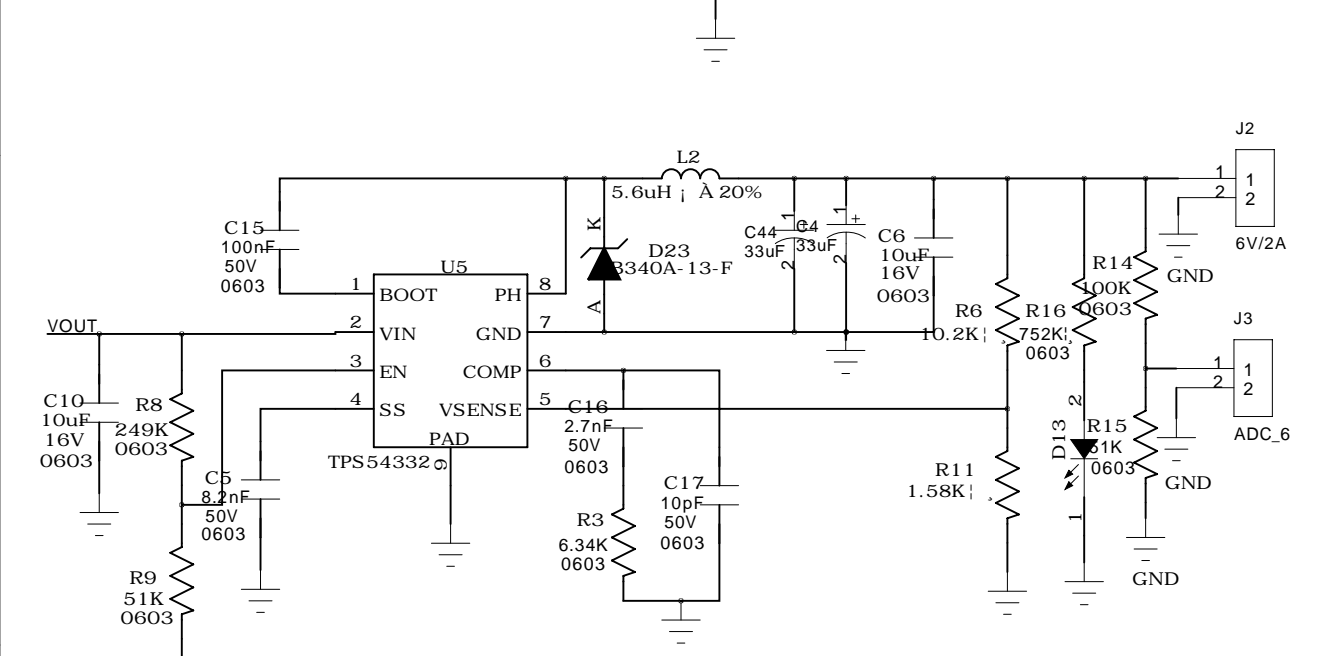
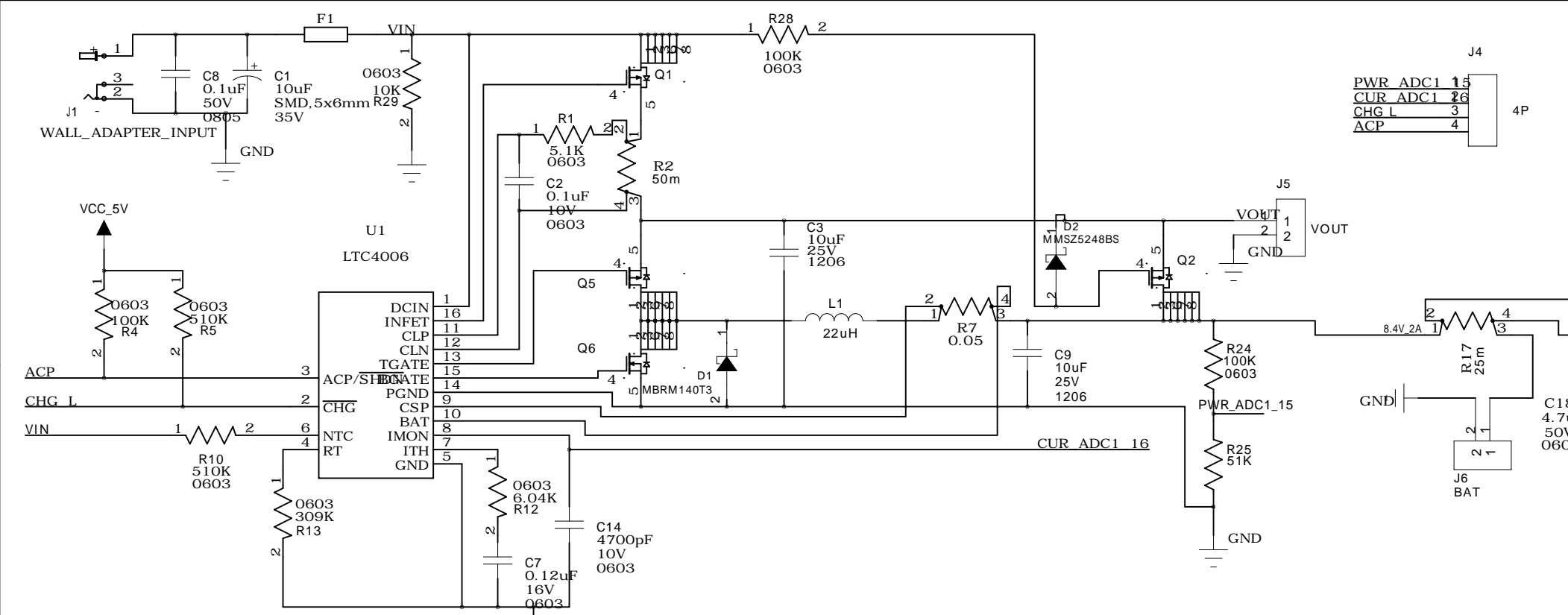


REVISION RECORD			
LTR	ECO NO:	APPROVED:	DATE:



COMPANY: < Company Name >

TITLE: < Title >

DRAWN: < Drawn By >	DATED: < Drawn Date >
CHECKED: < Checked By >	DATED: < Checked Date >
QUALITY CONTROL: < QC By >	DATED: < QC Date >
RELEASED: < Released By >	DATED: < Release Date >

CODE: < Code >	SIZE: B	DRAWING NO: < Drawing Number >	REV: < Revision >
SCALE: < Scale >		SHEET: 1 OF 1	

D

C

B

A

D

C

B

A