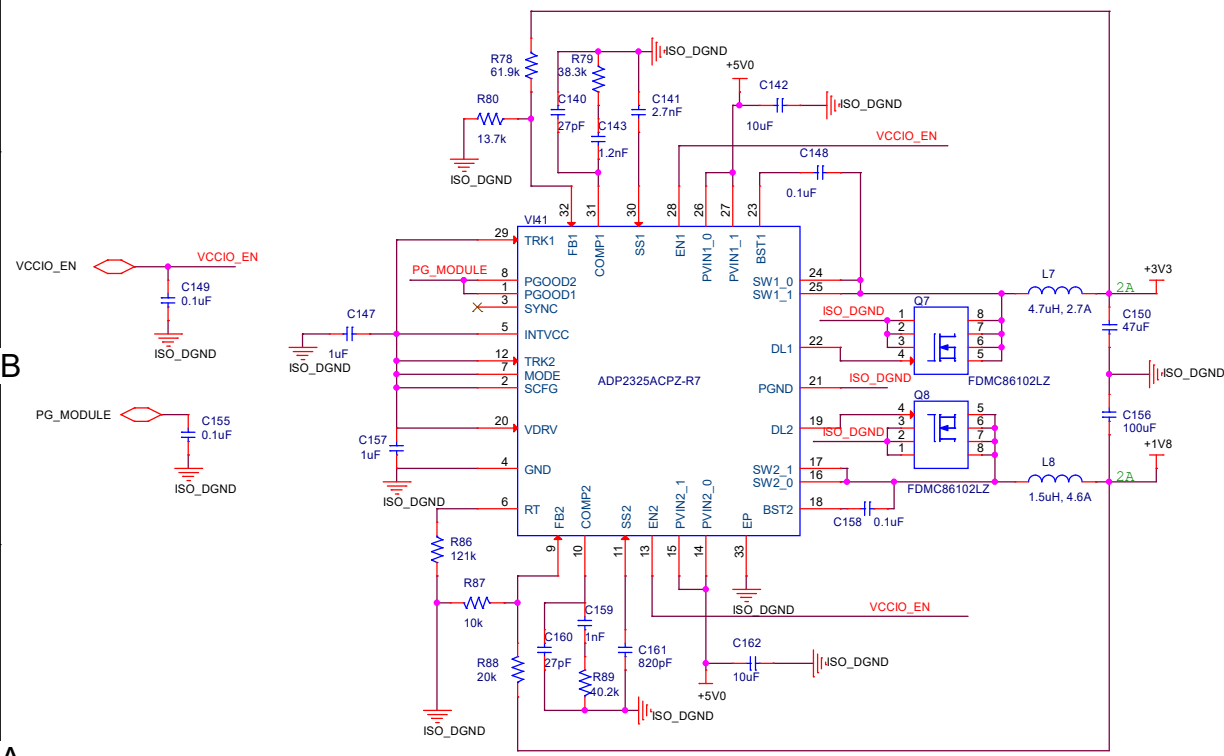
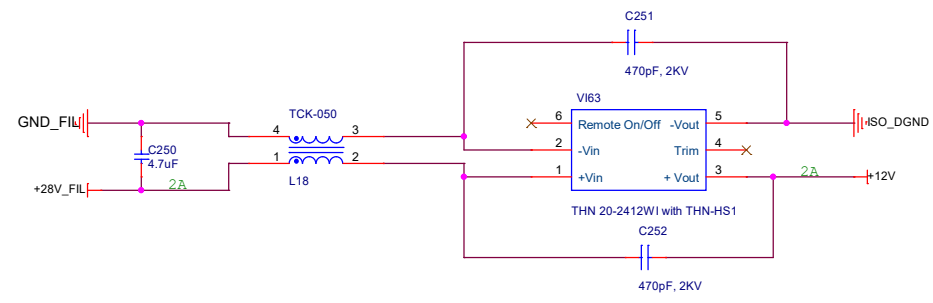
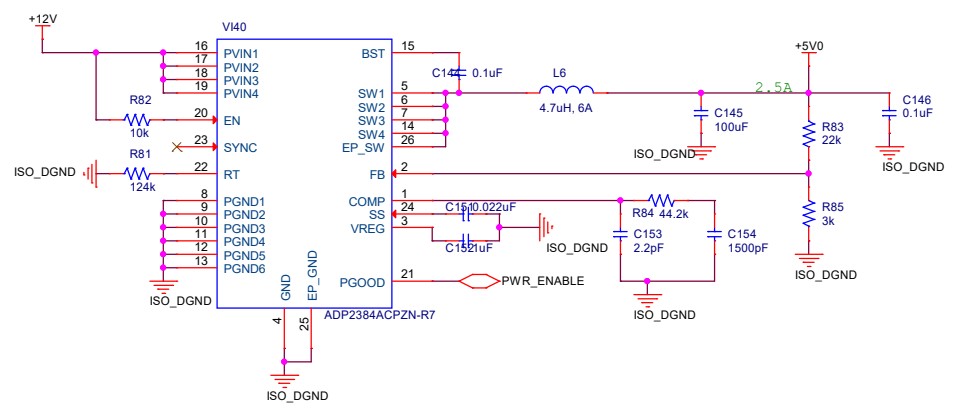


Gnd plane separation to be taken care on PCB as per recommendation in datsheet.



Layout Note: Refer to layout section in ADP232 datasheet.

3.3V, 1.8V @ 3A LDO



LARSEN & TOUBRO LIMITED HED, MUMBAI					
DATE	11.02.2019	INITIAL	SIGN	DEPT : 5152	
PREP BY:	PSP	CHK BY:	CV	DD202017-6-40	R0
APP BY:	NPP			SHEET 10 OF 17	REV