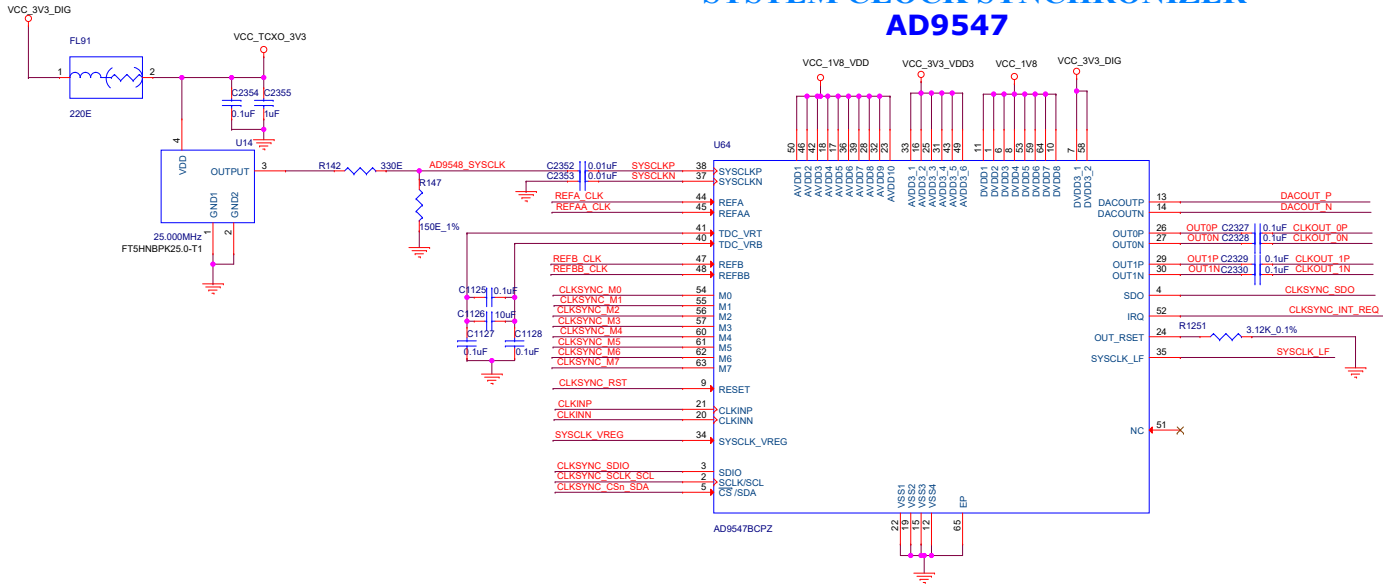


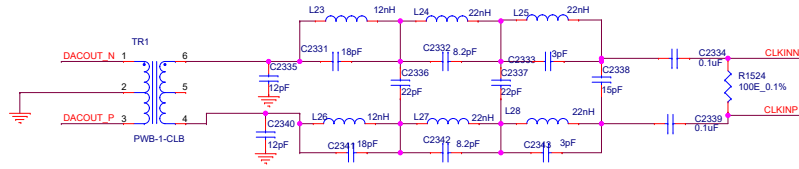
SYSTEM CLOCK SYNCHRONIZER AD9547



AD9547 Signals

- CLKOUT_0P >> CLKOUT_0P [13]
- CLKOUT_0N >> CLKOUT_0N [13]
- CLKOUT_1P >> CLKOUT_1P [13]
- CLKOUT_1N >> CLKOUT_1N [13]
- REFA_CLK >> REFAA_CLK [11]
- REFB_CLK >> REFAA_CLK [11]
- REFB_CLK >> REFB_CLK [11]
- REFB_CLK >> REFB_CLK [11]
- CLKSYNC_INT_REQ >> CLKSYNC_INT_REQ [13]
- CLKSYNC_RST >> CLKSYNC_RST [13]
- CLKSYNC_M0 >> CLKSYNC_M0 [11]
- CLKSYNC_M1 >> CLKSYNC_M1 [11]
- CLKSYNC_M2 >> CLKSYNC_M2 [11]
- CLKSYNC_M3 >> CLKSYNC_M3 [11]
- CLKSYNC_M4 >> CLKSYNC_M4 [11]
- CLKSYNC_M5 >> CLKSYNC_M5 [11]
- CLKSYNC_M6 >> CLKSYNC_M6 [11]
- CLKSYNC_M7 >> CLKSYNC_M7 [11]
- CLKSYNC_SDIO >> CLKSYNC_SDIO [13]
- CLKSYNC_SCLK_SCL >> CLKSYNC_SCLK_SCL [13]
- CLKSYNC_CSn_SDA >> CLKSYNC_CSn_SDA [13]
- CLKSYNC_SDO >> CLKSYNC_SDO [13]

FILTER



DECAPS

