

6

5

4

3

2

1

D

D

C

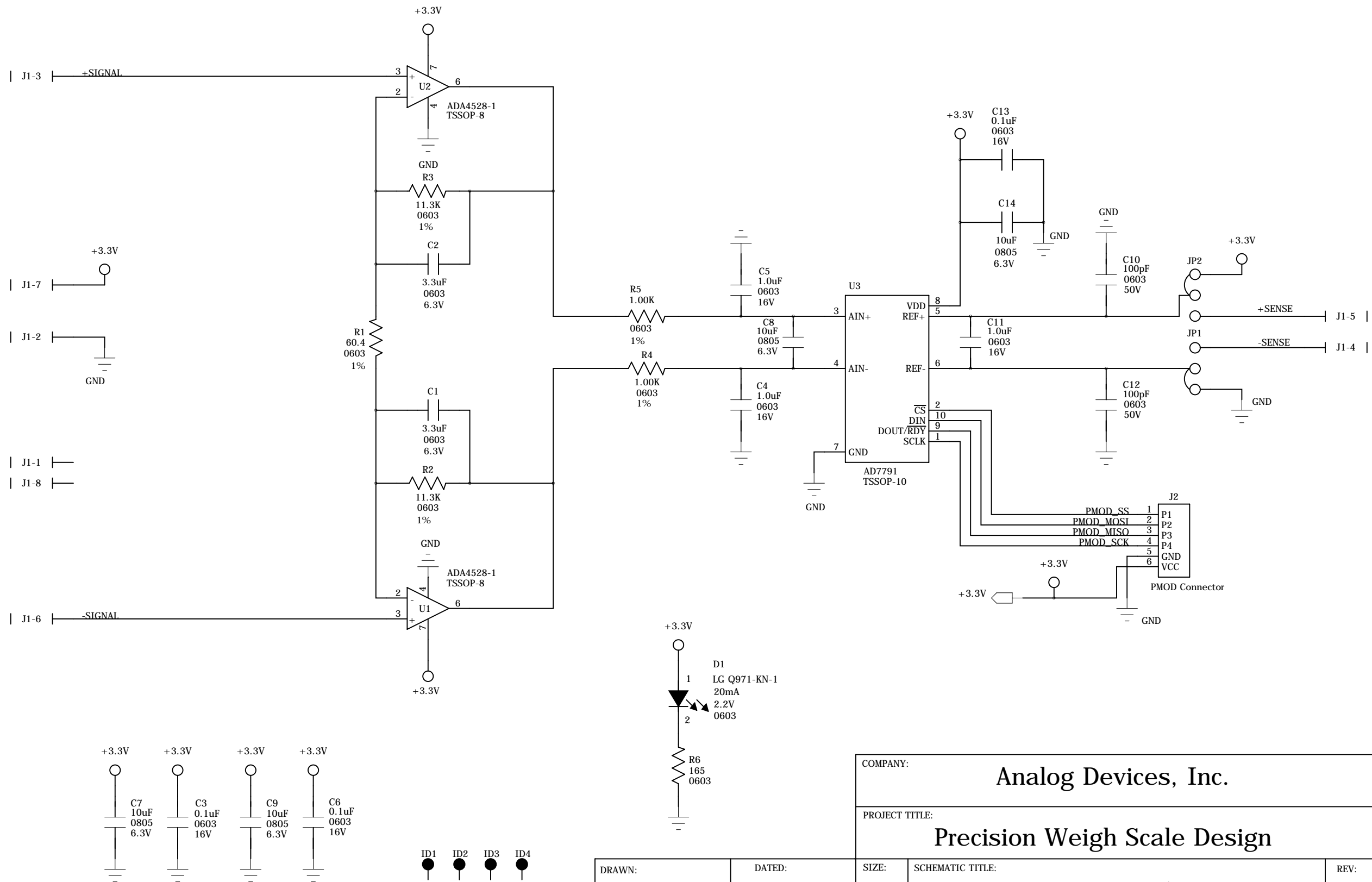
C

B

B

A

A



COMPANY: **Analog Devices, Inc.**

PROJECT TITLE: **Precision Weigh Scale Design**

DRAWN: **J. Fitzgerald**

DATED: **5/29/2013**

SIZE: **B**

SCHEMATIC TITLE: **CN0216/PMOD**

REV: **0**

RELEASED:

DATED:

SCALE: **1:1**

SHEET: **1** OF **1**

