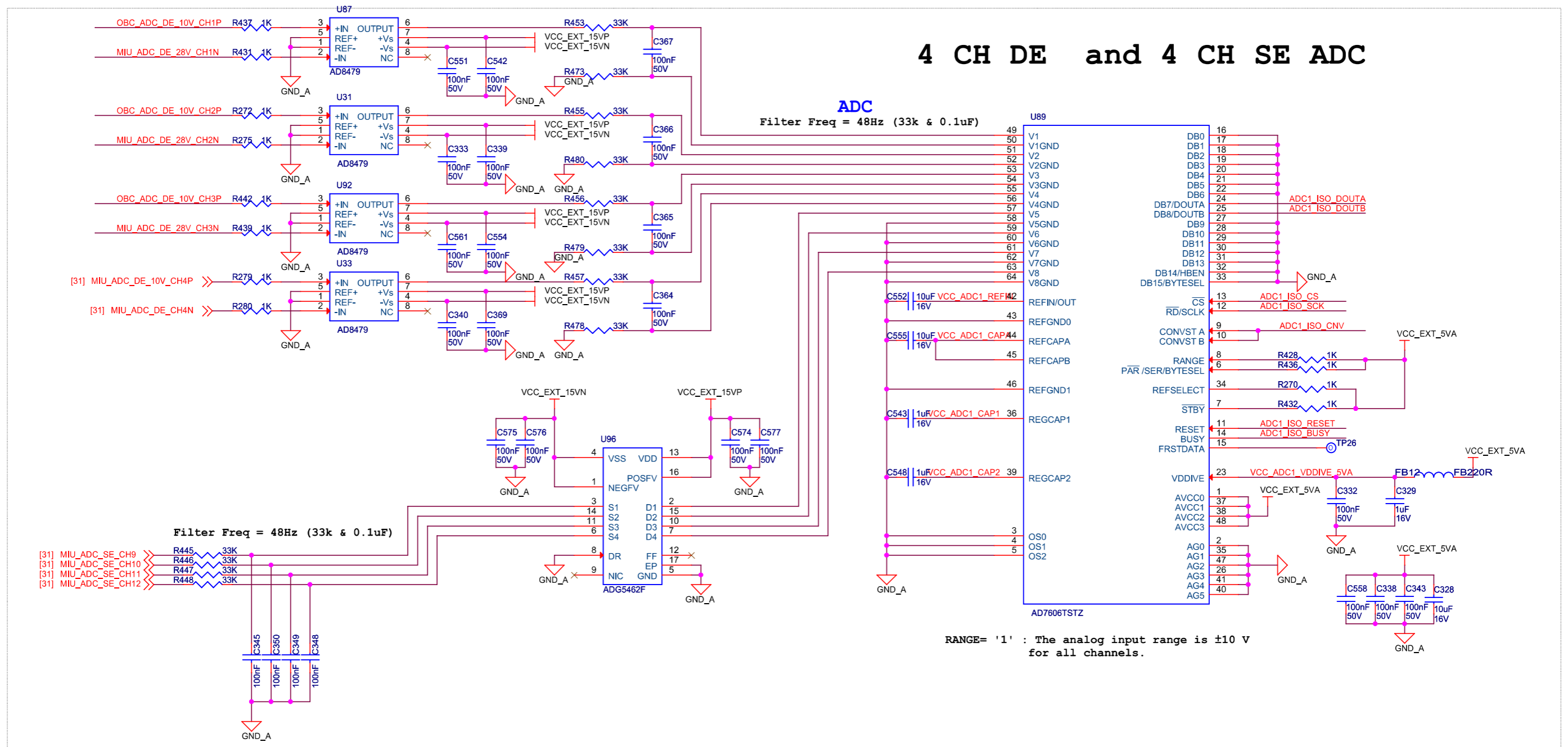
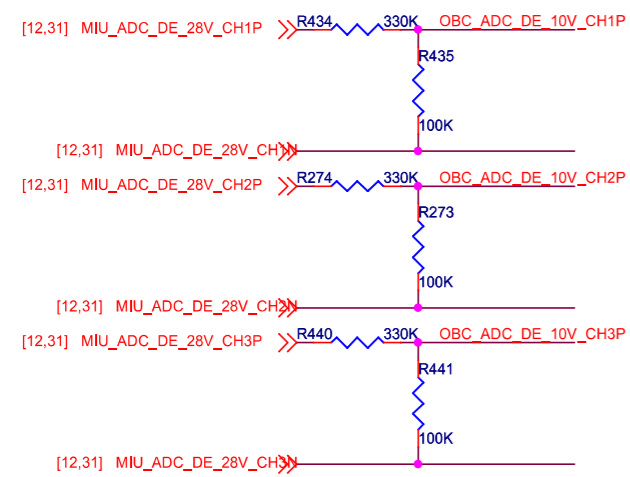


4 CH DE and 4 CH SE ADC



RANGE= '1' : The analog input range is ± 10 V for all channels.

Voltage Divider For 28V Input



SPI Isolator

