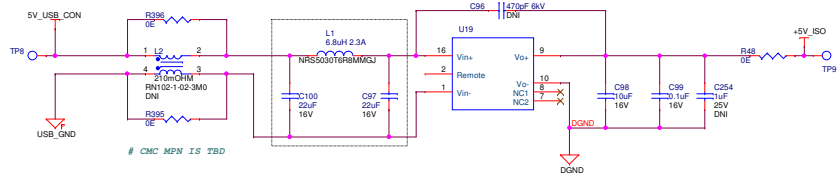
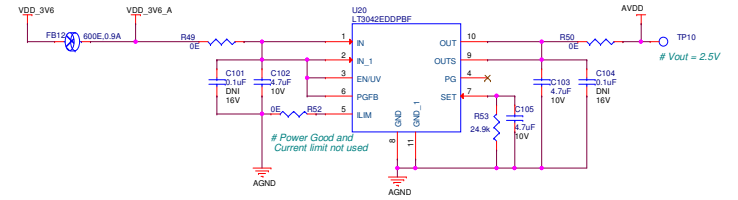


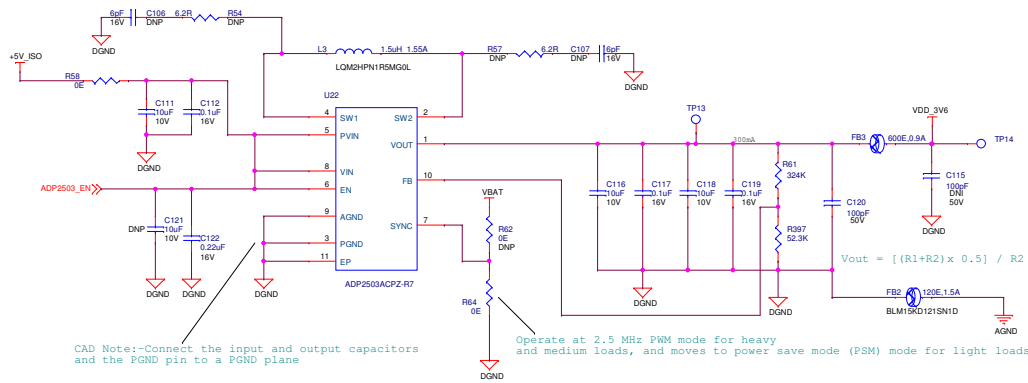
5V DC-DC ISOLATOR



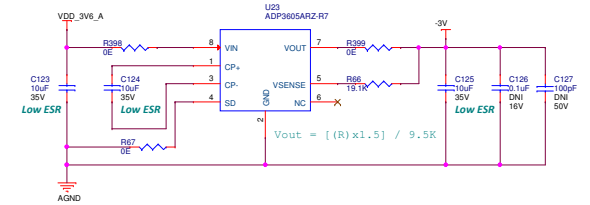
2V5 LDO for AVDD



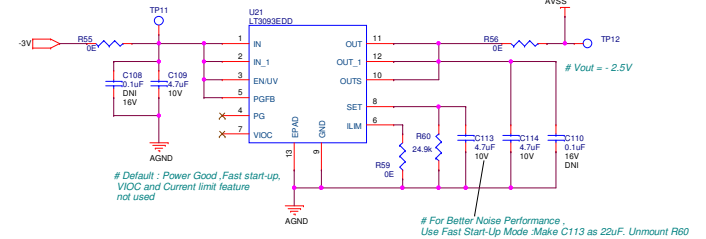
3V6 BUCK BOOST CONVERTER



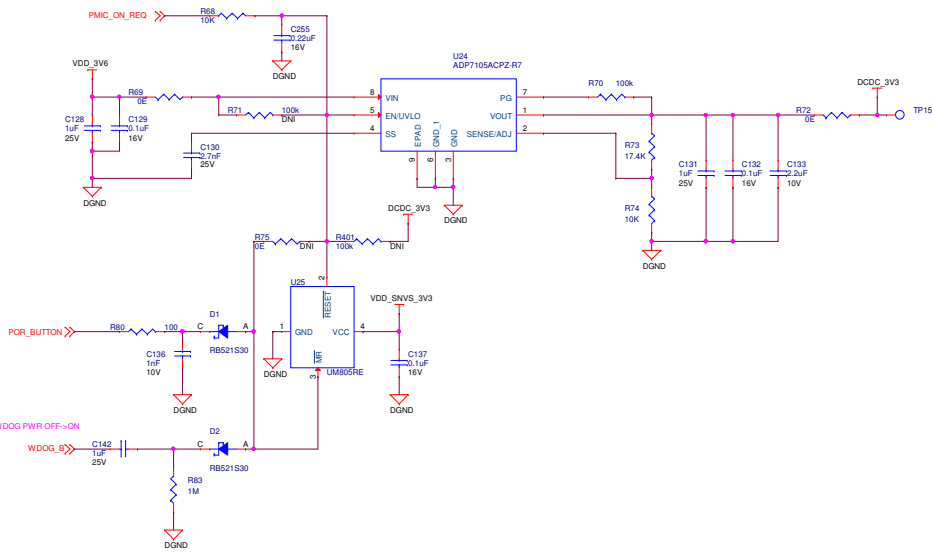
-3V CHARGE PUMP for AVSS



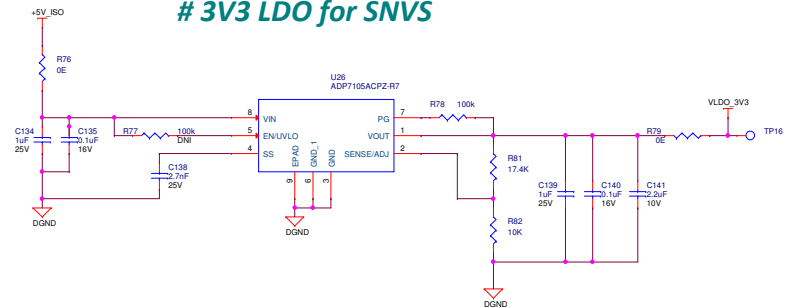
-2V5 LDO for AVSS



3V3 LDO FOR VDDHIGH / NVCC_XXX



3V3 LDO for SNVS



File	Power Management	Rev	
Sheet	Document Number	Rev	0.1
Date	Tuesday, March 08, 2022	Sheet	3 of 11