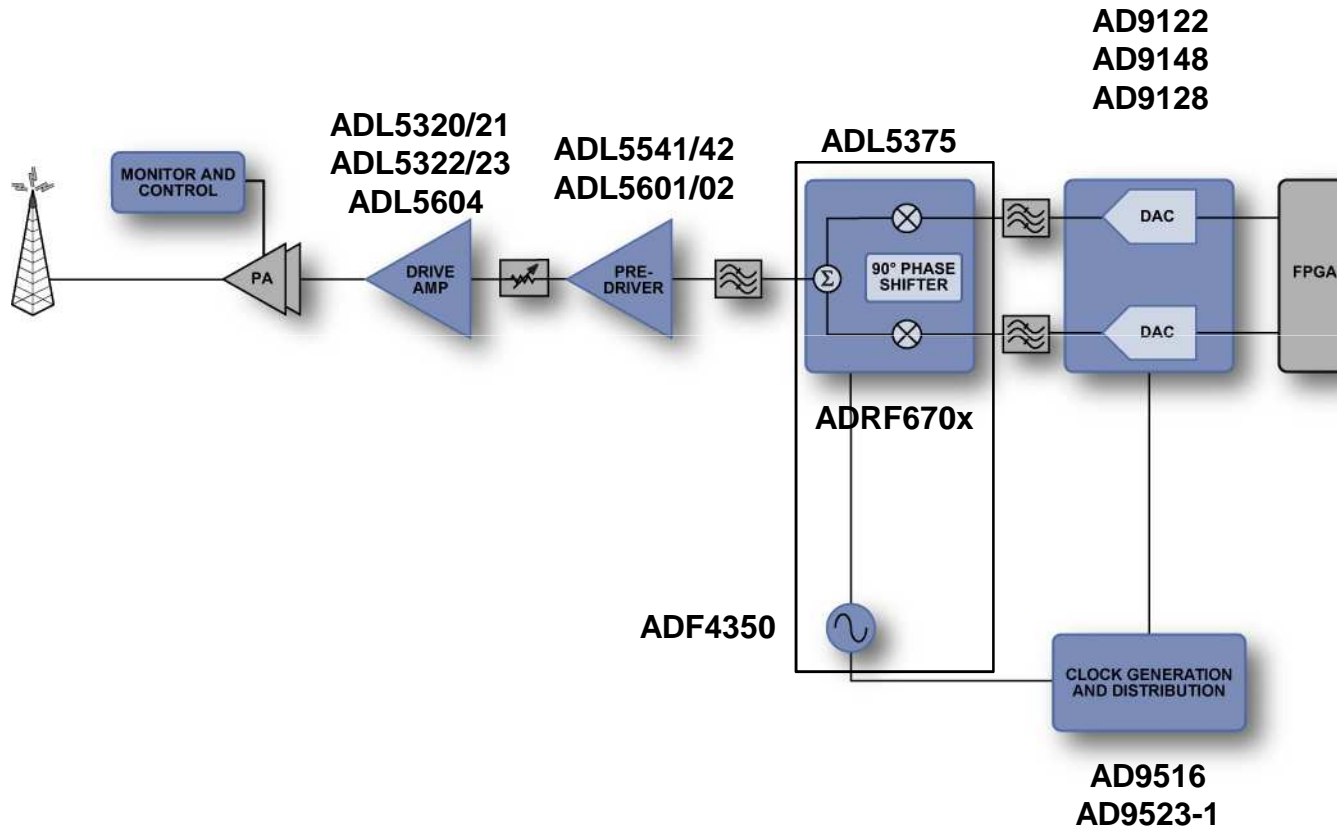




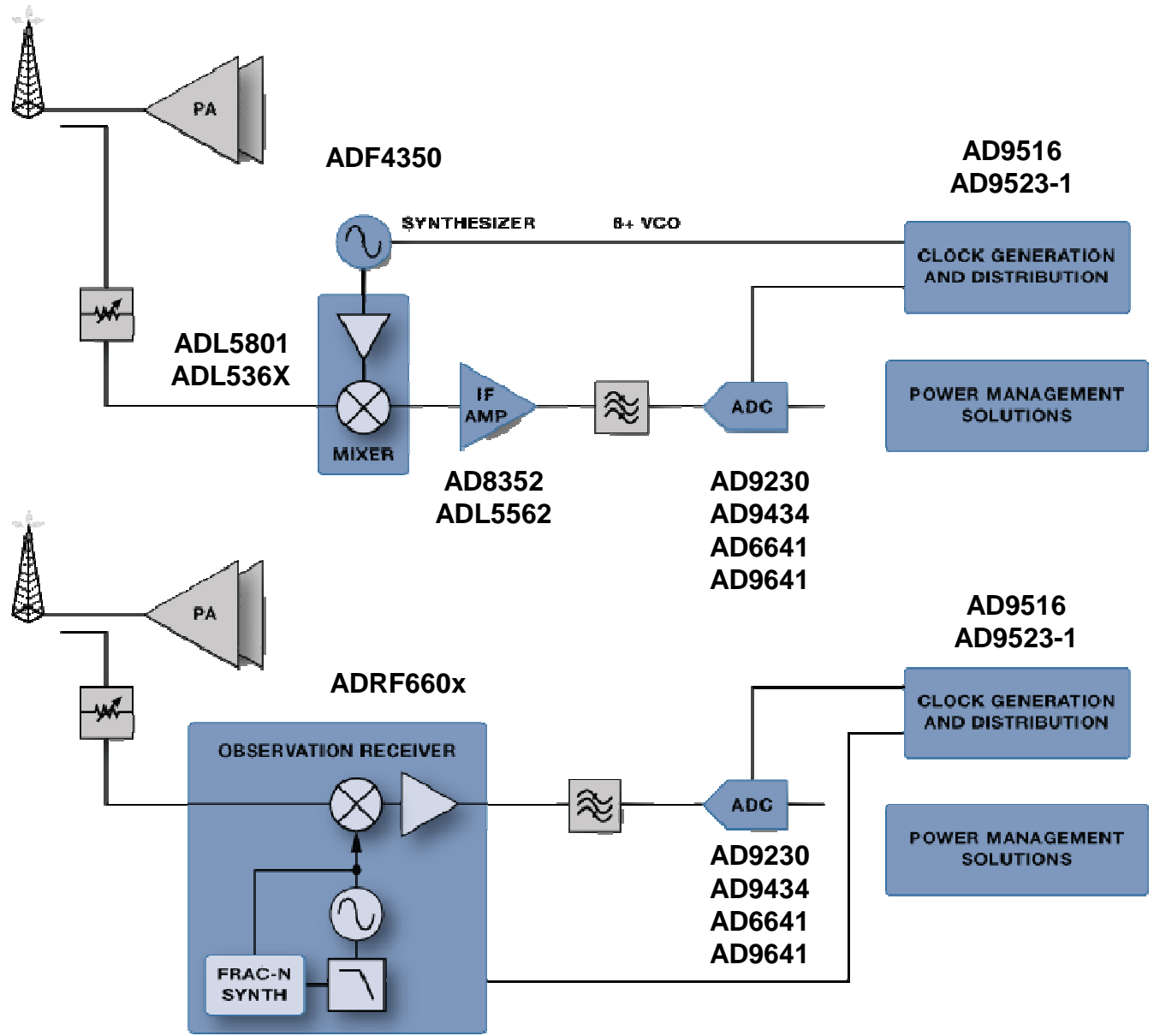
TX PATH

PARTS SELECTION AND RECOMMENDED SIGNAL CHAINS

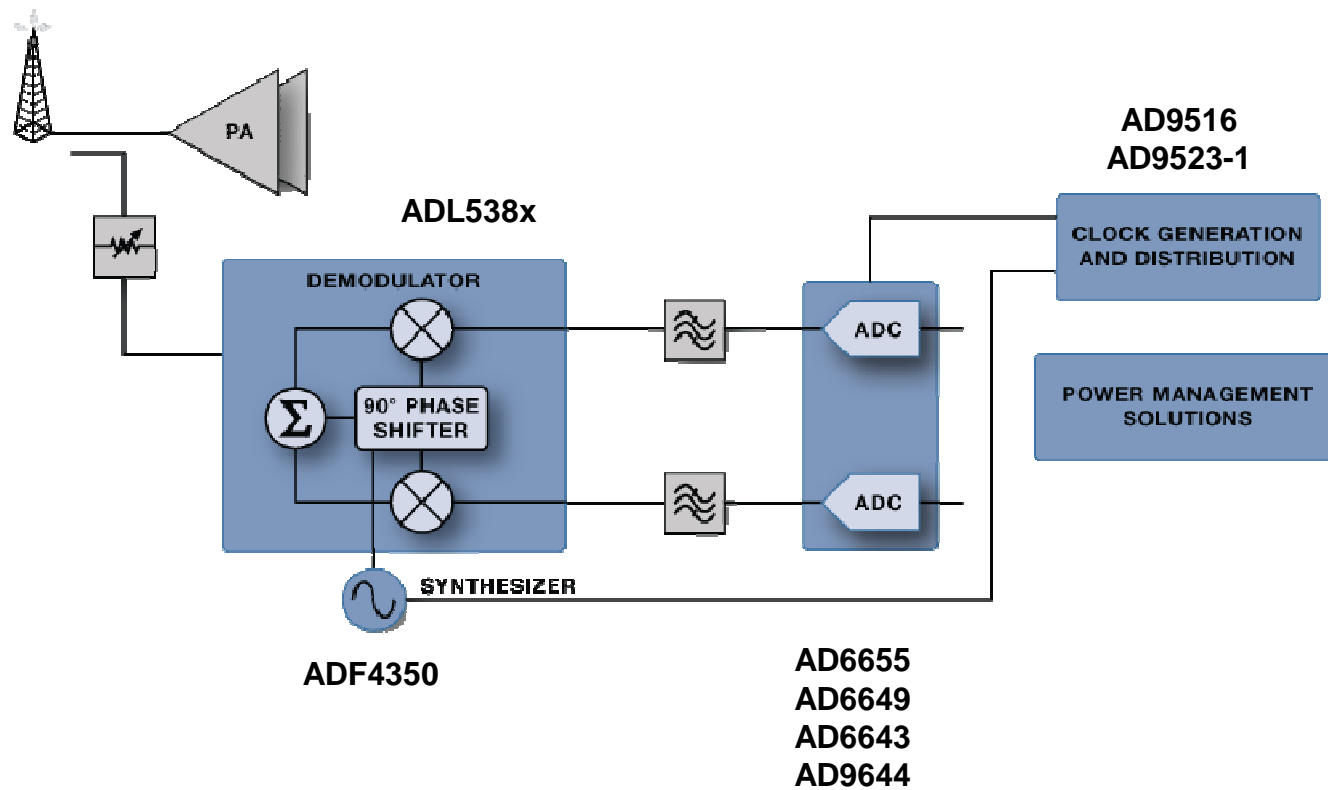
ZIF/CIF Transmitter Signal Chain



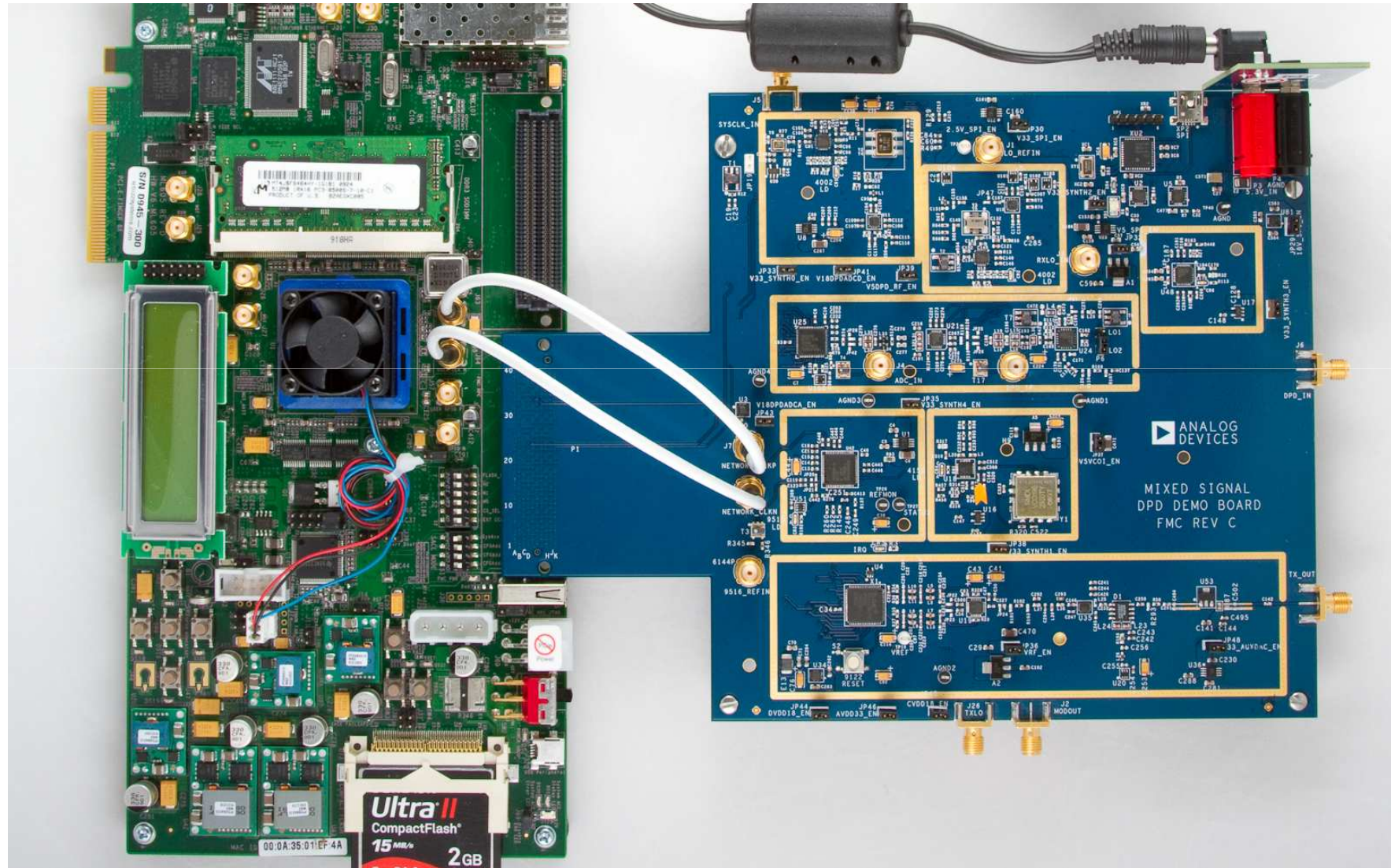
DPD Observation Path Options



DPD Observation Path Options



Xilinx ML605 + ADI MSDPD (FMC Interface)

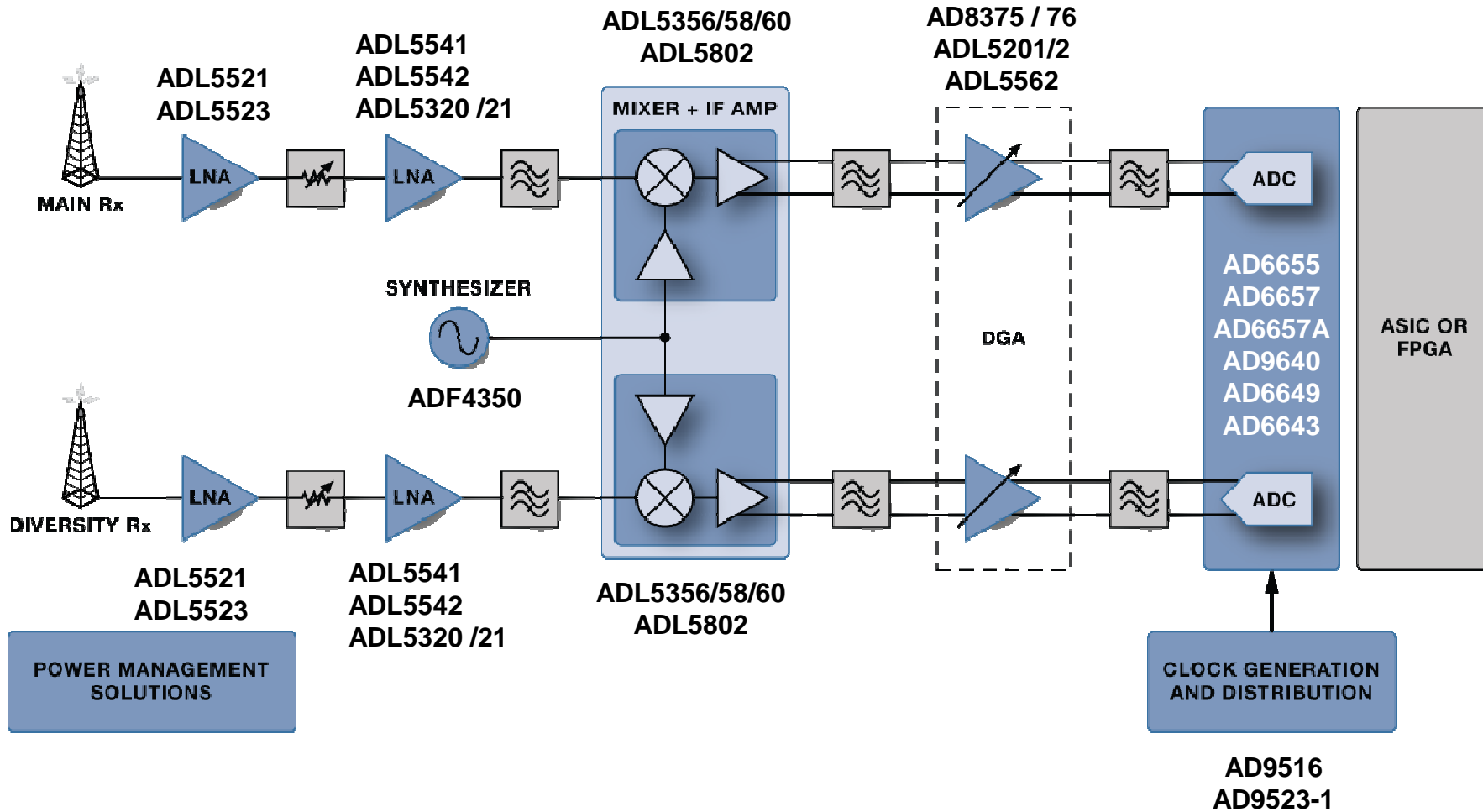




RX PATH

PARTS SELECTION AND RECOMMENDED SIGNAL CHAINS

Multi-carrier High IF Sampling Rx



ZIF Evaluation Platform

