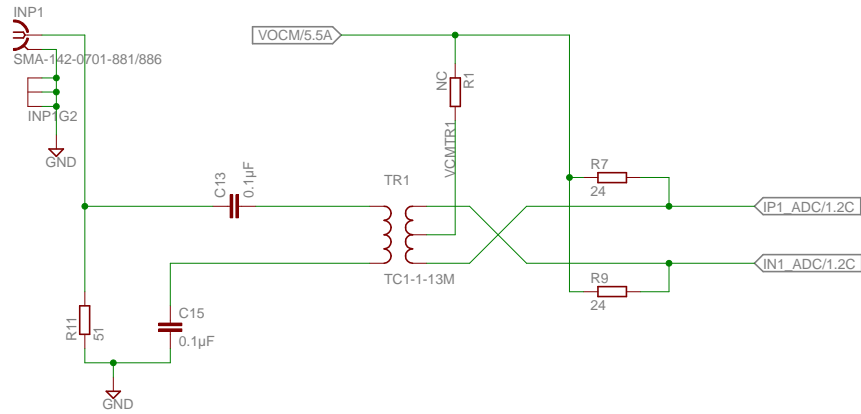


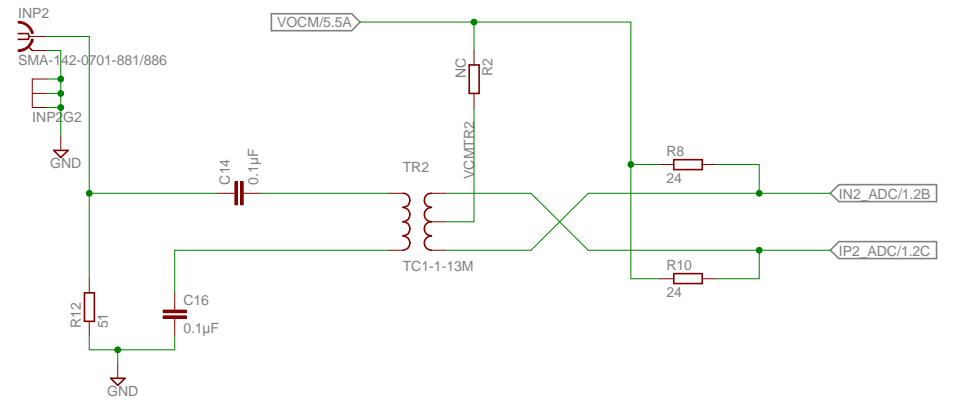
ADC and decoupling

EVAL01-HMCAD1520-SOCKET	
130-00682-00	Rev A
ASEB-301	
09.11.2012 10:32:51	
Sheet: 1/5	

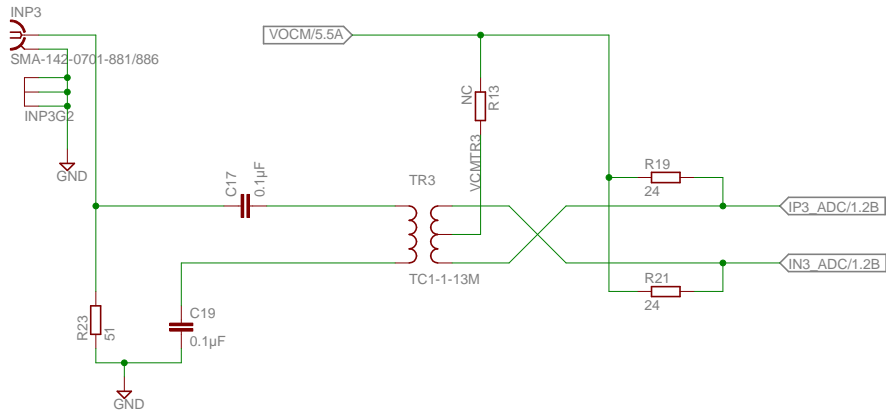
Input Channel 1



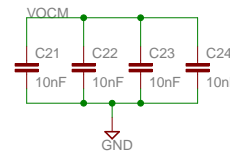
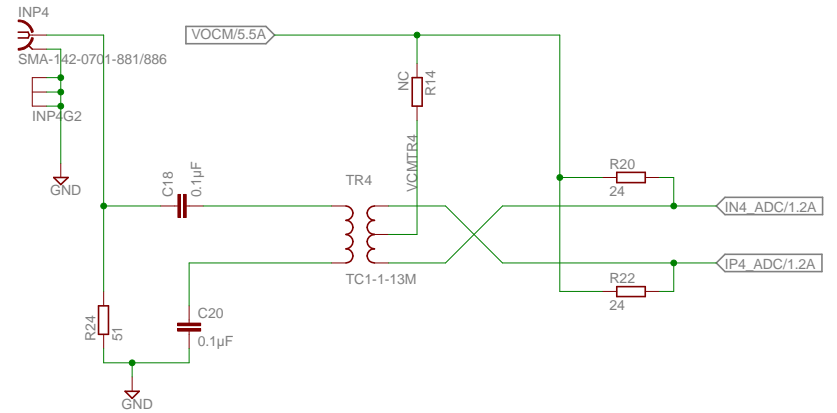
Input Channel 2



Input Channel 3



Input Channel 4



Analog Input Buffer

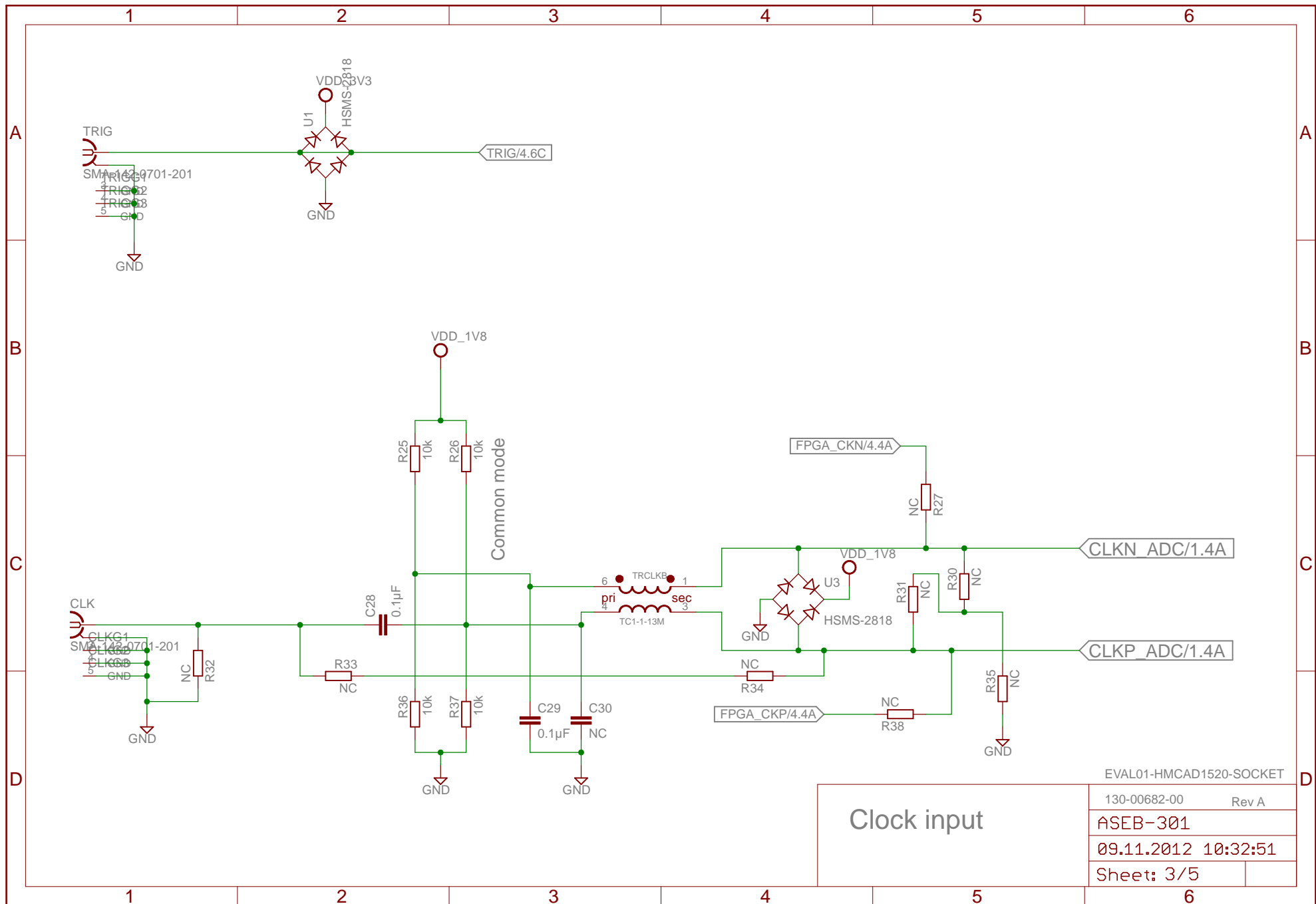
EVAL01-HMCAD1520-SOCKET

130-00682-00 Rev A

A5EB-301

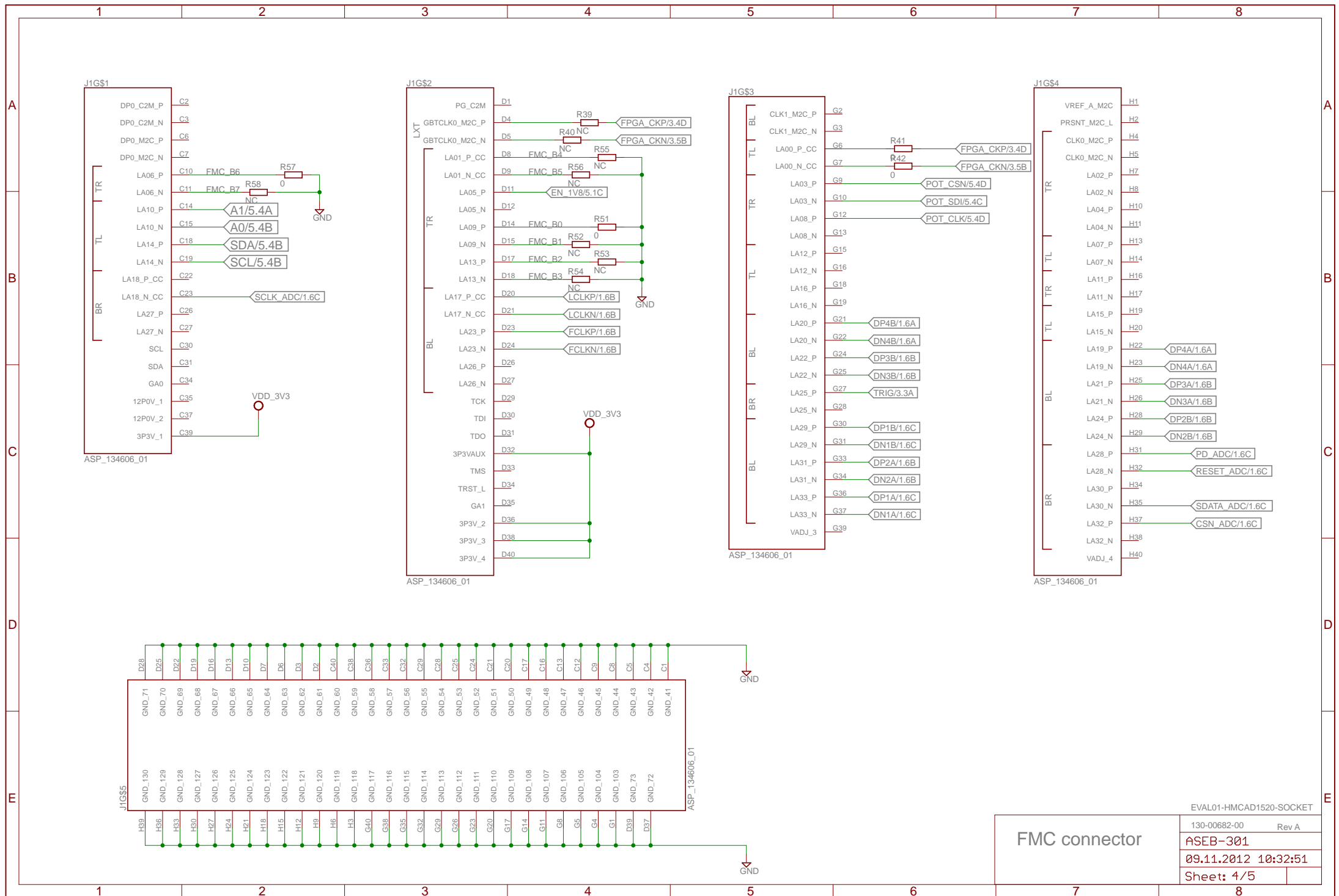
09.11.2012 10:32:51

Sheet: 2/5

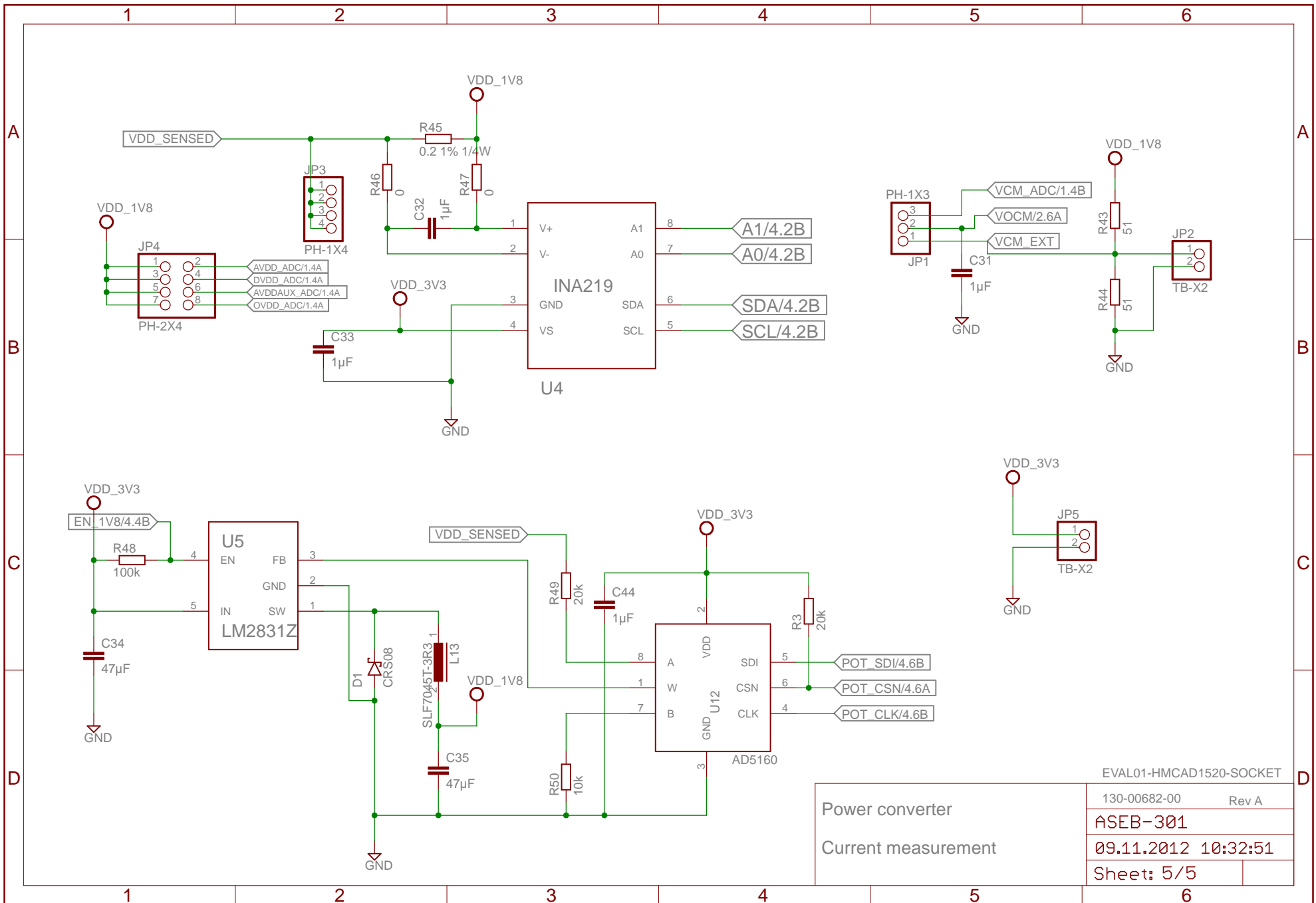


Clock input

EVAL01-HMCAD1520-SOCKET	
130-00682-00	Rev A
ASEB-301	
09.11.2012 10:32:51	
Sheet: 3/5	



FMC connector		EVAL01-HMCAD1520-SOCKET	
		130-00682-00	Rev A
		ASEB-301	
		09.11.2012 10:32:51	
		Sheet: 4/5	



Power converter
Current measurement

EVAL01-HMCAD1520-SOCKET	
130-00682-00	Rev A
ASEB-301	
09.11.2012 10:32:51	
Sheet: 5/5	