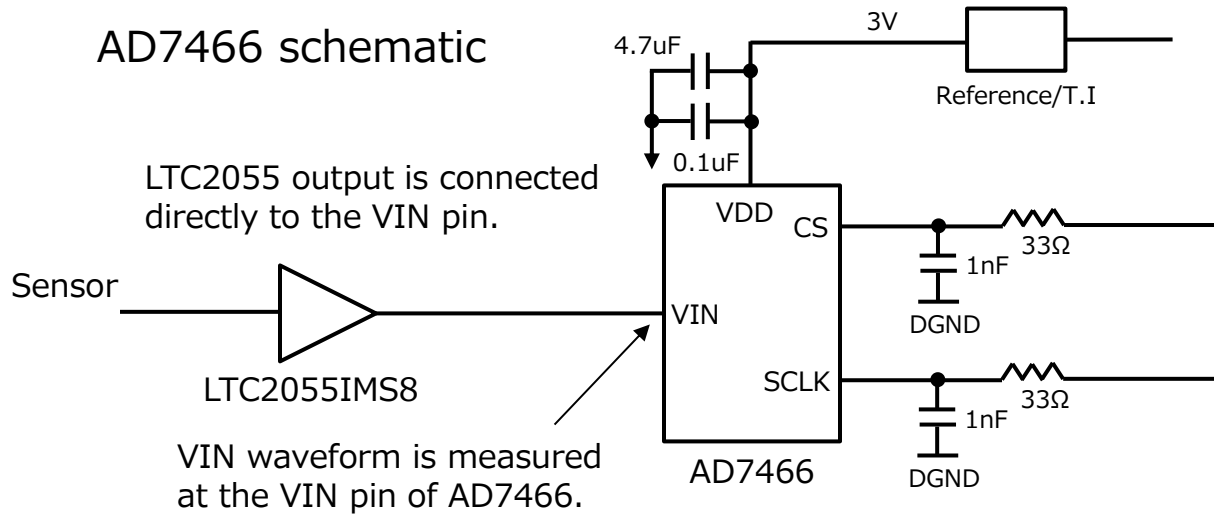


AD7466 schematic



VIN voltage drops about 400mV at every CS falling edge. No voltage drop at rising edge.

VIN voltage drops about 20~30mV at every SCLK third falling edge.

