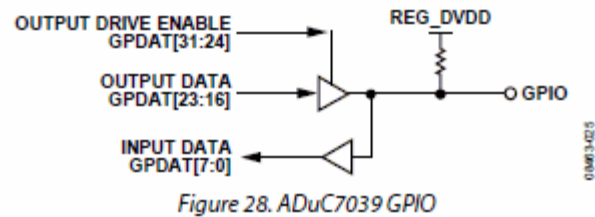
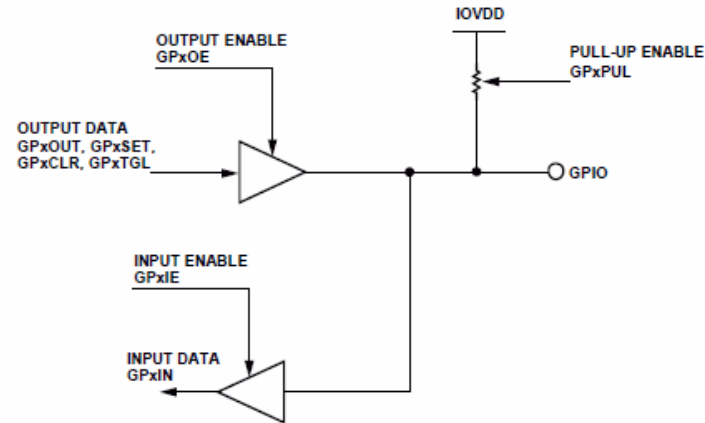


ADuCM33x: Could you please provide GPIO block diagram?

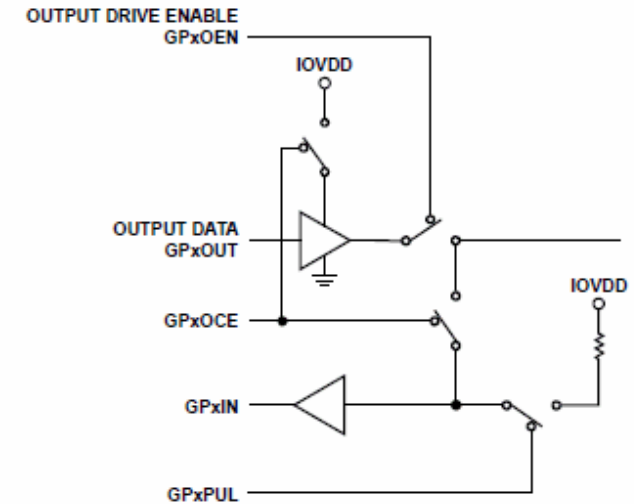
I found GPIO Block Diagram below devices.



Extract from
ADuC7039 Datasheet



Extract from
ADuCM320 UG-498



Extract from
ADuCM360 UG-367

We need manufacturer's **official block diagram**.