

x = 0.059KHz y = 1.152mV/Hz<sup>1/2</sup>

**V(noise)** [X]

Interval Start: 100mHz

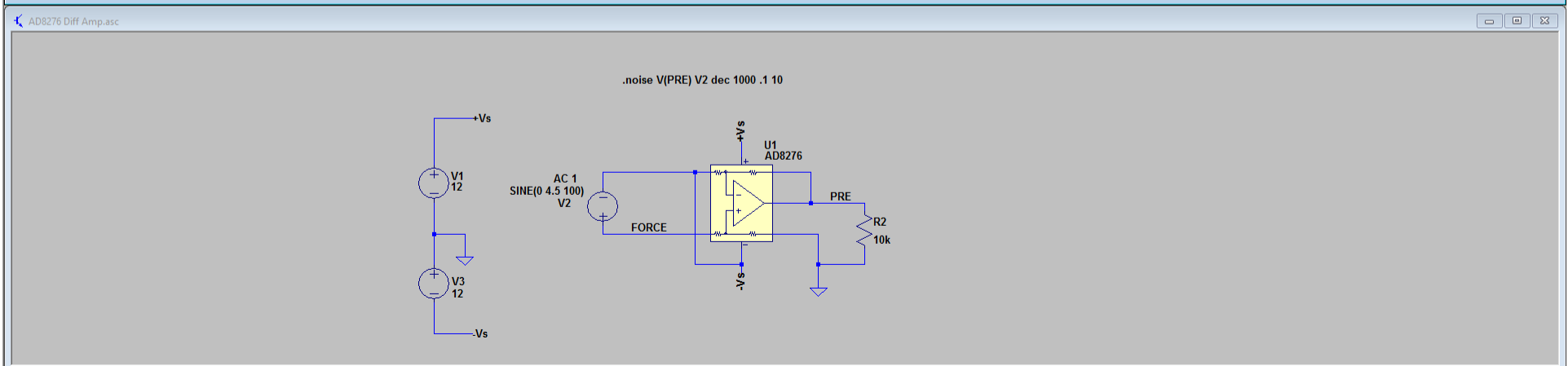
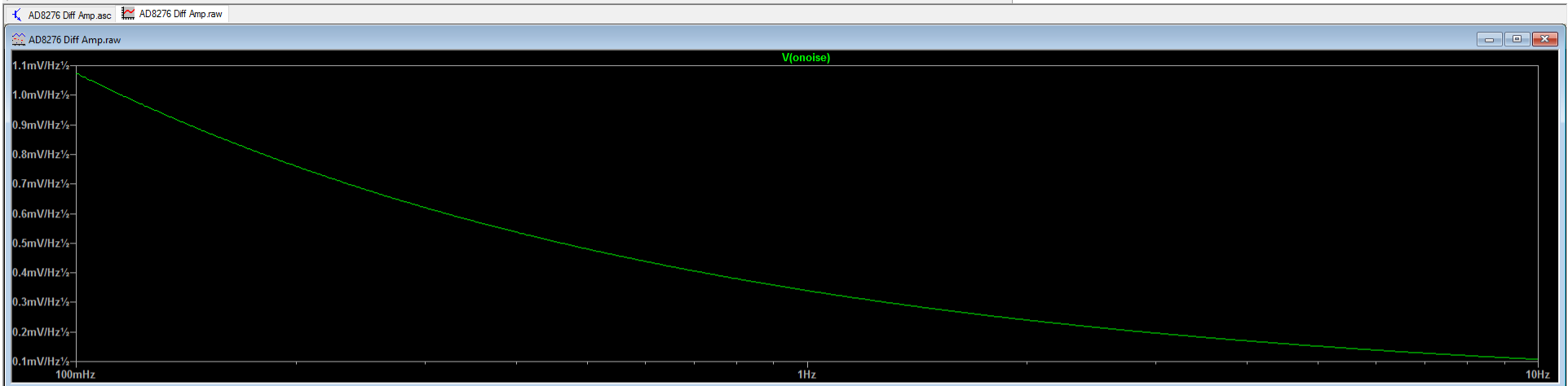
Interval End: 10Hz

Total RMS noise: 728.68μV

LTspice XVII - AD8276 Diff Amp.raw

File View Plot Settings Simulation Tools Window Help

[Icons: Save, Print, Undo, Redo, Zoom, etc.]



x = 1.352Hz y = 1.111mV/Hz<sup>1/2</sup>