

***THIS DOCUMENT IS FOR MAINTENANCE  
PURPOSES ONLY AND IS NOT  
RECOMMENDED FOR NEW DESIGNS***

# SL532

## LOW PHASE SHIFT LIMITER

The SL532C is a monolithic integrated circuit designed for use in wideband limiting IF strips. It offers a bandwidth of over 400MHz and very low phase shift with amplitude. The small signal gain is 12dB and the limited output is 1V peak to peak. The use of a 5GHz IC process has produced a circuit which gives less than 1° phase shift when overdriven by 12dB. The amplifier has internal decoupling capacitors to ease the construction of cascaded strips and the number of external components required has been minimised.

The device is also available as the DES9052101/AC/CMAR which has guaranteed operation over the full Military Temperature Range and is screened in accordance with the DESC approved Standardised Military Drawing Data is available separately.

### FEATURES

- Low Phase Shift V. Amplitude
- Wide band width
- Low External Component Count

### APPLICATIONS

- Phase Recovery Strips in Radar and ECM Systems (e.g. Doppler)
- Limiting Amps for SAW Pulse Compression Systems
- Phase Monopulse Radars
- Phase Array Radars
- Low Noise Oscillators

### ABSOLUTE MAXIMUM RATINGS

Supply voltage	+15 volts
Storage temperature range	-55°C to +150°C
Operating temperature range	-55°C to +125°C

### CIRCUIT DESCRIPTION

The SL532 uses a long-tailed pair limiting amplifier which combines low phase shift with a symmetrical limiting characteristic. This is followed by a simple emitter follower output stage. Each stage of a strip is capable of driving to full output a succeeding SL532 but a buffer amplifier is needed to drive lower impedance loads. No external decoupling capacitors are normally required but for use below 10MHz extra decoupling can be added on pins 1 and 5. Bias for the long-tailed pair is provided by connecting the bias (pin 2) to the decoupled supply (pin 1).

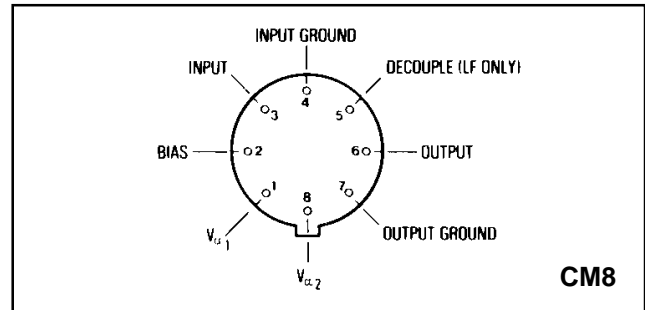


Fig.1 Pin connections

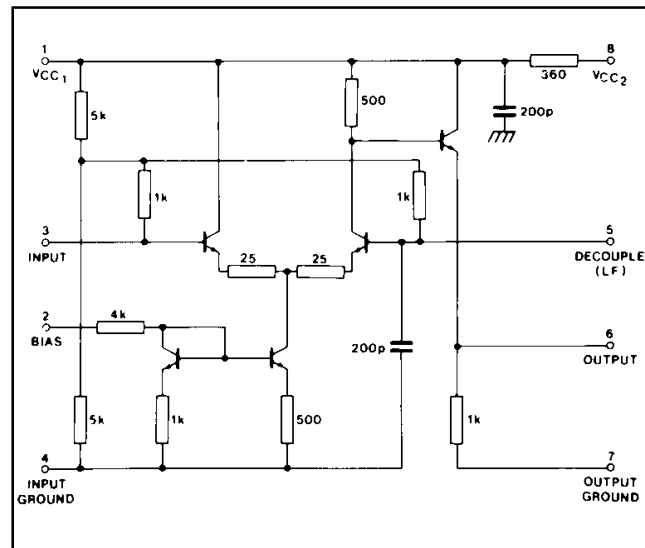


Fig.2 Circuit diagram

### ORDERING INFORMATION

**SL532 C CM**  
**5962-90521 (SMD)**

**ELECTRICAL CHARACTERISTICS**

These characteristics are guaranteed over the following conditions (unless otherwise stated):

Temperature (ambient) 25°C ± 2°C  
 Frequency 60MHz : R<sub>L</sub> = 1kΩ / <5pF : V<sub>IN</sub> = -30dBm  
 V<sub>CC</sub> = +9.0V : R<sub>s</sub> = 50Ω

Characteristic	Value			Units	Conditions
	Min.	Typ.	Max.		
Small signal voltage gain	11	12.8	14	dB	f = 150MHz
Small signal voltage gain		12.5		dB	
-1dB compression point		-10		dBm	
Limited output voltage	1.0	1.15	14	V p-p	V <sub>IN</sub> = +10dBm
Limited output voltage		1.10		V p-p	f = 150MHz
Upper cut-off frequency	250			MHz	-3dB w.r.t. 60MHz
Lower cut-off frequency			10	MHz	May be extended by decoupling pin 5
Supply current	6	8.5	11	mA	No signal
Phase variation with signal level		±1	±3	Degrees	-30dBm to +10dBm
		±1.5		Degrees	-30dBm to 0dBm. f = 150MHz
Absolute phase shift input to output		-21		Degrees	f = 60MHz
		-34		Degrees	f = 100MHz
		-43		Degrees	f = 150MHz
		-69		Degrees	f = 200MHz
Input impedance		1kΩ/2.5pF			
Output impedance		30Ω			
Noise figure		7		dB	400Ω source impedance. f = 60MHz
Gain variation with temperature		±2		dB	-40°C to 85°C
Phase variation with temperature		±0.5		Degrees	-40°C to +85°C at any level between -30dBm to +10dBm
Limited output voltage variation with temperature		±0.05		V p-p	V <sub>IN</sub> = +10dBm -40°C to +85°C

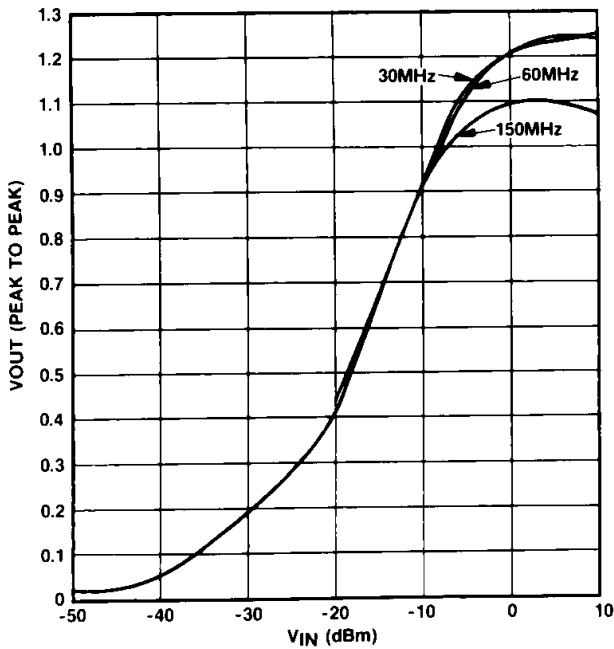


Fig.3 Transfer characteristic of a single stage

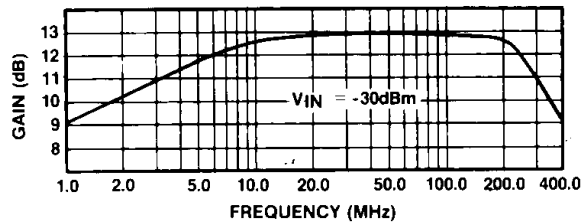


Fig.4 Gain/frequency curve of a typical device

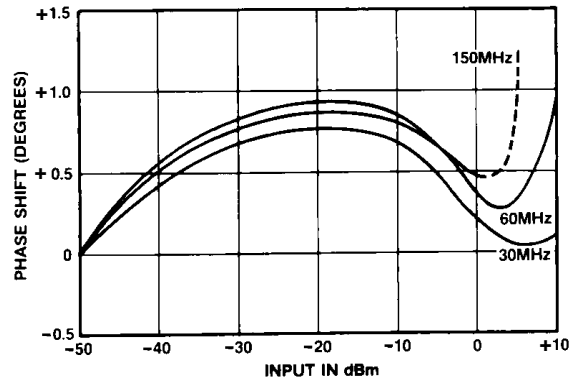


Fig.5 Phase change with input level

**TYPICAL APPLICATION**

**Five stage strip**

Input signal for full limiting	300 $\mu$ V rms
	-57dBm
Limited output	1V p-p
Phase shift ( $V_{IN} - 57 \rightarrow +10$ dBm)	$\pm 3^\circ$ typ.

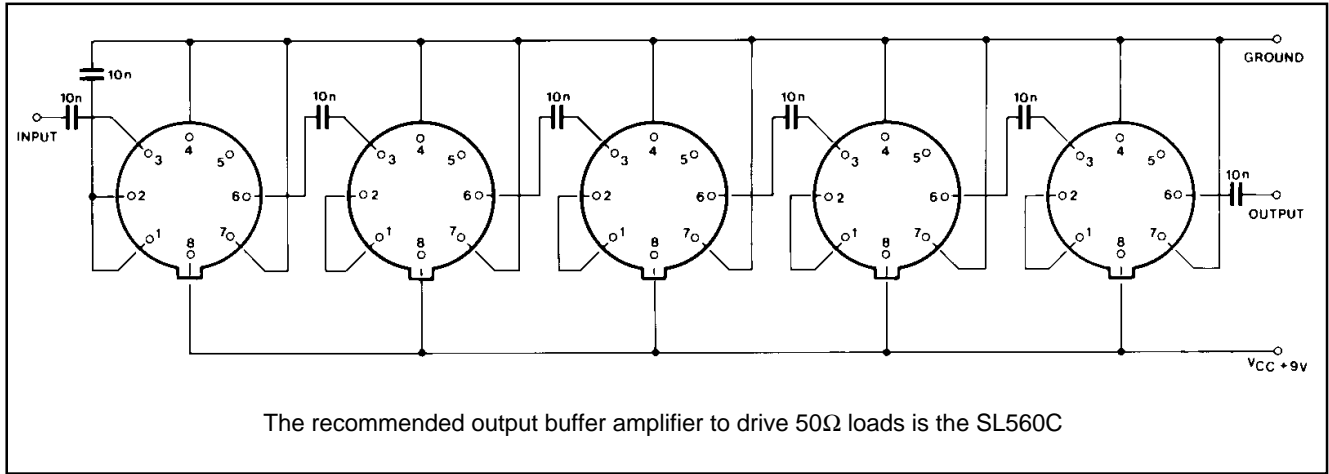


Fig.6 Five stage IF strip

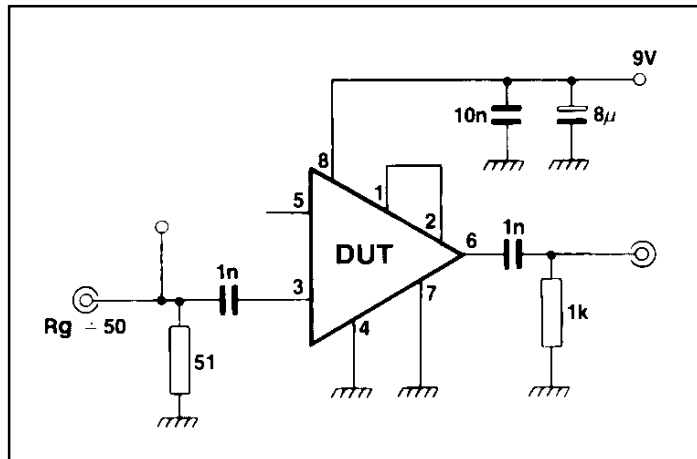


Fig.7 SL532 test circuit



HEADQUARTERS OPERATIONS  
**GEC PLESSEY SEMICONDUCTORS**  
Cheney Manor, Swindon,  
Wiltshire SN2 2QW, United Kingdom.  
Tel: (0793) 518000  
Fax: (0793) 518411

**GEC PLESSEY SEMICONDUCTORS**  
P.O. Box 660017  
1500 Green Hills Road,  
Scotts Valley, California 95067-0017,  
United States of America.  
Tel: (408) 438 2900  
Fax: (408) 438 5576

---

CUSTOMER SERVICE CENTRES

- **FRANCE & BENELUX** Les Ulis Cedex Tel: (1) 64 46 23 45 Fax : (1) 64 46 06 07
- **GERMANY** Munich Tel: (089) 3609 06-0 Fax : (089) 3609 06-55
- **ITALY** Milan Tel: (02) 66040867 Fax: (02) 66040993
- **JAPAN** Tokyo Tel: (03) 5276-5501 Fax: (03) 5276-5510
- **NORTH AMERICA** Scotts Valley, USA Tel (408) 438 2900 Fax: (408) 438 7023.
- **SOUTH EAST ASIA** Singapore Tel: (65) 3827708 Fax: (65) 3828872
- **SWEDEN** Stockholm, Tel: 46 8 702 97 70 Fax: 46 8 640 47 36
- **UK, EIRE, DENMARK, FINLAND & NORWAY**  
Swindon Tel: (0793) 518510 Fax : (0793) 518582

These are supported by Agents and Distributors in major countries world-wide.

© GEC Plessey Semiconductors 1994

---

This publication is issued to provide information only which (unless agreed by the Company in writing) may not be used, applied or reproduced for any purpose nor form part of any order or contract nor to be regarded as a representation relating to the products or services concerned. No warranty or guarantee express or implied is made regarding the capability, performance or suitability of any product or service. The Company reserves the right to alter without prior knowledge the specification, design or price of any product or service. Information concerning possible methods of use is provided as a guide only and does not constitute any guarantee that such methods of use will be satisfactory in a specific piece of equipment. It is the user's responsibility to fully determine the performance and suitability of any equipment using such information and to ensure that any publication or data used is up to date and has not been superseded. These products are not suitable for use in any medical products whose failure to perform may result in significant injury or death to the user. All products and materials are sold and services provided subject to the Company's conditions of sale, which are available on request.



**For more information about all Zarlink products  
visit our Web Site at  
[www.zarlink.com](http://www.zarlink.com)**

Information relating to products and services furnished herein by Zarlink Semiconductor Inc. trading as Zarlink Semiconductor or its subsidiaries (collectively "Zarlink") is believed to be reliable. However, Zarlink assumes no liability for errors that may appear in this publication, or for liability otherwise arising from the application or use of any such information, product or service or for any infringement of patents or other intellectual property rights owned by third parties which may result from such application or use. Neither the supply of such information or purchase of product or service conveys any license, either express or implied, under patents or other intellectual property rights owned by Zarlink or licensed from third parties by Zarlink, whatsoever. Purchasers of products are also hereby notified that the use of product in certain ways or in combination with Zarlink, or non-Zarlink furnished goods or services may infringe patents or other intellectual property rights owned by Zarlink.

This publication is issued to provide information only and (unless agreed by Zarlink in writing) may not be used, applied or reproduced for any purpose nor form part of any order or contract nor to be regarded as a representation relating to the products or services concerned. The products, their specifications, services and other information appearing in this publication are subject to change by Zarlink without notice. No warranty or guarantee express or implied is made regarding the capability, performance or suitability of any product or service. Information concerning possible methods of use is provided as a guide only and does not constitute any guarantee that such methods of use will be satisfactory in a specific piece of equipment. It is the user's responsibility to fully determine the performance and suitability of any equipment using such information and to ensure that any publication or data used is up to date and has not been superseded. Manufacturing does not necessarily include testing of all functions or parameters. These products are not suitable for use in any medical products whose failure to perform may result in significant injury or death to the user. All products and materials are sold and services provided subject to Zarlink's conditions of sale which are available on request.

Purchase of Zarlink's I<sup>2</sup>C components conveys a licence under the Philips I<sup>2</sup>C Patent rights to use these components in and I<sup>2</sup>C System, provided that the system conforms to the I<sup>2</sup>C Standard Specification as defined by Philips.

Zarlink and the Zarlink Semiconductor logo are trademarks of Zarlink Semiconductor Inc.

Copyright 2001, Zarlink Semiconductor Inc. All Rights Reserved.

TECHNICAL DOCUMENTATION - NOT FOR RESALE

---