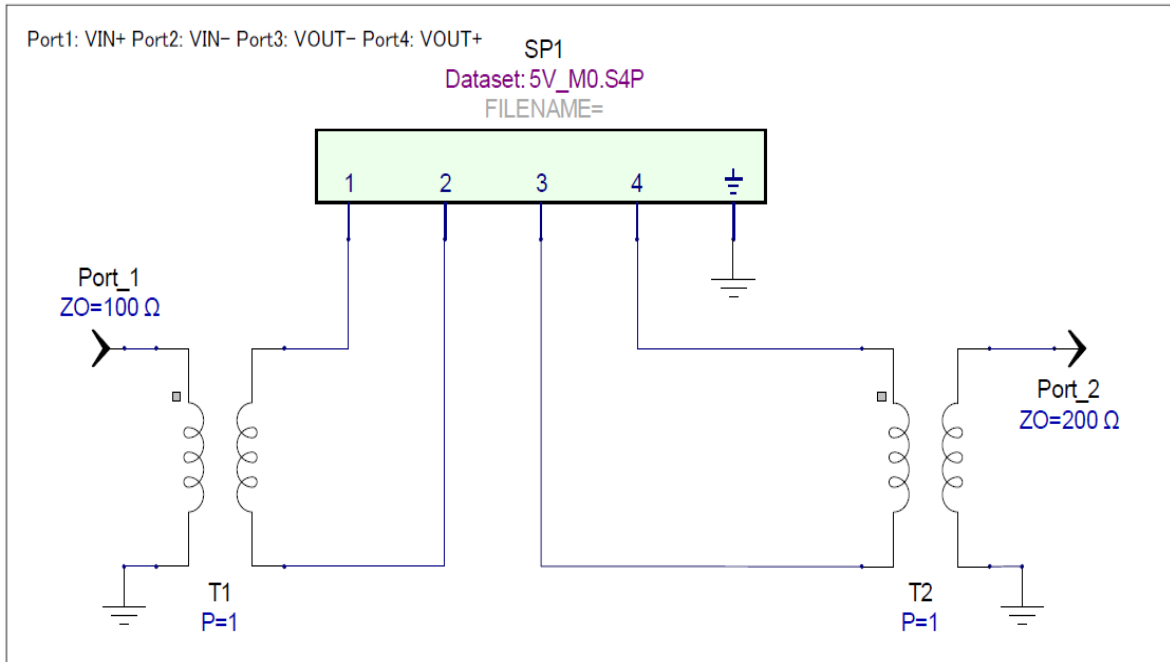


Simulation schematic



Simulation result

