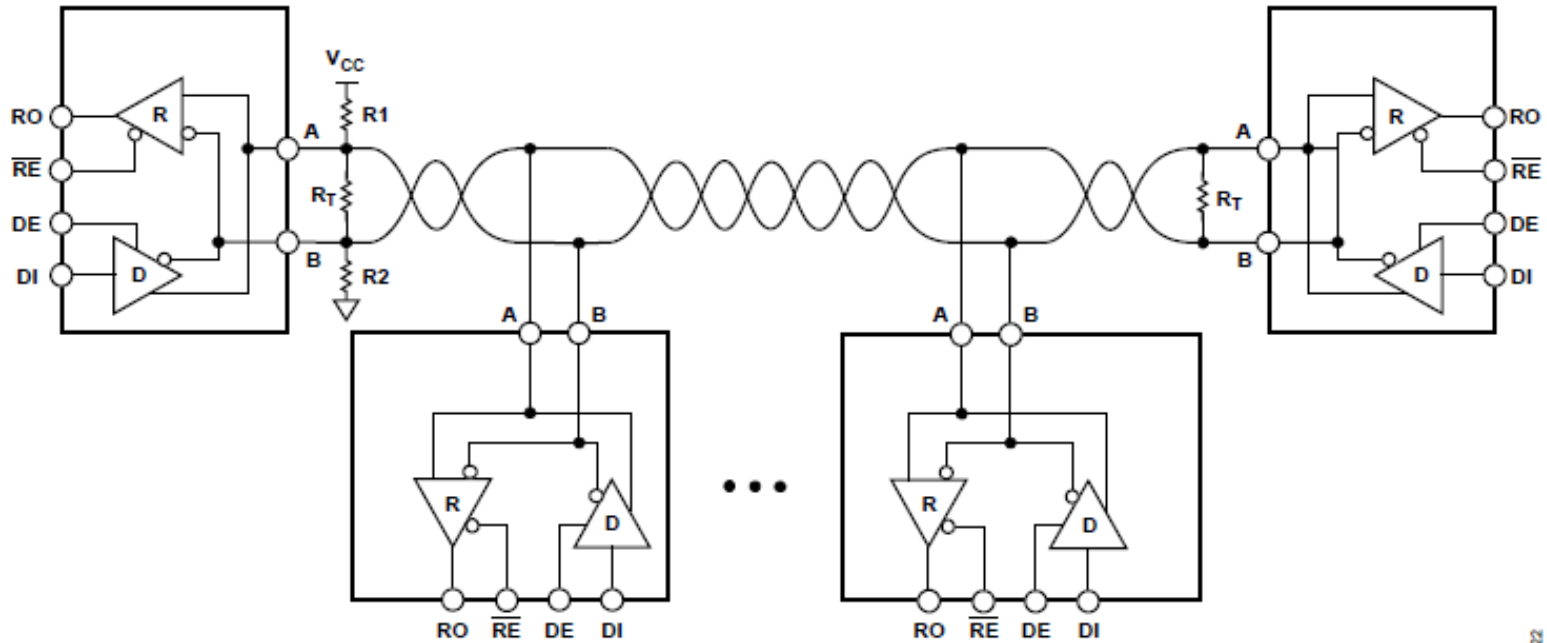


### RS-485, maximum 64 transceivers on the bus

Board\_A: Vcc=3.3V

Board\_B: Vcc=5V



Board\_D: Vcc=3.3V

Board\_C: Vcc=5V