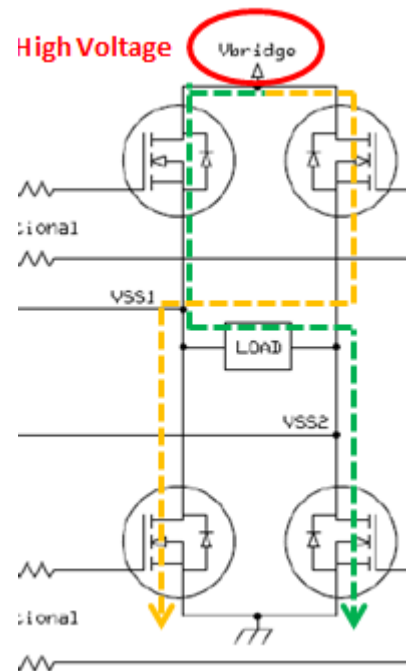
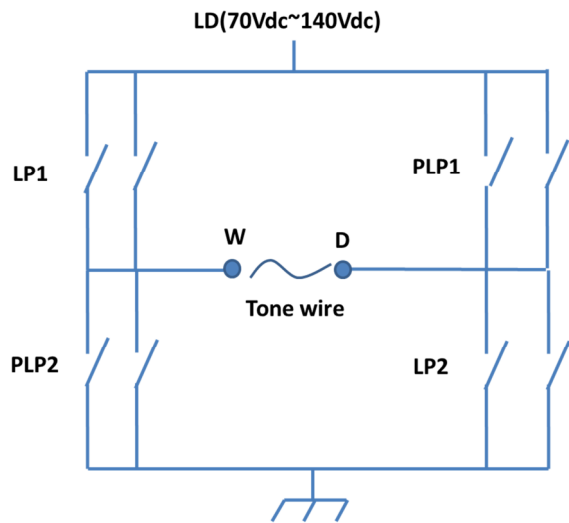
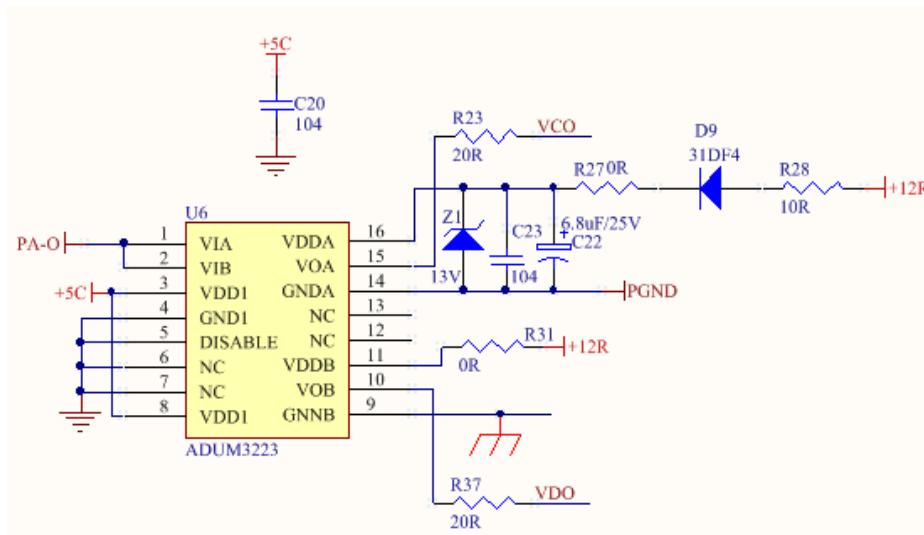


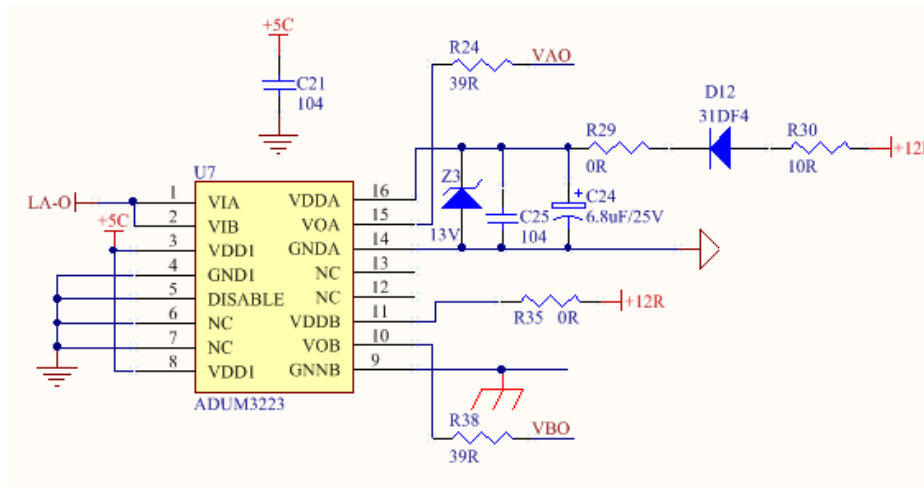
# Systematic structure & Working step

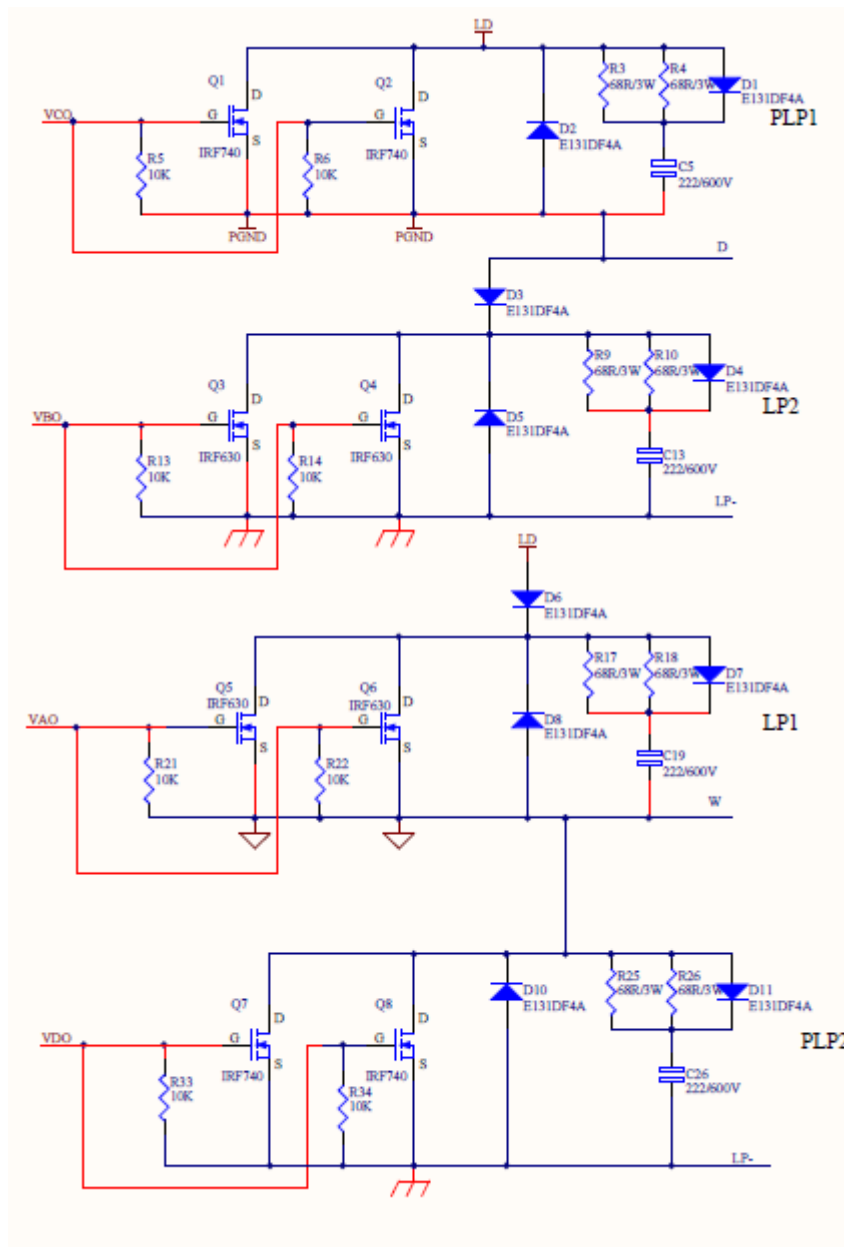


Last PLP isolator gate driver circuit



Last LP isolator gate driver circuit





## Test condition

LD: 70Vdc~140Vdc

U6 & U7: VDD1 voltage is 5Vdc

U6 & U7: VDDA & VDDB is 12Vdc

Switch frequency is 100kHz~85kHz.

Current has about 14A.

## Issue

**Step1.** Have application to system do test, but bring about to PLP2 MOSFET and PLP gate driver chip damage.

**Step2.** Change PLP2 MOSFET and PLP gate driver and retest to system, but identical step1 have PLP2 MOSFET and PLP2 gate driver damage and R30 is damage too.