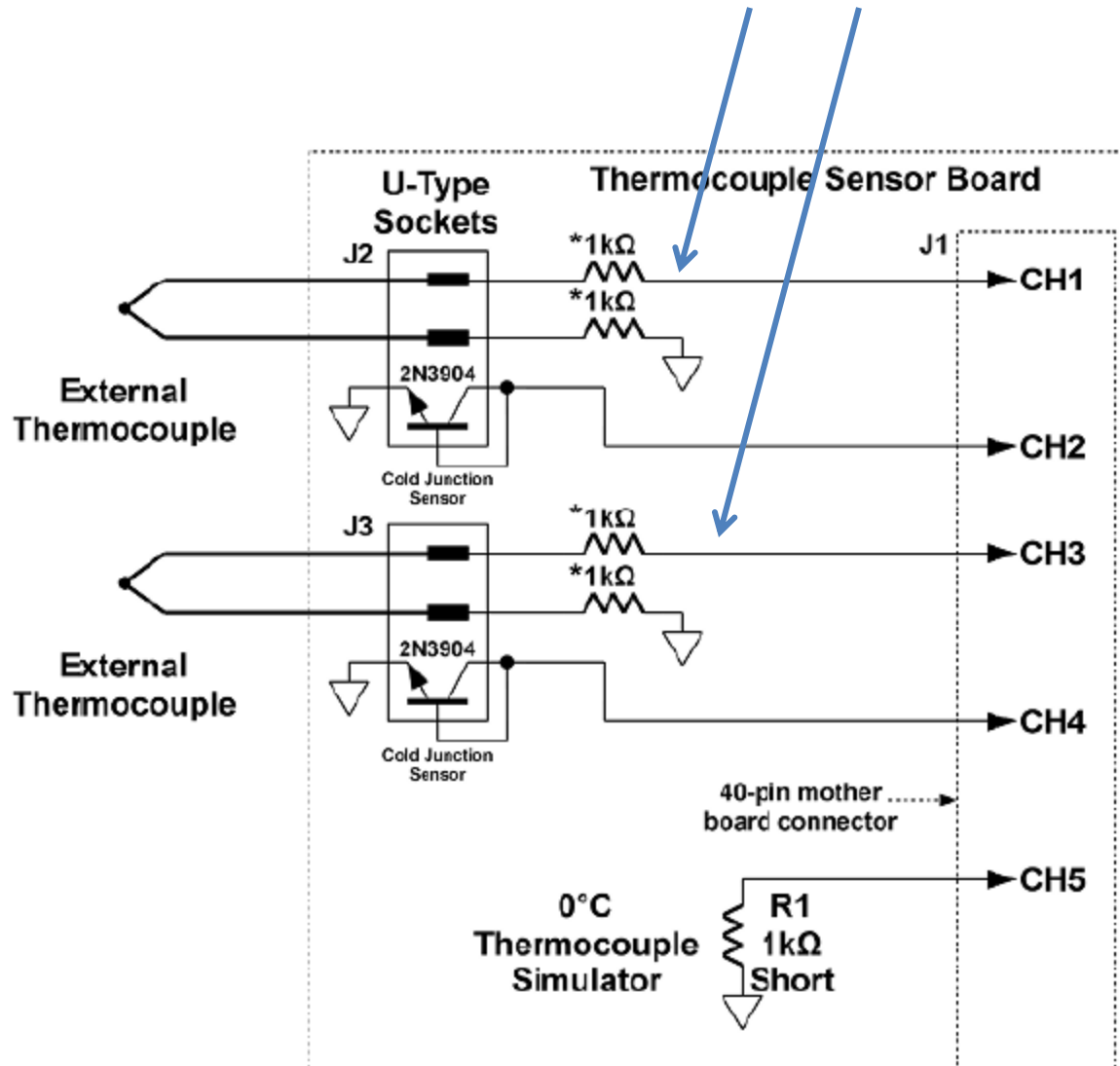


1. Any problem adding a LC noise filter?
2. Any problem adding a pull up resistor for disconnected line detection?



DC2296 Demo Manual Page 11, Figure 10