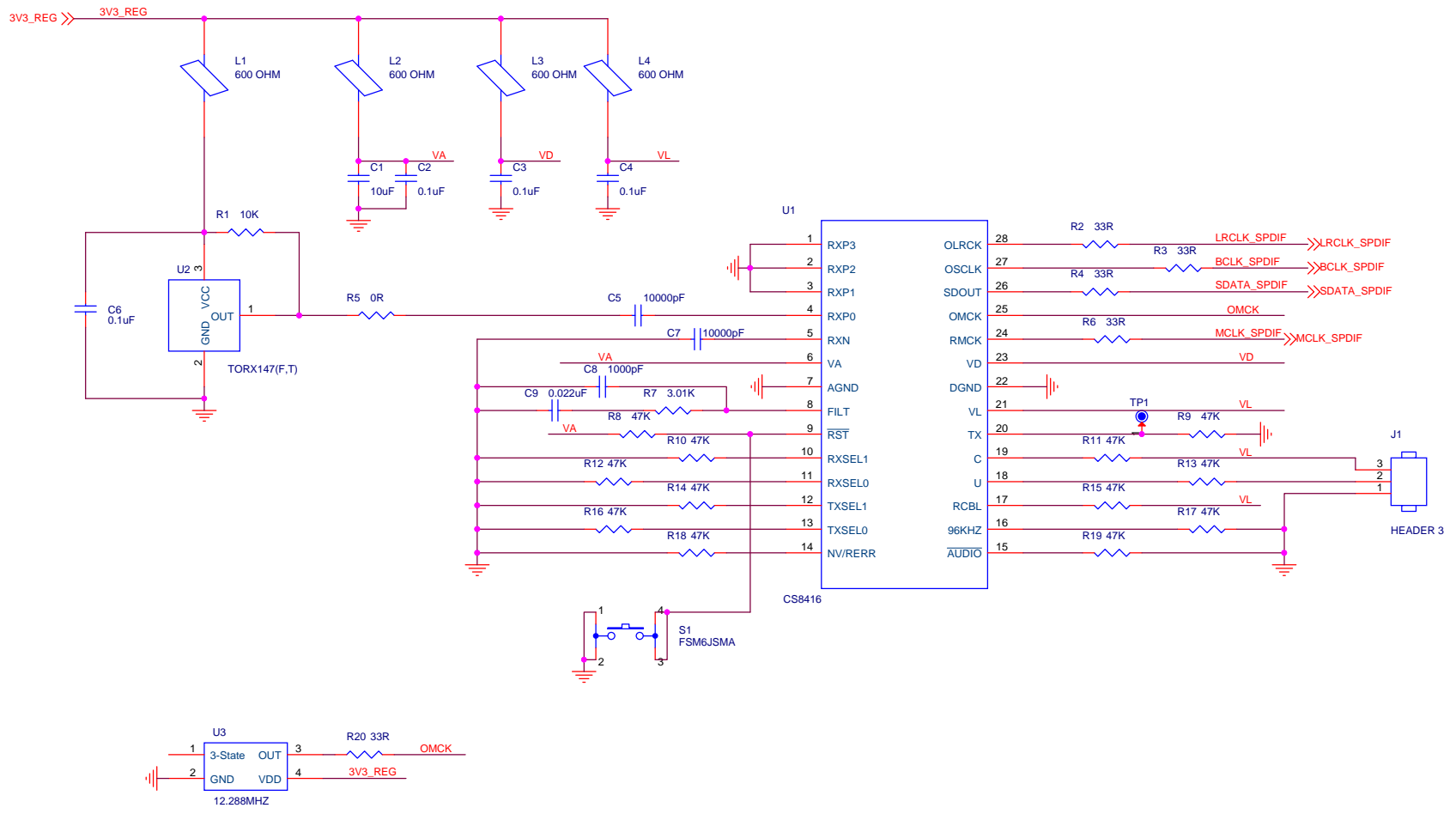
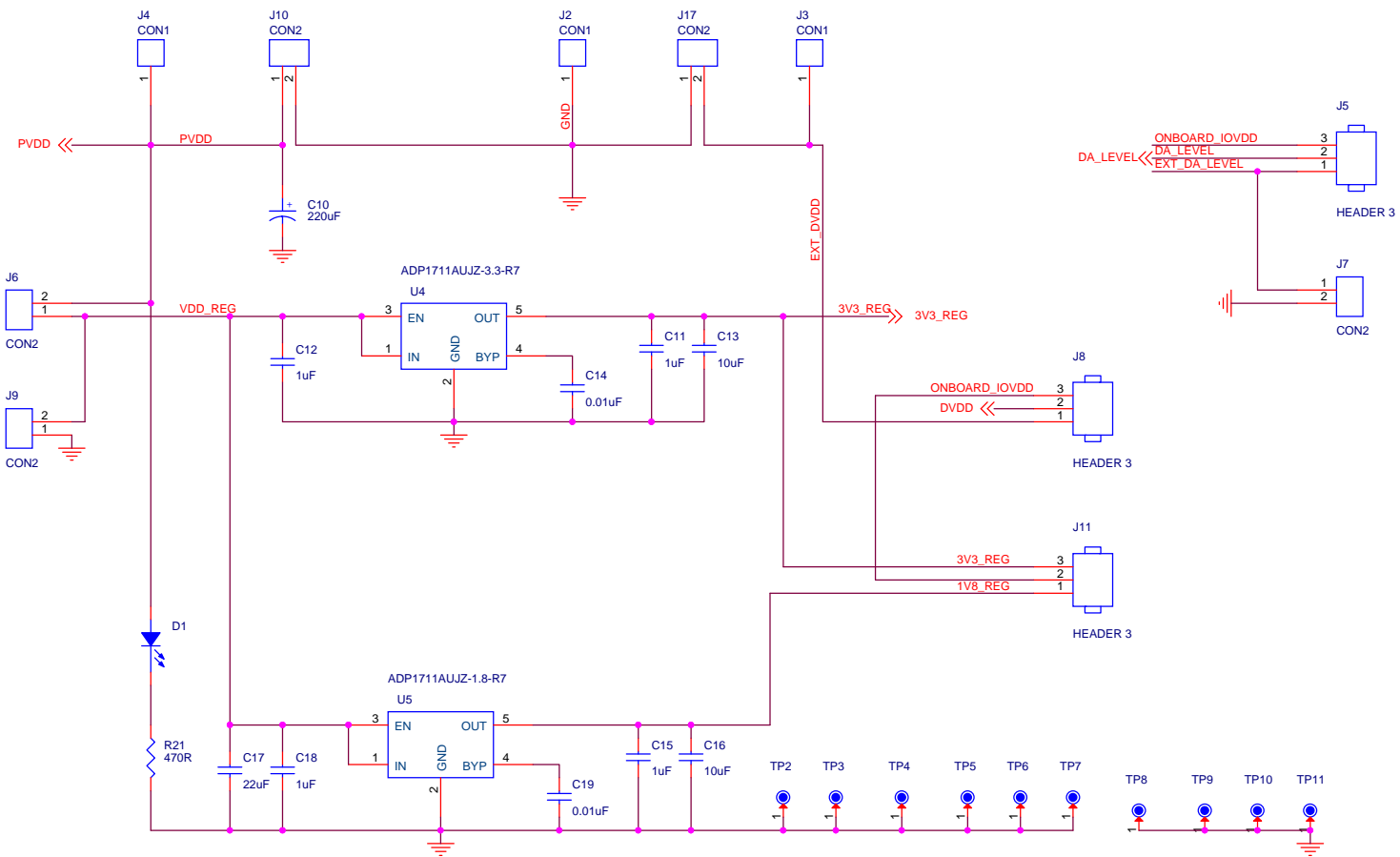
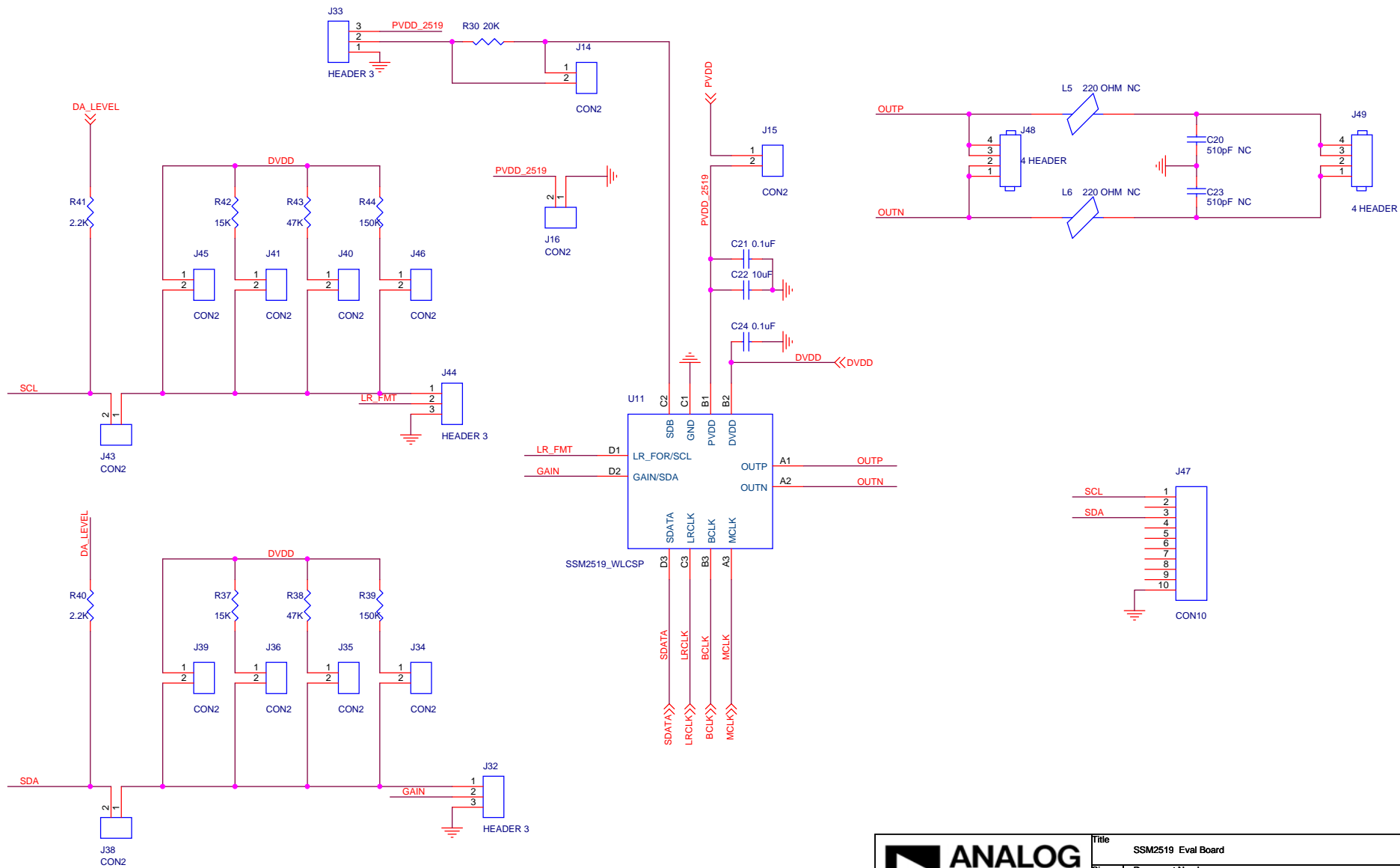
 ANALOG DEVICES		Title		SSM2519 Eval Board	
		Size	Document Number	Rev	
B		Block Diagram		A	
Date:		Wednesday, February 24, 2016		Sheet	1 of 5



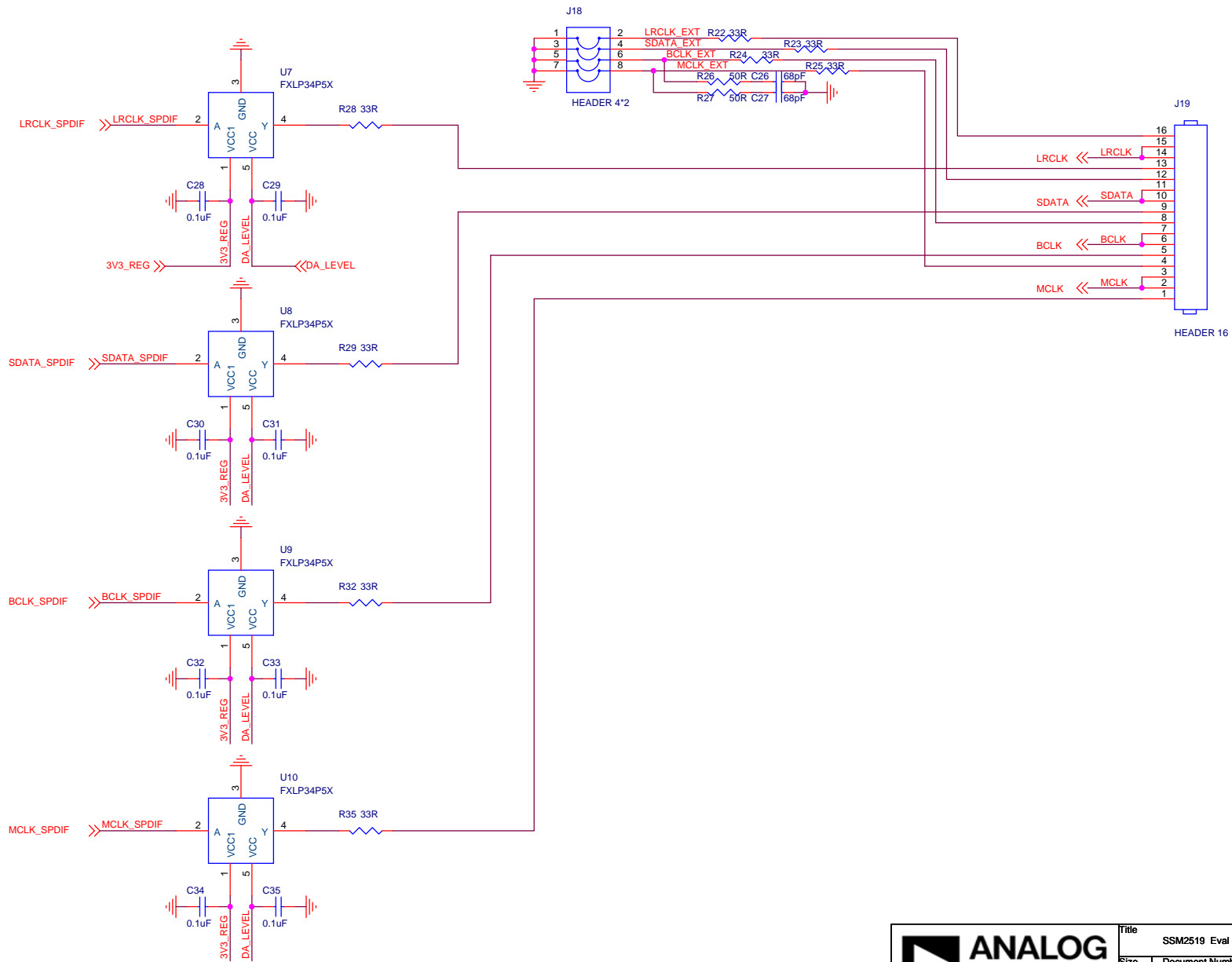
Title			SSM2519 Eval Board		
Size	Document Number		Rev		
B	Optical		A		
Date:	Wednesday, February 24, 2016		Sheet	2 of 5	



Title		SSM2519 Eval Board	
Size	Document Number	Rev	
B	Power	A	
Date:	Wednesday, February 24, 2016	Sheet	3 of 5



Title		SSM2519 Eval Board
Size	Document Number	Rev
B	SSM2519	A
Date:	Wednesday, February 24, 2016	Sheet 4 of 5



Title			SSM2519 Eval Board		
Size	Document Number		Rev		
B	Switch		A		
Date:	Wednesday, February 24, 2016	Sheet	5	of	5